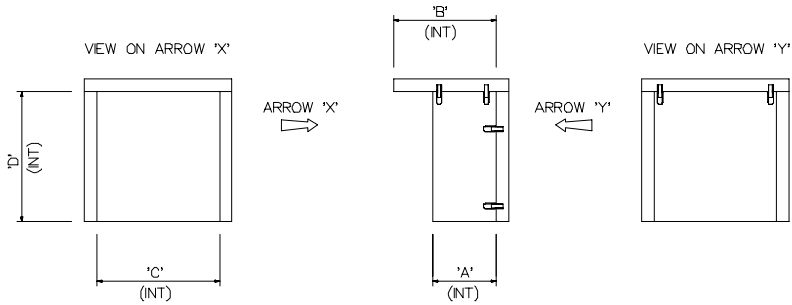
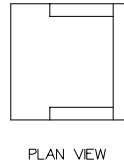
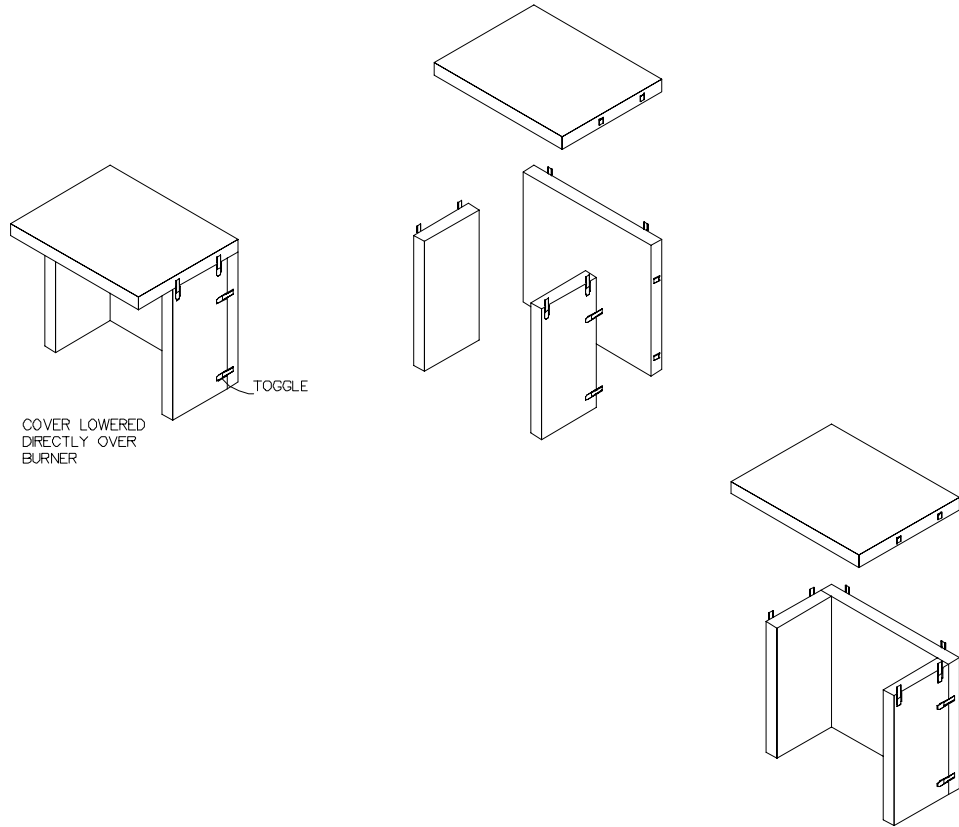


INSTALLATION DETAILS

TO INSTALL THE ACOUSTIC COVER, THE TWO SIDE PANELS AND THE REAR PANEL COME TOGETHER TO FORM A "U" SHAPE, AND ARE HELD TOGETHER WITH THE 4 No TOGGLES POSITIONED ON THE SIDE SECTIONS. THE ROOF SECTION IS THEN POSITIONED ON TOP OF THE COVER AND HELD DOWN BY THE 6 No TOGGLES.



'Q' = THICKNESS OF ACOUSTIC PANELS.

TYPE	'A' (INT)	'B' (INT)	'C' (INT)	'D' (INT)										Q	WEIGHT	RAL COLOUR No / FINISH
R40GS20 Booster	255	415	495	525	--	--	--	--	--	--	--	--	--	50	25 Kgs	RED (RAL No T.B.A.) SPRAY FINISH
SPECIAL	1000	415	650	600	--	--	--	--	--	--	--	--	--	50	25 Kgs	RED (RAL No T.B.A.) SPRAY FINISH
--	--	--	--	--	--	--	--	--	--	--	--	--	--	--	--	--
--	--	--	--	--	--	--	--	--	--	--	--	--	--	--	--	--
--	--	--	--	--	--	--	--	--	--	--	--	--	--	--	--	--

THE INFORMATION CONTAINED HEREON IS THE PROPERTY OF CONABEARE ACOUSTICS. NO REPRODUCTION OR UNAUTHORISED USE IN PART OR WHOLE SHALL BE MADE WITHOUT THE WRITTEN CONSENT OF CONABEARE ACOUSTICS

ISSUE	CHANGE DETAILS	DRAWN BY	DATE	APPD BY	DATE	MATERIAL	FINISH
1		TO	2-9-03			AS SHOWN	AS SHOWN
2		TO	01-03-01			AS SHOWN	AS SHOWN

SCALE AS SHOWN  
TOLERANCE : 0.25 mm UNLESS STATED  
DIMs: IN mm UNLESS STATED OTHERWISE

CLIENT	-	LOCATION	-
		<b>CONABEARE ACOUSTICS</b>	
Conabeare Acoustics Limited 10 Chiltern Enterprise Centre, Station Road, Theddle, Belper, RG7 4AR Telephone: 01823 836350 Fax: 01823 836392		DIRECTORY FILE	CS3861
		DRAWING NUMBER	CS 3955/2

TITLE	BURNER ACOUSTIC COVER
C.A.E. PAGE No.	00689

DO NOT SCALE IF IN DOUBT ASK