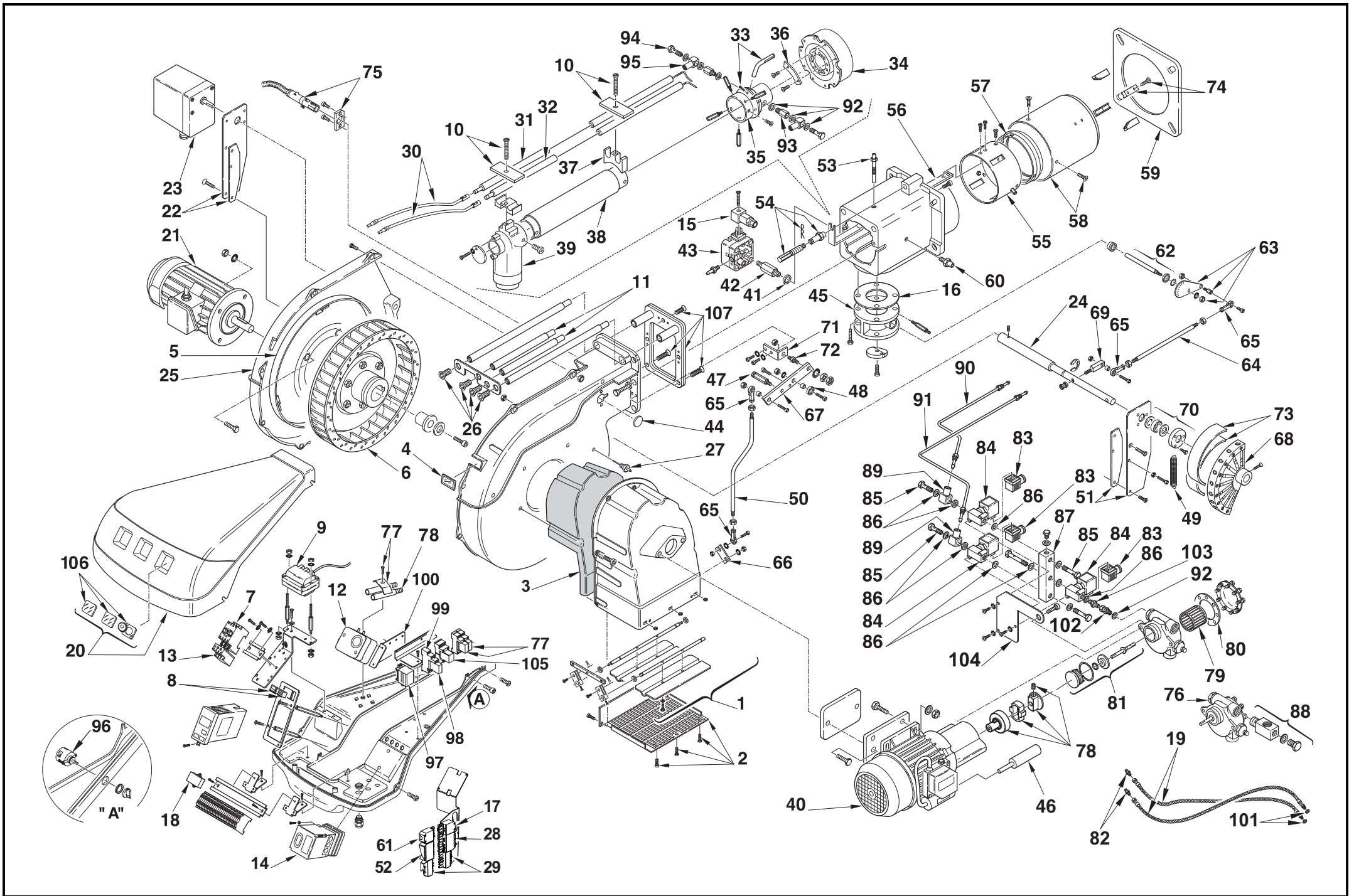


- I** Bruciatori policombustibile gasolio/gas
- GB** Dual fuel gas oil/gas burners
- F** Brûleurs mixtes fioul/gaz
- D** Mehrstoffbrenner Heizöl/Gas
- E** Quemadores policombustible gasóleo/gas

Funzionamento bistadio progressivo o modulante lato gas / bistadio lato gasolio
Oil progressive two-stage or modulating operation / Gas two-stage operation
Fonctionnement fioul à deux allures progressives ou modulant / Fonctionnement gaz à deux allures
Zweistufiger gleitender oder modulierender Betrieb für Öl / Zweistufig für Gas
Funcionamiento a dos llamas progresivas o modulante lado gas / a dos llamas lado gasóleo

CODICE - CODE CODIGO	MODELLO - MODEL - MODELE MODELL - MODELO	TIPO - TYP TYPE
20034842 - 20034843	RLS 160/M MX	781 T



N.	COD.	20034842	20034843 *	DESCRIZIONE	DESCRIPTION	DESCRIPTION	BESCHREIBUNG	DENOMINACION	MATRICOLA BRUCIATORE BURNER SERIAL NUMBER MATRICULE BRULEUR BRENNER KENN-NUMMER MATRICULA QUEMADÓRES	* *
		●	●							
1	3013684	●	●	GRUPPO SERRANDA	AIR DAMPER ASSEMBLY	GROUPE VOLET AIR	LUFTKLAPPE	CONJUNTO REGISTRO AIRE		
2	3013683	●	●	PROTEZIONE	GRID	PROTECTION	SCHUTZGITTER	PROTECION		
3	3013682	●	●	FONOASSORBENTE	SOUND DAMPING	INSONORISANT	GERÄUSCHDÄMMUNG	AISLAMIENTO ACÚSTICO		C
4	3003763	●	●	VISORE	INSPECTION WINDOW	VEISEUR	SICHTFENSTER	VISOR		
5	3012573	●	●	ANELLO	PISTON SEAL	JOINT TORIQUE	LIPPENDICHTUNG	JUNTA TORICA		B
6	3012555	●	●	GIRANTE	FAN	TURBINE	GEBLÄSERAD	TURBINA		C
7	3013978	●	●	CONTATTORE	CONTACTOR	CONTACTEUR	SCHÜTZ	CONTACTOR		C
8	3012080	●	●	INTERRUTTORE	SWITCH	INTERRUPTEUR	SCHALTER	INTERRUPTOR		C
9	3003785	●	●	TRASFORMATORE	TRANSFORMER	TRANSFORMATEUR	ZÜNDTRANSFORMATOR	TRANSFORMADOR		B
10	3012626	●	●	PIASTRINA	PLATE	PLAQUETTE ETRIER	PLATTE	PLATTE		
11	3013686	●	●	PROLUNGA PERNO	BAR EXTENSION	RALLONGE DE GLISSIERE	VERLÄNGERUNG	PROLUNGACIÓN PERNO		
12	3007444	●	●	PRESSOSTATO ARIA	AIR PRESSURE SWITCH	PRESSOSTAT AIR	LUFTDRUCKWÄCHTER	PRESÓSTATO AIRE		A
13	3013980	●	●	RELÈ TERMICO	OVERLOAD	RELAIS THERMIQUE	ÜBERSTROMAUSLÖSER	RELÈ TERMICO		C
14	3006090	●	●	APPARECCHIATURA	CONTROL BOX	BOITE DE CONTROLE	STEUERGERÄT	CAJA CONTROL		B
15	3012347	●	●	PRESA	SOCKET	PRISE	STECKBUCHSE	CONECTOR		C
16	3005482	●	●	GUARNIZIONE	SEAL	RONDELLE	FLANSCHDICHTUNG	JUNTA		B
17	3006949	●	●	PRESA 4 POLI	4 POLE SOCKET	PRISE À 4 PÔLES	4-POLIGE STECKDOSE	CONECTOR HEMBRA DE 4 CONTACTOS		C
18	3012155	●	●	FILTRO ANTIDISTURBO	SUPPRESSOR	FILTRE	ENTSTÖRER	FILTRO ANTI-INTERFERENCIA		C
19	20034085	●	●	TUBO FLESSIBILE	FLEXIBLE OIL LINE	FLEXIBLE	SCHLAUCH	TUBO FLEXIBILE		
20	3013119	●	●	COFANO	COVER	COFFRET	VERKLEIDUNG	ENVOLVENTE		
21	20050960	●	●	MOTORE	MOTOR	MOTEUR	MOTOR	MOTOR		C
22	3012585	●	●	PIASTRA	ANCHOR PLATE	PLATINE DE BLOCAGE	ARRETIERPLATTE	PLACA		
23	3012345	●	●	SERVOMOTORE	SERVOMOTOR	SERVOMOTEUR	STELLMOTOR	SERVOMOTOR		
24	3012349	●	●	ALBERO	SHAFT	ARBRE	WELLE	ARBORILLO		
25	3012587	●	●	GUSCIO	HALF-SHELL	COUVERCLE	HAUBE	CÀSCARA		
26	3013681	●	●	VITE	SCREW	VIS	SCHRAUBE	TORNILLO		
27	3003891	●	●	RACCORDO	CONNECTOR	MAMELON	NIPPEL	RACORD		C
28	3006938	●	●	PRESA 7 POLI	7 POLE SOCKET	PRISE À 7 PÔLES	7-POLIGE STECKDOSE	CONECTOR HEMBRA DE 7 CONTACTOS		C
29	3013202	●	●	PRESA + SPINA 6 POLI	6 POLE SOCKET + PIN PLUG	PRISE + FICHE À 6 PÔLES	6-POLIGE STECKDOSE + STECKER	CONECTOR HEMBRA + MACHO DE 6 CONTACTOS		C
30	3003795	●	●	COLLEGAMENTO ELETTRODO	HIGH VOLTAGE LEAD	CABLE DE CONNEXION ELECTRODE	ELEKTRODEVERBINDUNG	CABLE CONEXIÓN ELECTRODO		A
31	3013172	●	●	ELETTRODO	ELECTRODE	ELECTRODE PORCELAINE	ELEKTRODE	ELECTRODO		A
31	3013173	●	●	ELETTRODO	ELECTRODE	ELECTRODE PORCELAINE	ELEKTRODE	ELECTRODO		A

N.	COD.	20034842	DESCRIZIONE	DESCRIPTION	DESCRIPTION	BESCHREIBUNG	DENOMINACION	MATRICOLA BRUCIATORE BURNER SERIAL NUMBER MATRICULE BRULEUR BRENNER KENN-NUMMER MATRICULA QUEMADORES	* *
		20034843 *							
32	3013174	●	ELETTRODO	ELECTRODE	ELECTRODE PORCELAINE	ELEKTRODE	ELECTRODO		A
32	3013175	●	ELETTRODO	ELECTRODE	ELECTRODE PORCELAINE	ELEKTRODE	ELECTRODO		A
33	3013181	● ●	TUBETTO	TUBE	TUYAU	RÖHRCHEN	TUBO		
34	3013176	● ●	TAZZA	AIR DIFFUSER	DIFFUSEUR D'AIR	FLAMMKOPFBECHE	DIFUSOR DEL AIRE		A
35	3013177	● ●	DISTRIBUTORE	GAS HEAD	DISTRIBUTEUR	GASVERTEILER	DISTRIBUIDOR		
36	3013178	● ●	PARZIALIZZATORE	SHUTTER	CLAPET	STAUSCHEIBE	ELICEPARCIALIZADORA		
37	3013179	● ●	SUPPORTO	SUPPORT	SUPPORT	HALTER	SOPORTE		
38	3012636	●	TUBO ESTERNO	EXTERIOR TUBE	TUYAU EXTERIEUR	AUSSERER ROHR	TUBO EXTERNO		
38	3012920	●	TUBO ESTERNO	EXTERIOR TUBE	TUYAU EXTERIEUR	AUSSERER ROHR	TUBO EXTERNO		
39	3012637	● ●	GOMITO	ELBOW	COUDE	SCHLITTEN	CODO		
40	3013829	● ●	MOTORE	MOTOR	MOTEUR	MOTOR	MOTOR		C
41	3007088	● ●	GUARNIZIONE	SEAL	RONDELLE	METALLDICHTUNG	JUNTA		C
42	3006615	● ●	RACCORDO	CONNECTOR	MAMELON	NIPPEL	RACORD		C
43	3003660	● ●	PRESSOSTATO GAS	GAS PRESSURE SWITCH	PRESSOSTAT GAZ	GAS DRUCKWÄCHTER	PRESÓSTATO GAS		B
44	3003996	● ●	TAPPO	PLUG	BOUCHON A VIS	SCHRAUBSTÖPSEL	TAPÓN		
45	3006096	● ●	REGOLATORE GAS	GAS REGULATOR	REGULATEUR GAZ	GAS REGLER	REGULACION GAS		C
46	3013875	● ●	CONDENSATORE	CONDENSER	CONDENSATEUR	KONDENSATOR	CONDENSADOR		B
47	3012352	● ●	PERNO	BAR	GLISSIERE	BOLZEN	PERNO		C
48	3003841	● ●	CUSCINETTO	BEARING	ROULEMENT	LAGER	COJINETE		
49	3012356	● ●	MOLLA	SPRING	RESSORT	FEDER	MUELLE		C
50	3012646	● ●	TIRANTE	TIE ROD	TIRANT	GESTÄNGE	TIRANTE		C
51	3012594	● ●	PIASTRA	ANCHOR PLATE	PLATINE DE BLOCAGE	ARRETIERPLATTE	PLACA		
52	3006937	● ●	SPINA 7 POLI	7 PIN PLUG	FICHE 7 PÔLES	7-POLIGER STECKER	CONECTOR MACHO DE 7 CONTACTOS		A
53	3012049	● ●	VITE	SCREW	VIS	SCHRAUBE	TORNILLO		
54	3012639	● ●	GRUPPO REGOLATORE	CONTROL DEVICE	GROUPE OBTURATION	DRUCKREGULIERUNG	GRUPO REGULACION		C
55	3012640	● ●	CILINDRO	SLEEVE	CYLINDRE	ZYLINDER	CILINDRO		C
56	3012641	●	STAFFA	BRACKET	SUPPORT	KONSOLE	SOPORTE		
56	3012922	●	STAFFA	BRACKET	SUPPORT	KONSOLE	SOPORTE		
57	3012642	● ●	OTTURATORE	SHUTTER	OBTURATEUR	SCHIEBER	OBTURADOR		C
58	3012643	●	IMBUTO FIAMMA	END CONE	EMBOUT GUEULARD	FLAMMENROHR	TUBO EXTREMO		B
58	3012923	●	IMBUTO FIAMMA	END CONE	EMBOUT GUEULARD	FLAMMENROHR	TUBO EXTREMO		B
59	3012562	● ●	SCHERMO	FLANGE GASKET	ECRAN THERMIQUE	FLASCHDICHTUNG	JUNTA AISLANTE		A
60	3003322	● ●	RACCORDO	CONNECTOR	MAMELON	NIPPEL	RACORD		C

N.	COD.	20034842	DESCRIZIONE	DESCRIPTION	DESCRIPTION	BESCHREIBUNG	DENOMINACION	MATRICOLA BRUCIATORE BURNER SERIAL NUMBER MATRICULE BRULEUR BRENNER KENN-NUMMER MATRICULA QUEMADÓRES	* *
		20034843 *							
61	3006948	• •	SPINA 4 POLI	4 PIN PLUG	FICHE 4 PÔLES	4-POLIGER STECKER	CONECTOR MACHO DE 4 CONTACTOS		A
62	3006132	• •	ALBERO E ANELLO	SHAFT AND RING	ARBRE ET ANNEAU	WELLE UND RING	ÁRBOLILLO Y ANILLO		C
63	3012644	• •	QUADRANTE	GRADUATE SECTOR	SECTEUR GRADUE	SKALENSEGMENT	SECTOR GRADUADO		
64	3003543	• •	TIRANTE	TIE ROD	TIRANT	GESTÄNGE	TIRANTE		
65	3006098	• •	SNODO SFERICO	PIN JOINT	CHAPE A ROTULE	KUGELGELENK	ARTICOLACION ESFERICA		C
66	3012601	• •	LEVA	LEVER	LEVIER	HEBEL	PALANCA		C
67	3012354	• •	LEVA	LEVER	LEVIER	HEBEL	PALANCA		C
68	3012358	• •	CAMMA	CAM	CAME	NOCKEN	EXCÉNTRICO		C
69	3012350	• •	LEVA	LEVER	LEVIER	HEBEL	PALANCA		C
70	3012357	• •	CUSCINETTO	BEARING	ROULEMENT	LAGER	COJINETE		
71	3012602	• •	SUPPORTO	SUPPORT	SUPPORT	HALTER	SOPORTE		
72	3012603	• •	PERNO	BAR	GLISSIERE	BOLZEN	PERNO		C
73	3006097	• •	MOLLA	SPRING	RESSORT	FEDER	MUELLE		C
74	3012647	• •	BASETTA	CENTERING SUPPORT	ELEMENT DE CENTRAGE	ZENTRIERHALTERUNG	SOPORTE		
75	3003396	• •	FOTOCELLULA UV	UV CELL	PHOTOCELLULE UV	UV PHOTOZELLE	FOTORESISTENCIA UV		A
76	20031716	• •	POMPA	PUMP	POMPE	PUMPE	BOMBA		C
77	3013407	• •	RELÈ + ZOCCOLO	RELAY + BASE	RELAIS + SOCLE	RELAIS + SOCKEL	RELÉ + ZOCALO		
78	3013828	• •	GIUNTO	JOINT	ACCOUPLMENT	PUMPENKUPPLUNG	ACOPLAMIENTO		A
79	3006787	• •	FILTRO	FILTER	FILTRE	FILTER	FILTRO		A
80	20034170	• •	GUARNIZIONE	SEAL	RONDELLE	METALLDICHTUNG	JUNTA		B
81	3000805	• •	ORGANO DI TENUTA	PUMP SEAL	ORGANE D'ETANCHEITE	WELLENDICHTUNG	CONJUNTO ESTANQUIDAD		B
82	3006181	• •	RACCORDO	CONNECTOR	MAMELON	NIPPEL	RACORD		C
83	3006953	• •	PRESA	HOLDER	PRISE CELLULE	SOCKEL	CONECTOR		B
84	3012002	• •	VALVOLA	NEEDLEVALVE	VANNE POINTEAU	NADELVENTIL	VÁLVULA		
85	3003592	• •	PERNO	BAR	GLISSIERE	BOLZEN	PERNO		C
86	3007077	• •	GUARNIZIONE	SEAL	RONDELLE	METALLDICHTUNG	JUNTA		B
87	3012569	• •	COLLETTORE	MANIFOLD	COLLECTEUR	SAMMLER	COLECTOR		C
88	3003681	• •	RACCORDO	CONNECTOR	MAMELON	NIPPEL	RACORD		C
89	3006722	• •	RACCORDO	CONNECTOR	MAMELON	NIPPEL	RACORD		C
90	3013688	•	TUBO	TUBE	TUYAUTERIE	DRUCKROHR	TUBO		
90	3013689	•	TUBO	TUBE	TUYAUTERIE	DRUCKROHR	TUBO		
91	3013690	•	TUBO	TUBE	TUYAUTERIE	DRUCKROHR	TUBO		
91	3013691	•	TUBO	TUBE	TUYAUTERIE	DRUCKROHR	TUBO		

N.	COD.	20034842	20034843 *	DESCRIZIONE	DESCRIPTION	DESCRIPTION	BESCHREIBUNG	DENOMINACION	MATRICOLA BRUCIATORE BURNER SERIAL NUMBER MATRICULE BRULEUR BRENNER KENN-NUMMER MATRICULA QUEMADORES	* *
		●	●							
92	3007079	●	●	GUARNIZIONE	SEAL	RONDELLE	METALLDICHTUNG	JUNTA		B
93	3013188	●	●	RACCORDO	CONNECTOR	MAMELON	NIPPEL	RACORD		C
94	3003006	●	●	PERNO	BAR	GLISSIERE	BOLZEN	PERNO		C
95	3006784	●	●	RACCORDO	CONNECTOR	MAMELON	NIPPEL	RACORD		C
96	3012310	●	●	COMMUTATORE	SELECTOR SWITCH	COMMUTATOR	WAHLSCHALTER	CONMUTADOR		
97	3013526	●	●	RELÈ	RELAY	RELAIS	RELAIS	RELÉ		
98	3012368	●	●	RELÈ	RELAY	RELAIS	RELAIS	RELÉ		
99	3003935	●	●	ZOCCOLO	CONTROL BOX BASE	SOCLE	SOCKEL	ZOCALO		
100	3014216	●	●	SUPPORTO	SUPPORT	SUPPORT	HALTER	CORCHETE		
101	3007164	●	●	GUARNIZIONE	SEAL	RONDELLE	METALLDICHTUNG	JUNTA		B
102	3013462	●	●	RACCORDO GIREVOLE	SWIVEL FITTING	TOURNANT	DREHANSCHLUSS	EMPALME GIRATORIO		C
103	3013185	●	●	RACCORDO	CONNECTOR	MAMELON	NIPPEL	RACORD		C
104	3013671	●	●	STAFFA	BRACKET	SUPPORT	KONSOLE	SOPORTE		
105	3014157	●	●	RELÈ + ZOCCOLO	RELAY + BASE	RELAIS + SOCLE	RELAIS + SOCKEL	RELÉ + ZOCALO		
106	3013678	●	●	MEMBRANA+VETRINO	MEMBRANE+VIEWING PORT	MEMBRANE+REGARD	MEMBRAN+VERSCHLUBSTOP FEN	MEMBRANA+MIRILLA		
107	3013685	●	●	GRUPPO PIASTRE	PLATES ASSEMBLY	GROUPE PLATINES	PLATTENGRUPPE	CONJUNTO PLACAS		

★

Versione testa lunga - Long combustion head version - Version tête longue - Langer Brennkopf Ausführung - Versión alargado de tubo llama

★★

RICAMBI CONSIGLIATI - ADVISED PARTS - RECHANGE CONSEIL - EMPFOHLENE ERSATZTEILE - RECAMBIOS ACONSEJADOS

A = Ricambi per dotazione minima - Spare parts for minimum fittings - Pièces détachées pour équipement minimum - Ersatzteile für minimale Ausstattung - Recambios para equipamiento mínimo

A+B = Ricambi per dotazione base di sicurezza - Spare parts for basic safety fittings - Pièces détachées pour équipement standard de sécurité - Ersatzteile für Sicherheitsgrundausrüstung - Recambios para equipamiento básico de seguridad

A+B+C = Ricambi per dotazione estesa di sicurezza - Spare parts for extended safety fittings - Pièces détachées pour équipement complet de sécurité - Ersatzteile für erweiterte Sicherheitsausstattung - Recambios para equipamiento general de seguridad

RIELLO

RIELLO S.p.A.
I-37045 Legnago (VR)
Tel.: +39.0442.630111
[http:// www.riello.it](http://www.riello.it)
[http:// www.rielloburners.com](http://www.rielloburners.com)