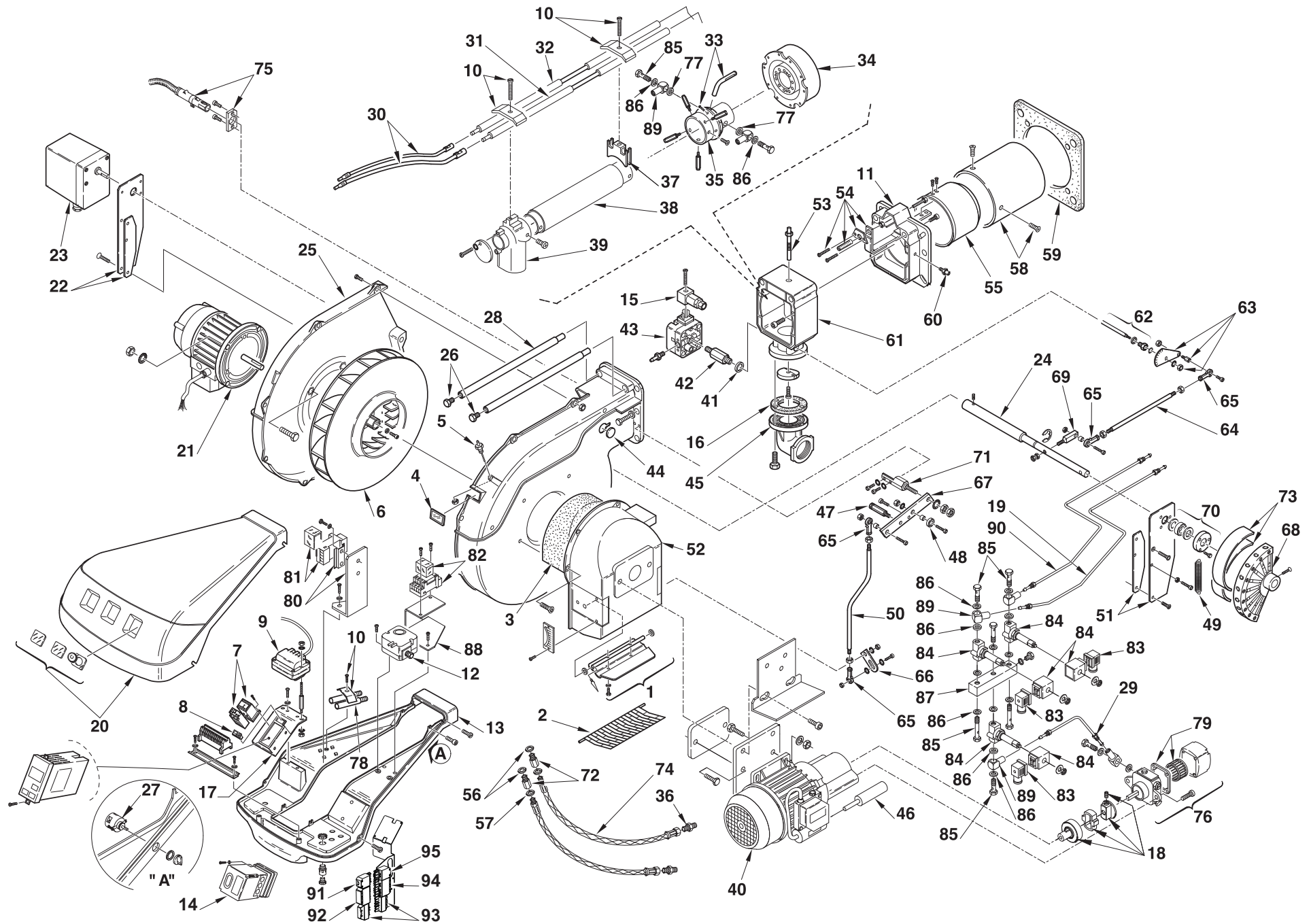


- I** Bruciatori policombustibile gasolio/gas
- GB** Dual fuel light oil/gas burners
- F** Brûleurs mixtes fioul/gaz
- D** Mehrstoffbrenner Heizöl/Gas
- E** Quemadores policombustible gasóleo / gas

Funzionamento bistadio progressivo o modulante lato gas / bistadio lato gasolio
Oil progressive two-stage or modulating operation / Gas two-stage operation
Fonctionnement fioul à deux allures progressives ou modulant / Fonctionnement gaz à deux allures
Zweistufiger gleitender oder modulierender Betrieb für Öl / Zweistufig für Gas
Funcionamiento a dos llamas progresivas o modulante lado gas / a dos llamas lado gasóleo

| CODICE - CODE CODIGO | MODELLO - MODEL - MODELE MODELL - MODELO | TIPO - TYP TYPE |
|-------------------------|---|--------------------|
| 20034838 - 20034839 | RLS 68/M MX | 779 T |
| 20034840 - 20034841 | RLS 120/M MX | 780 T |



| N. | COD. | 20034838 | 20034839 * | 20034840 | 20034841 * | DESCRIZIONE | DESCRIPTION | DESCRIPTION | BESCHREIBUNG | DENOMINACION | MATRICOLA BRUCIATORE BURNER SERIAL NUMBER MATRICULE BRULEUR BRENNER KENN-NUMMER MATRICULA QUEMADORES | ** |
|----|---------|----------|------------|----------|------------|-----------------------------|---------------------|---------------------------------|---------------------|-----------------------------|--|----|
| | | | | | | | | | | | | |
| 1 | 3003948 | • | • | • | • | GRUPPO SERRANDA ARIA | AIR DAMPER ASSEMBLY | GROUPE VOLET AIR | LUFTREGULIERUNG | CONJUNTO REGISTRO AIRE | | |
| 2 | 3003949 | • | • | • | • | PROTEZIONE | PROTECTION | PROTECTION | SCHUTZGITTER | PROTECCIÓN | | |
| 3 | 3003952 | • | • | • | • | FONOASSORBENTE | SOUND DAMPING | INSONORISANT | GERÄUSCHDÄMMUNG | AISLAMIENTO ACÚSTICO | | |
| 4 | 3003763 | • | • | • | • | VISORE | INSPECTION WINDOW | VEUSEUR | SICHTFENSTER | VISOR | | |
| 5 | 3003891 | • | • | • | • | RACCORDO | CONNECTOR | MAMELON | NIPPEL | RACORD | | C |
| 6 | 3003964 | • | • | | | GIRANTE | FAN | TURBINE | GEBLÄSERAD | TURBINA | | C |
| 6 | 3012405 | | | • | • | GIRANTE | FAN | TURBINE | GEBLÄSERAD | TURBINA | | C |
| 7 | 3003960 | • | • | | | AVVIATORE | STARTER | DEMARREUR | ANLASSER | ARRANCADOR | | C |
| 7 | 3003961 | | | • | • | AVVIATORE | STARTER | DEMARREUR | ANLASSER | ARRANCADOR | | C |
| 8 | 3012080 | • | • | • | • | INTERRUTTORE | SWITCH | INTERRUPTEUR | SCHALTER | INTERRUPTOR | | |
| 9 | 3003785 | • | • | • | • | TRASFORMATORE | TRANSFORMER | TRANSFORMATEUR | ZÜNDTRANSFORMATOR | TRANSFORMADOR | | B |
| 10 | 3003409 | • | • | • | • | PIASTRINA | PLATE | PLAQUETTE | ETRIER | PLATTE | | |
| 11 | 3012413 | • | • | • | • | FRONTONE | FRONT PIECE | FACADE | VORDERTEIL | SOPORTE | | |
| 12 | 3007444 | • | • | • | • | PRESSOSTATO ARIA | AIR PRESSURE SWITCH | PRESSOSTAT AIR | LUFTDRUCKWÄCHTER | PRESÓSTATO AIRE | | A |
| 13 | 3013171 | • | • | • | • | MENSOLA | BASE PLATE | PLAQUE DE SUPPORT | GRUNDPLATTE | REPISA | | |
| 14 | 3006090 | • | • | • | • | APPARECCHIATURA | CONTROL BOX | BOITE DE CONTROLE | STEUERGERÄT | CAJA CONTROL | | B |
| 15 | 3012347 | • | • | • | • | PRESA | SOCKET | PRISE | STECKBUCHSE | CONECTOR | | |
| 16 | 3005482 | • | • | • | • | GUARNIZIONE | SEAL | RONDELLE | FLANSCHDICHTUNG | JUNTA | | C |
| 17 | 3012343 | • | • | • | • | SUPPORTO | SUPPORT | SUPPORT | HALTER | SOPORTE | | |
| 18 | 3013828 | • | • | • | • | GIUNTO | JOINT | ACCOUPLMENT | PUMPENKUPPLUNG | ACOPLAMIENTO | | A |
| 19 | 3013378 | | • | • | | TUBO | TUBE | TUYAU | RÖHRCHEN | TUBO | | |
| 19 | 3013385 | | • | • | | TUBO | TUBE | TUYAU | RÖHRCHEN | TUBO | | |
| 20 | 3013119 | • | • | • | • | COFANO | COVER | CAPOT | VERKLEIDUNG | ENVOLVENTE | | B |
| 21 | 3003967 | • | • | | | MOTORE | MOTOR | MOTEUR | MOTOR | MOTOR | | C |
| 21 | 3003968 | | | • | • | MOTORE | MOTOR | MOTEUR | MOTOR | MOTOR | | C |
| 22 | 3012585 | • | • | • | • | PIASTRA | ANCHOR PLATE | PLATINE DE BLOCAGE | ARRETIERPLATTE | PLATINA | | |
| 23 | 3012345 | • | • | • | • | SERVOMOTORE | SERVOMOTOR | SERVOMOTEUR | STELLMOTOR | SERVOMOTOR | | B |
| 24 | 3012349 | • | • | • | • | ALBERO | SHAFT | ARBRE | WELLE | ARBOLILLO | | |
| 25 | 3012012 | • | • | • | • | GUSCIO | HALF-SHELL | COUVERCLE | HAUBE | CÀSCARA | | |
| 26 | 3003481 | • | • | • | • | VITE | SCREW | VIS | SCHRAUBE | TORNILLO | | |
| 27 | 3012310 | • | • | • | • | COMMUTATORE | SELECTOR SWITCH | COMMUTATOR | WAHLSCHALTER | CONMUTADOR | | C |
| 28 | 3012213 | • | • | • | • | PERNO | BAR | GLISSIERE | BOLZEN | PERNO | | C |
| 29 | 3013381 | • | • | • | • | TUBO | TUBE | TUYAU | RÖHRCHEN | TUBO | | |
| 30 | 3003795 | • | • | • | • | COLLEGAMENTO ELET- TRODO | HIGH VOLTAGE LEAD | CABLE DE CONNEXION ELECTRODE | ELEKTRODEVERBINDUNG | CABLE CONEXIÓN ELECTRODO | | A |
| 31 | 3013371 | • | • | | | ELETTRODO | ELECTRODE | ELECTRODE | ELEKTRODE | ELECTRODO | | A |
| 31 | 3013382 | | • | • | | ELETTRODO | ELECTRODE | ELECTRODE | ELEKTRODE | ELECTRODO | | A |
| 32 | 3013370 | • | • | | | ELETTRODO | ELECTRODE | ELECTRODE | ELEKTRODE | ELECTRODO | | A |

| N. | COD. | 20034838 | 20034839 * | 20034840 | 20034841 * | DESCRIZIONE | DESCRIPTION | DESCRIPTION | BESCHREIBUNG | DENOMINACION | MATRICOLA BRUCIATORE BURNER SERIAL NUMBER MATRICULE BRULEUR BRENNER KENN-NUMMER MATRICULA QUEMADORES | ** |
|----|---------|----------|------------|----------|------------|---------------------|---------------------|----------------------|---------------------------|-------------------|--|----|
| 32 | 3013383 | | | | | ELETTRODO | ELECTRODE | ELECTRODE | ELEKTRODE | ELECTRODO | | A |
| 33 | 3013377 | | | | | TUBO | TUBE | TUYAU | RÖHRCHEN | TUBO | | |
| 33 | 3013376 | | | | | TUBO | TUBE | TUYAU | RÖHRCHEN | TUBO | | |
| 34 | 3013372 | | | | | TAZZA | AIR DIFFUSER | DIFFUSEUR D'AIR | STAUSCHEIBE | DIFUSOR DEL AIRE | | A |
| 34 | 3013373 | | | | | TAZZA | AIR DIFFUSER | DIFFUSEUR D'AIR | STAUSCHEIBE | DIFUSOR DEL AIRE | | |
| 35 | 3013375 | | | | | DISTRIBUTORE | DISTRIBUTOR | DISTRIBUTEUR | GASKOPF | DISTRIBUIDOR | | |
| 35 | 3013374 | | | | | DISTRIBUTORE | DISTRIBUTOR | DISTRIBUTEUR | GASKOPF | DISTRIBUIDOR | | |
| 36 | 3009068 | | | | | RACCORDO | CONNECTOR | MAMELON | NIPPEL | RACORD | | C |
| 37 | 3013380 | | | | | SUPPORTO | SUPPORT | SUPPORT | HALTER | SOPORTE | | |
| 38 | 3012038 | | | | | TUBO ESTERNO | EXTERIOR TUBE | TUYAU EXTERIEUR | AUSSERER ROHR | TUBO EXSTERNO | | |
| 38 | 3012039 | | | | | TUBO ESTERNO | EXTERIOR TUBE | TUYAU EXTERIEUR | AUSSERER ROHR | TUBO EXSTERNO | | |
| 39 | 3012412 | | | | | GOMITO | ELBOW | COUDE | SCHLITTEN | CODO | | |
| 40 | 3013829 | | | | | MOTORE | MOTOR | MOTEUR | MOTOR | MOTOR | | C |
| 41 | 3007166 | | | | | GUARNIZIONE | SEAL | JOINT | DICHTUNG ANSCHLUßNIPPEL | JUNTA | | B |
| 42 | 3003864 | | | | | RACCORDO | CONNECTOR | MAMELON | NIPPEL | RACORD | | C |
| 43 | 3003660 | | | | | PRESSOSTATO GAS | GAS PRESSURE SWITCH | PRESSOSTAT GAZ | GASDRUCKWÄCHTER | PRESOSTATO DE GAS | | B |
| 44 | 3003996 | | | | | TAPPO | PLUG | BOUCHON A VIS | SCHRAUBSTÖPSEL | TAPÓN | | |
| 45 | 3006803 | | | | | FLANGIA E GOMITO | FLANGE AND ELBOW | BRIDE ET COUDE | ANSCHLUSSFLANSCHGAS | BRIDA Y CODO | | |
| 46 | 3013875 | | | | | CONDENSATORE | CONDENSER | CONDENSATEUR | KONDENSATOR | CONDENSADOR | | |
| 47 | 3012352 | | | | | PERNO | BAR | GLISSIERE | BOLZEN | PERNO | | C |
| 48 | 3003841 | | | | | CUSCINETTO | BEARING | ROULEMENT | LAGER | COJINETE | | |
| 49 | 3012356 | | | | | MOLLA | SPRING | RESSORT | FEDER | MUELLE | | |
| 50 | 3012351 | | | | | TIRANTE | TIE ROD | TIRANT | GESTÄNGE | TIRANTE | | C |
| 51 | 3012594 | | | | | PIASTRA | ANCHOR PLATE | PLATINE DE BLOCAGE | ARRETIERPLATTE | PLACA | | C |
| 52 | 3012454 | | | | | BOCCA D'ASPIRAZIONE | AIR INTAKE | BOITIER D'ASPIRATION | ANSAUGÖFFNUNG | BOCA ASPIRACION | | |
| 53 | 3012049 | | | | | VITE | SCREW | VIS | SCHRAUBE | TORNILLO | | |
| 54 | 3012414 | | | | | GRUPPO REGOLATORE | CONTROL DEVICE | GROUPE OBTURATION | DRUCKREGULIERUNG | GRUPO REGULACIÓN | | C |
| 54 | 3012929 | | | | | GRUPPO REGOLATORE | CONTROL DEVICE | GROUPE OBTURATION | DRUCKREGULIERUNG | GRUPO REGULACIÓN | | C |
| 55 | 3012416 | | | | | OTTURATORE | SHUTTER | OBTURATEUR | SCHIEBER | OBTURADOR | | C |
| 56 | 3007079 | | | | | GUARNIZIONE | SEAL | JOINT | DICHTUNG | JUNTA | | B |
| 57 | 3007088 | | | | | GUARNIZIONE | SEAL | JOINT | DICHTUNG | JUNTA | | B |
| 58 | 3012415 | | | | | IMBUTO FIAMMA | END CONE | EMBOUT GUEULARD | FLAMMENROHR | TUBO EXTREMO | | B |
| 58 | 3012930 | | | | | IMBUTO FIAMMA | END CONE | EMBOUT GUEULARD | FLAMMENROHR | TUBO EXTREMO | | B |
| 59 | 3003991 | | | | | SCHERMO | FLANGE GASKET | JOINT ISOLANT | FLANSCHDICHTUNG | JUNTA BRIDA | | |
| 60 | 3003322 | | | | | RACCORDO | CONNECTOR | MAMELON | NIPPEL | RACORD | | C |
| 61 | 3013368 | | | | | MANICOTTO | MANIFOLD | MANCHON | FLAMMKOPF MIT GASANSCHLUß | COLLARÍN | | |

| N. | COD. | 20034838 | 20034839 * | 20034840 | 20034841 * | DESCRIZIONE | DESCRIPTION | DESCRIPTION | BESCHREIBUNG | DENOMINACION | MATRICOLA BRUCIATORE BURNER SERIAL NUMBER MATRICULE BRULEUR BRENNER KENN-NUMMER MATRICULA QUEMADÓRES | * * |
|----|----------|----------|------------|----------|------------|----------------------|--------------------------|-------------------------|------------------------------|--|--|-----|
| | | | | | | | | | | | | |
| 61 | 3013369 | | | | | MANICOTTO | MANIFOLD | MANCHON | FLAMMKOPF MIT GASAN-SCHLUß | COLLARÍN | | |
| 62 | 3012059 | | | | | ALBERO E ANELLO | SHAFT AND RING | ARBRE ET ANNEAU | WELLE UND RING | ARBOLILLO + ANILLO | | C |
| 63 | 3012599 | | | | | QUADRANTE | GRADUATE SECTOR | SECTEUR GRADUE | SKALENSEGMENT | CUADRANTE | | C |
| 64 | 3012060 | | | | | TIRANTE | TIE ROD | TIRANT | GESTÄNGE | TIRANTE | | C |
| 65 | 3006098 | | | | | SNODO SFERICO | PIN JOINT | CHAPE A ROTULE | KUGELGELENK | ARTICOLACION ESFERICA | | C |
| 66 | 3012359 | | | | | LEVA | LEVER | LEVIER | HEBEL | PALANCA | | C |
| 67 | 3012354 | | | | | LEVA | LEVER | LEVIER | HEBEL | PALANCA | | C |
| 68 | 3012358 | | | | | CAMMA | CAM | CAME | NOCKEN | EXCÉNTRICO | | C |
| 69 | 3012350 | | | | | LEVA | LEVER | LEVIER | HEBEL | PALANCA | | C |
| 70 | 3012357 | | | | | CUSCINETTO | BEARING | PALIER | LAGER | COJINETE | | |
| 71 | 3012353 | | | | | PERNO | BAR | GLISSIERE | BOLZEN | PERNO | | C |
| 72 | 3005739 | | | | | RACCORDO | CONNECTOR | MAMELON | NIPPEL | RACORD | | C |
| 73 | 3006097 | | | | | MOLLA | SPRING | RESSORT | FEDER | MUELLE | | |
| 74 | 20033716 | | | | | TUBO FLESSIBILE | HOSE | FLEXIBLE | ÖLSCHLAUCH | TUBO FLEXIBLE | | |
| 75 | 3003396 | | | | | FOTOCELLULA UV | UV CELL | PHOTOCELLULE UV | UV PHOTOZELLE | FOTORESISTENCIA UV | | A |
| 76 | 20033467 | | | | | POMPA | PUMP | POMPE | PUMPE | BOMBA | | C |
| 77 | 3003381 | | | | | GUARNIZIONE | SEAL | JOINT | DICHTUNG | JUNTA | | B |
| 78 | 3003956 | | | | | PROLUNGA PERNO | BAR EXTENSION | EXTENSION DE GLISSIERE | BOLZENVERLÄNGERUNG | EXTENSIÓN PERNO | | |
| 79 | 20033434 | | | | | FILTRO E GUARNIZIONE | FILTER AND SEAL | FILTRE ET JOINT | FILTER UND DICHTUNG | FILTRO Y JUNTA | | |
| 80 | 3013189 | | | | | SUPPORTO | SUPPORT | SUPPORT | HALTER | SOPORTE | | A |
| 81 | 3013190 | | | | | RELÈ TERMICO | OVERLOAD | RELAIS THERMIQUE | ÜBERSTROMAUSLÖSER | RELÈ TERMICO | | C |
| 82 | 3012292 | | | | | RELÈ TERMICO | OVERLOAD | RELAIS THERMIQUE | ÜBERSTROMAUSLÖSER | RELÈ TERMICO | | C |
| 83 | 3006953 | | | | | PRESA | SOCKET | PRISE | STECKBUCHSE | CONECTADOR | | C |
| 84 | 3012002 | | | | | VALVOLA | VALVE | VANNE | VENTIL | VÁLVULA | | |
| 85 | 3003592 | | | | | PERNO | BAR | GLISSIERE | BOLZEN | PERNO | | C |
| 86 | 3007077 | | | | | GUARNIZIONE | SEAL | JOINT | DICHTUNG | JUNTA | | B |
| 87 | 3012569 | | | | | COLLETTORE | COLLECTOR | COLLECTEUR | KOLLEKTOR | COLECTOR | | |
| 88 | 3012423 | | | | | SUPPORTO | SUPPORT | SUPPORT | HALTER | SOPORTE | | A |
| 89 | 3006722 | | | | | RACCORDO | CONNECTOR | MAMELON | NIPPEL | RACORD | | C |
| 90 | 3013379 | | | | | TUBO | TUBE | TUYAU | RÖHRCHEN | TUBO | | |
| 90 | 3013384 | | | | | TUBO | TUBE | TUYAU | RÖHRCHEN | TUBO | | |
| 91 | 3006948 | | | | | SPINA 4 POLI | 4 PIN PLUG | FICHE 4 PÔLES | 4-POLIGER STECKER | CONECTOR MACHO DE 4 CONTACTOS | | A |
| 92 | 3006937 | | | | | SPINA 7 POLI | 7 PIN PLUG | FICHE 7 PÔLES | 7-POLIGER STECKER | CONECTOR MACHO DE 7 CONTACTOS | | A |
| 93 | 3013202 | | | | | PRESA + SPINA 6 POLI | 6 POLE SOCKET + PIN PLUG | PRISE + FICHE À 6 PÔLES | 6-POLIGE STECKDOSE + STECKER | CONECTOR HEMBRA + MACHO DE 6 CONTACTOS | | C |
| 94 | 3006938 | | | | | PRESA 7 POLI | 7 POLE SOCKET | PRISE À 7 PÔLES | 7-POLIGE STECKDOSE | CONECTOR HEMBRA DE 7 CONTACTOS | | C |

| N. | COD. | 20034838 | 20034839 * | 20034840 | 20034841 * | DESCRIZIONE | DESCRIPTION | DESCRIPTION | BESCHREIBUNG | DENOMINACION | MATRICOLA BRUCIATORE BURNER SERIAL NUMBER MATRICULE BRULEUR BRENNER KENN-NUMMER MATRICULA QUEMADÓRES | ** |
|----|---------|----------|------------|----------|------------|--------------|---------------|-----------------|--------------------|--------------------------------|--|----|
| 95 | 3006949 | • | • | • | • | PRESA 4 POLI | 4 POLE SOCKET | PRISE À 4 PÔLES | 4-POLIGE STECKDOSE | CONECTOR HEMBRA DE 4 CONTACTOS | | C |

★

Versione testa lunga - Long combustion head version - Version tête longue - Langer Brennkopf Ausführung - Versión alargado de tubo llama

★★

RICAMBI CONSIGLIATI - ADVISED PARTS - RECHANGE CONSEIL - EMPFOHLENE ERSATZTEILE - RECAMBIOS ACONSEJADOS

A = Ricambi per dotazione minima - Spare parts for minimum fittings - Pièces détachées pour équipement minimum - Ersatzteile für minimale Ausstattung - Recambios para equipamiento mínimo

A+B = Ricambi per dotazione base di sicurezza - Spare parts for basic safety fittings - Pièces détachées pour équipement standard de sécurité - Ersatzteile für Sicherheitsgrundausrüstung - Recambios para equipamiento básico de seguridad

A+B+C = Ricambi per dotazione estesa di sicurezza - Spare parts for extended safety fittings - Pièces détachées pour équipement complet de sécurité - Ersatzteile für erweiterte Sicherheitsausstattung - Recambios para equipamiento general de seguridad

RIELLO

RIELLO S.p.A.
I-37045 Legnago (VR)
Tel.: +39.0442.630111
[http:// www.riello.it](http://www.riello.it)
[http:// www.rielloburners.com](http://www.rielloburners.com)