

**GB** **Kerosene burner**

One stage operation



**CODE**

**MODEL**

20157841

RDB 3.2 BT 58/70



**Original instructions**

---

# Contents

---

<b>1</b>	<b>Declaration</b>	<b>3</b>
<b>2</b>	<b>Information and general warnings</b>	<b>4</b>
2.1	Information about the instruction manual	4
2.1.1	Introduction	4
2.1.2	General dangers	4
2.1.3	Other symbols	4
2.1.4	Delivery of the system and the instruction manual	5
2.2	Guarantee and responsibility	5
2.3	Guidance for the use of biofuel blends up to 30%	6
2.3.1	Information and general instructions	6
2.3.2	Product Disclaimer Statement	6
<b>3</b>	<b>Safety and prevention</b>	<b>7</b>
3.1	Introduction	7
3.2	Safety warnings	7
3.3	Basic safety rules	7
3.4	Personnel training	8
<b>4</b>	<b>Technical description of the burner</b>	<b>9</b>
4.1	Models available	9
4.2	Technical data	9
4.3	Burner description	9
4.4	Burner equipment	10
4.5	Burner dimensions	10
<b>5</b>	<b>Installation</b>	<b>11</b>
5.1	Notes on safety for the installation	11
5.2	Handling	11
5.3	Preliminary checks	11
5.4	Installer/Service notes for the use of Gas oil with Bio blends up to 30% where gas oil use is permitted by the appliance Manufacturer	12
5.5	Working position	12
5.6	Boiler fixing	13
5.7	Burner assembly	14
<b>6</b>	<b>Hydraulic systems</b>	<b>15</b>
6.1	Fuel supply	15
6.1.1	Pump	15
6.2	One pipe system	16
6.2.1	Priming pump	16
6.3	Two pipe system	17
6.3.1	Priming pump	17
<b>7</b>	<b>Electrical system</b>	<b>18</b>
7.1	Notes on safety for the electrical wiring	18
7.2	Electrical wiring	19
7.2.1	Control box	19
<b>8</b>	<b>Start-up, calibration and operation of the burner</b>	<b>20</b>
8.1	Notes on safety for the first start-up	20
8.2	Combustion adjustment	20
8.3	Nozzles installation	20
8.3.1	Nozzles recommended	20
8.4	Pump pressure	20
8.5	Maintenance position	21

---

## Contents

---

8.6	Air damper adjustment .....	21
8.7	Electrodes setting .....	21
8.8	Combustion head setting .....	22
8.9	Normal operation burner start-up cycle .....	22
<b>9</b>	<b>Maintenance .....</b>	<b>23</b>
9.1	Notes on safety for the maintenance .....	23
9.2	Maintenance programme .....	23
9.2.1	Maintenance frequency .....	23
9.2.2	Checking and cleaning .....	23
9.2.3	Safety components .....	24
<b>10</b>	<b>Faults / Solutions .....</b>	<b>25</b>

## 1 Declaration

## Declaration of conformity in accordance with ISO / IEC 17050-1

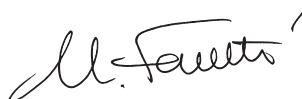
Manufacturer:	RIELLO S.p.A.	
Address:	Via Pilade Riello, 7 37045 Legnago (VR)	
Product:	Kerosene burner	
Model:	RDB 3.2 BT 58/70	
These products are in compliance with the following Technical Standard:		
EN 12100		
EN 267		
and according to the European Directives:		
MD	2006/42/CE	Machine Directive
LVD	2014/35/EU	Low Voltage Directive
EMC	2014/30/EU	Electromagnetic Compatibility

**The quality is guaranteed by a quality and management system certified in accordance with ISO 9001:2015.**

Legnago, 01.12.2015

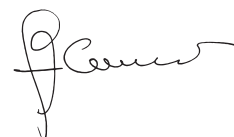
Executive General Manager  
RIELLO S.p.A. - Burner Department

Mr. U. Ferretti



Research & Development Director  
RIELLO S.p.A. - Burner Department

Mr. F. Comencini



**2 Information and general warnings**

**2.1 Information about the instruction manual**

**2.1.1 Introduction**

The instruction manual supplied with the burner:

- is an integral and essential part of the product and must not be separated from it; it must therefore be kept carefully for any necessary consultation and must accompany the burner even if it is transferred to another owner or user, or to another system. If the manual is lost or damaged, another copy must be requested from the Technical Assistance Service of the area;
- is designed for use by qualified personnel;
- offers important indications and instructions relating to the installation safety, start-up, use and maintenance of the burner.

**Symbols used in the manual**

In some parts of the manual you will see triangular DANGER signs. Pay great attention to these, as they indicate a situation of potential danger.

**2.1.2 General dangers**

The **dangers** can be of **3 levels**, as indicated below.



Maximum danger level!  
This symbol indicates operations which, if not carried out correctly, cause serious injury, death or long-term health risks.



This symbol indicates operations which, if not carried out correctly, may cause serious injury, death or long-term health risks.



This symbol indicates operations which, if not carried out correctly, may cause damage to the machine and/or injury to people.

**2.1.3 Other symbols**



**DANGER: LIVE COMPONENTS**  
This symbol indicates operations which, if not carried out correctly, lead to electric shocks with lethal consequences.



**DANGER: FLAMMABLE MATERIAL**  
This symbol indicates the presence of flammable materials.



**DANGER: BURNING**  
This symbol indicates the risks of burns due to high temperatures.



**DANGER: CRUSHING OF LIMBS**  
This symbol indicates the presence of moving parts: danger of crushing of limbs.



**WARNING: MOVING PARTS**  
This symbol indicates that you must keep limbs away from moving mechanical parts; danger of crushing.



**DANGER: EXPLOSION**  
This symbol signals places where an explosive atmosphere may be present. An explosive atmosphere is defined as a mixture - under atmospheric conditions - of air and flammable substances in the form of gases, vapours, mist or dust in which, after ignition has occurred, combustion spreads to the entire unburned mixture.



**PERSONAL PROTECTION EQUIPMENT**  
These symbols indicate the equipment that must be worn and kept by the operator for protection against threats against safety and/or health while at work.



**OBLIGATION TO ASSEMBLE THE COVER AND ALL THE SAFETY AND PROTECTION DEVICES**  
This symbol signals the obligation to reassemble the cover and all the safety and protection devices of the burner after any maintenance, cleaning or checking operations.



**ENVIRONMENTAL PROTECTION**  
This symbol gives indications for the use of the machine with respect for the environment.



**IMPORTANT INFORMATION**  
This symbol indicates important information that you must bear in mind.

- This symbol indicates a list.

**Abbreviations used**

Ch.	Chapter
Fig.	Figure
Page	Page
Sec.	Section
Tab.	Table

### 2.1.4 Delivery of the system and the instruction manual

When the system is delivered, it is important that:

- the instruction manual is delivered to the user by the system manufacturer, with the recommendation to keep it in the room where the heat generator is to be installed.
- The instruction manual shows:
  - the serial number of the burner;

.....

- the address and telephone number of the nearest Assistance Centre.

.....  
 .....  
 .....

- The system supplier must carefully inform the user about:
  - the use of the system;
  - any further tests that may be required before activating the system;
  - maintenance, and the need to have the system checked at least once a year by a representative of the manufacturer or another specialised technician.
 To ensure a periodic check, the manufacturer recommends the drawing up of a Maintenance Contract.

## 2.2 Guarantee and responsibility

The Manufacturer guarantees its new products from the date of installation, in accordance with the regulations in force and/or the sales contract. At the moment of the first start-up, check that the burner is integral and complete.



**WARNING**

Failure to observe the information given in this manual, operating negligence, incorrect installation and carrying out of non authorised modifications will result in the annulment by the manufacturer of the guarantee that it supplies with the burner.

In particular, the rights to the guarantee and the responsibility will no longer be valid, in the event of damage to things or injury to people, if such damage/injury was due to any of the following causes:

- incorrect installation, start-up, use and maintenance of the burner;
- improper, incorrect or unreasonable use of the burner;
- intervention of unqualified personnel;
- carrying out of unauthorised modifications on the equipment;
- use of the burner with safety devices that are faulty, incorrectly applied and/or not working;
- installation of untested supplementary components on the burner;
- powering of the burner with unsuitable fuels;
- faults in the fuel supply system;
- continuation of use of the burner when a fault has occurred;
- repairs and/or overhauls incorrectly carried out;
- modification of the combustion chamber with inserts that prevent the regular development of the structurally established flame;
- insufficient and inappropriate surveillance and care of those burner components most likely to be subject to wear and tear;
- use of non-original components, including spare parts, kits, accessories and optional;
- force majeure.

**The manufacturer furthermore declines any and every responsibility for the failure to observe the contents of this manual.**

The manufacturer's warranty is subject to correct burner, appliance and application matching, and set up in line with Manufacturer's instructions and guidelines. All components within the hydraulic circuit suitable for biofuel use and supplied by the manufacturer will be identified as bio-compatible. No warranty is given in relation to the use of components which are not so identified with biofuel blends. If in any doubt please contact the manufacturer for further advice.

If any burners are used with fuel with a bio content >30% then the components within the hydraulic circuit may be affected and are not covered under warranty. The hydraulic circuit consists of:

- pump
  - hydraulic ram (where applicable)
  - valve block
  - flexible oil lines (considered as a consumable component)
- 1 Irrespective of any warranty given by the manufacturer in relation to normal use and manufacturing defects, when fuels not meeting the relevant standards are used, or where fuel storage issues have not been addressed correctly, or the equipment used is not compatible, if failures occur which are directly or indirectly attributed to such issues and/or to the non-observance of this guidance, then no warranty or liability is implied or accepted by the manufacturer.
  - 2 The manufacturer has carefully chosen the specification of the bio-compatible components including the flexible oil lines to protect the pump, safety valve and nozzle. The manufacturer warranty is dependent upon the use of genuine components including the oil lines, being used.
  - 3 The manufacturer warranty does not cover defects arising from incorrect commissioning or servicing by non manufacturer employed service engineers, and any issues impacting the burner arising from external site related issues.

## 2.3 Guidance for the use of biofuel blends up to 30%

### Introduction

With increasing focus on renewable and sustainable energy requirements, biofuel usage is set to increase. The manufacturer is committed to promoting energy conservation and the use of renewable energy from sustainable resources including liquid biofuels, however there are some technical aspects that must be considered at the planning stage of using such fuels to reduce the potential for equipment failure or the risks of fuel leakage.

Liquid biofuel is a generic description used for oil that can come from numerous feed stocks including recycled cooking oils. These types of oils have to be considered and treated differently from standard mineral or fossil fuels, as they are generally more acidic, hygroscopic and less stable.

Due to this, a holistic approach is needed for the specification of the liquid biofuel, the storage of the fuel, its oil supply line and ancillary equipment, and very importantly the oil filtration and the burner itself. The specification for FAME (Fatty Acids Methyl Ester) liquid biofuel is critical to reliable equipment operation.

It is a minimum requirement that the fuel blend (up to 30% bio) is obtained with light oil in accordance with the relevant EN standards, regional regulations and FAME in accordance with EN 14214. It is also important that the fuel blends meet the environmental operating condition requisites of the relative EN standards.

When choosing your oil products where you know biofuels will be in use, please make sure that a bio-compatible burner and/or components have been supplied. If an existing burner is to be used with a liquid biofuel then a kit may be required to make it compatible and the guidance notes enclosed concerning oil storage and filtration must be adhered to. The end user is responsible for the thorough verification of the potential risks associated with the introduction of a biofuel blend and the suitability of the appliances and installation applicable.

Irrespective of any warranty given by the manufacturer in relation to normal use and manufacturing defects, when fuels not meeting the relevant standards are used, or where fuel storage issues have not been addressed correctly, or the equipment used is not compatible, if failures occur which are directly or indirectly attributed to such issues and/or to the non-observance of this guidance, then no warranty or liability is implied or accepted by the manufacturer.

### 2.3.1 Information and general instructions

To ensure consistency, the supplier of the fuel must be able to demonstrate compliance with a recognised Quality Control and management system to ensure high standards are maintained within the storage, blending and delivery processes.

The installation oil storage tank and its ancillaries must also be prepared BEFORE liquid biofuel is introduced.

Checks and preparation should include:

- For new installations, make sure that all materials and seals in the oil storage and supply line to the burner are compatible with biofuels. For all installations, there must be a good quality bio-compatible oil filter at the tank and then a secondary filter of 60 Microns protecting the burner from contamination.
- If an existing oil storage tank is to be used then in addition to the materials checks as detailed above, it will be essential that the tank is first inspected for condition and checked for water or other contamination. The manufacturer strongly recommends that the tank is cleaned and oil filters replaced prior to biofuel delivery. If this is not completed then due to

the hygroscopic nature of biofuel, it will effectively clean the tank, absorb water present which in turn will result in equipment failure that is not covered by the manufacturer's warranty.

- Depending on the capacity of the oil storage tank and oil usage, fuels may remain static within the tank for some considerable time and so the manufacturer recommends that the oil distributor is consulted regarding the use of additional biocides within the fuel to prevent microbial growth from occurring within the tank. The manufacturer suggests that fuel suppliers and or service companies be contacted for guidance on fuel filtration. Special attention should be applied to dual fuel applications where oil may be stored for long periods of time.
- The burner must be set according to the appliance application and commissioned checking that all combustion parameters are as recommended in the appliance technical manual.
- The manufacturer recommends that the in line and burner oil pump filters are inspected and if required replaced at least every 4 months during burner use, before the burner start-up following a long period of discontinuous operation and even more frequently where contamination has occurred. Particular attention is needed when inspecting and checking for fuel leakages from seals, gaskets and hoses.

### 2.3.2 Product Disclaimer Statement

**CAREFULLY READ THE FOLLOWING DISCLAIMER. YOU ACCEPT AND AGREE TO BE BOUND BY THIS DISCLAIMER BY PURCHASING BIO-COMPATIBLE BURNERS AND/OR COMPONENTS.**

Although the information and recommendations (hereinafter "Information") in this guidance is presented in good faith, believed to be correct and has been carefully checked, the manufacturer (and its subsidiaries) makes no representations or warranties as to the completeness or accuracy of the Information. Information is supplied upon the condition that the persons receiving same will make their own determination as to its suitability for their purposes prior to use. In no event will the manufacturer (and its subsidiaries) be responsible for damages of any nature whatsoever resulting from the use of or reliance upon Information. Other than set forth herein, the manufacturer (and its subsidiaries) makes no additional warranties with respect to the bio-compatible burner, either express or implied, including that of marketability or fitness for a particular purpose or use.

In no event shall the manufacturer (and its subsidiaries) be liable for any indirect, incidental, special or consequential damages including, without limitation, loss of profits, damages for loss of business profits, business interruption, loss of business information, loss of equipment, or other pecuniary loss or compensation for services whether or not it is advised of the possibility of such damages.

With the exception of injuries to persons, the manufacturer's liability is limited to the customer's right to return defective/non-conforming products as provided by the relevant product warranty.



## 3 Safety and prevention

### 3.1 Introduction

The burners have been designed and built in compliance with current regulations and directives, applying the known technical rules of safety and envisaging all the potential danger situations.

It is necessary, however, to bear in mind that the imprudent and clumsy use of the equipment may lead to situations of death risk for the user or third parties, as well as the damaging of the burner or other items. Inattention, thoughtlessness and excessive confidence often cause accidents; the same applies to tiredness and sleepiness.

It is a good idea to remember the following:

- The burner must only be used as expressly described. Any other use should be considered improper and therefore dangerous.

In particular:

it can be applied to boilers operating with water, steam, diathermic oil, and to other uses expressly foreseen by the manufacturer;

the type and pressure of the fuel, the voltage and frequency of the electrical power supply, the minimum and maximum deliveries for which the burner has been regulated, the pressurisation of the combustion chamber, the dimensions of the combustion chamber and the room temperature must all be within the values indicated in the instruction manual.

- Modification of the burner to alter its performance and destinations is not allowed.
- The burner must be used in exemplary technical safety conditions. Any disturbances that could compromise safety must be quickly eliminated.
- Opening or tampering with the burner components is not allowed, apart from the parts requiring maintenance.
- Only those parts envisaged by the manufacturer can be replaced.



The manufacturer guarantees safety and proper functioning only if all burner components are intact and positioned correctly.

### 3.2 Safety warnings

The dimension of the boiler's combustion chamber must respond to specific values, in order to guarantee a combustion with the lowest polluting emissions rate.

The Technical Service Personnel will be glad to give you all the information for a correct matching of this burner to the boiler.

This burner must only be used for the application it was designed for.

The manufacturer accepts no liability within or without the contract for any damage caused to people, animals and property due to installation, adjustment and maintenance errors or to improper use.

### 3.3 Basic safety rules

- Children or inexperienced persons must not use the appliance.
- Under no circumstances must the intake grids, dissipation grids and ventilation vents in the installation room be covered up with cloths, paper or any other material.
- Unauthorised persons must not attempt to repair the appliance.
- It is dangerous to pull or twist the electric leads.
- Cleaning operations must not be performed if the appliance is not disconnected from the main power supply.
- Do not clean the burner or its parts with inflammable substances (e.g. petrol, alcohol, etc.). The cover must be cleaned with soapy water.
- Do not place anything on the burner.
- Do not block or reduce the size of the ventilation vents in the installation room.
- Do not leave containers and inflammable products or combustible materials in the installation room.

### 3.4 Personnel training

The user is the person, body or company that has acquired the machine and intends to use it for the specific purpose. He is responsible for the machine and for the training of the people working around it.

The user:

- undertakes to entrust the machine exclusively to suitably trained and qualified personnel;
- undertakes to inform his personnel in a suitable way about the application and observance of the safety instructions. With that aim, he undertakes to ensure that everyone knows the use and safety instructions for his own duties;
- Personnel must observe all the danger and caution indications shown on the machine.
- Personnel must not carry out, on their own initiative, operations or interventions that are not within their province.
- Personnel must inform their superiors of every problem or dangerous situation that may arise.
- The assembly of parts of other makes, or any modifications, can alter the characteristics of the machine and hence compromise operating safety. The manufacturer therefore declines any and every responsibility for any damage that may be caused by the use of non-original parts.

In addition:



- must take all the measures necessary to prevent unauthorised people gaining access to the machine;
- the user must inform the manufacturer if faults or malfunctioning of the accident prevention systems are noticed, along with any presumed danger situation;
- personnel must always use the personal protective equipment envisaged by legislation and follow the indications given in this manual.

**4 Technical description of the burner**

**4.1 Models available**

Designation	Voltage	Code
RDB 3.2 BT 58/70	1/230V/50Hz	20157841

Tab. A

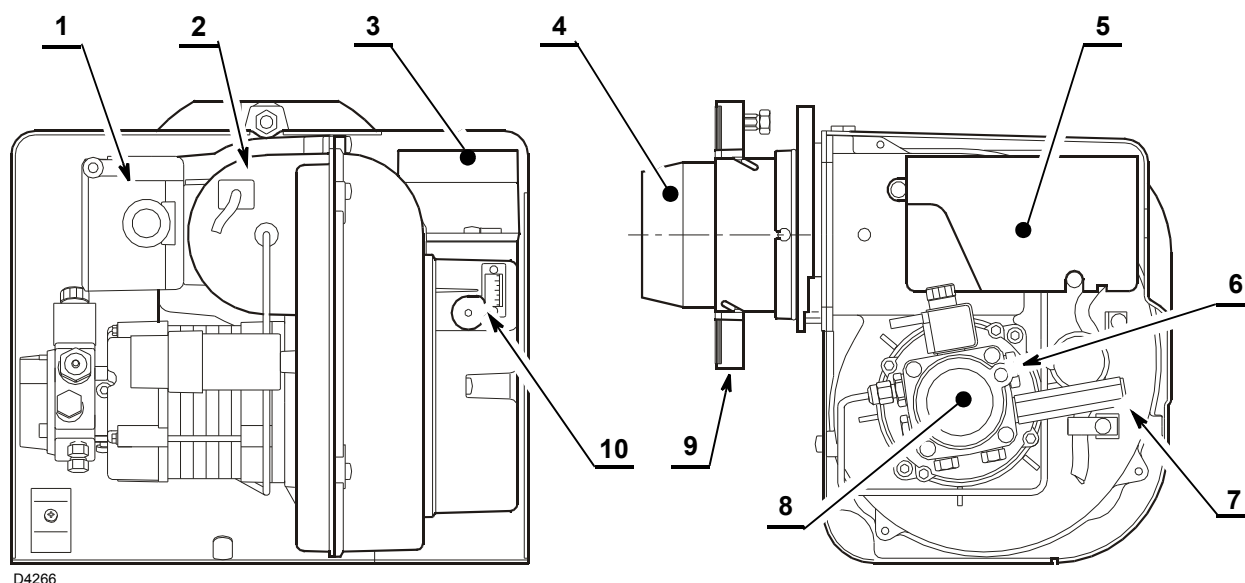
**4.2 Technical data**

Model		RDB 3.2 BT 58/70
Delivery (1)	kg/h	4.9 - 5.9
Output range (1)	kW	58 - 70
Output power (1)	kW	58
Fuel		Kerosene, viscosity 1.6 – 6 mm <sup>2</sup> /s at 20 °C
Electrical supply		Single phase, ~ 50Hz 230 V ± 10%
Motor	rpm	2750
	rad/s	288
	W	150
	A	1.3
Capacitor	µF	5
Ignition transformer		Secondary 8 kV – 25 mA
Pump		Kerosene, maximum pressure 10 bar (145 psi)
Absorbed electrical power	kW	0.24

(1) Reference conditions: Ambient temperature 20°C - Barometric pressure 1013 mbar - Altitude 0 m a.s.l.  
(H<sub>i</sub> = 11.86 kWh/kg).

Tab. B

**4.3 Burner description**



D4266

Fig. 1

- |   |                                 |    |                             |
|---|---------------------------------|----|-----------------------------|
| 1 | Reset button with lock-out lamp | 8  | Pump                        |
| 2 | Flame sensor                    | 9  | Flange                      |
| 3 | Snorkel (BF)                    | 10 | Air damper adjustment screw |
| 4 | Blast tube                      |    |                             |
| 5 | Control box                     |    |                             |
| 6 | Pump pressure adjustment screw  |    |                             |
| 7 | Pressure gauge port             |    |                             |

**4.4 Burner equipment**

Additional sheet.....	No. 1
CF air intake.....	No. 1
Flange - gasket .....	No. 1
Flexible oil pipe with nipple 3/8 - 1/4 .....	No. 1
Hexagonal wrench 3 mm .....	No. 1
Screw of by-pass pump.....	No. 1
Screw and nut to fix the burner to the flange .....	No. 1
Screws and nuts to fix the burner to the boiler.....	No. 4
Instruction.....	No. 1
Spare parts list.....	No. 1



The hoses supplied with this burner set for Kerosene use are not suitable for use with Gas oil containing a Bio blend.

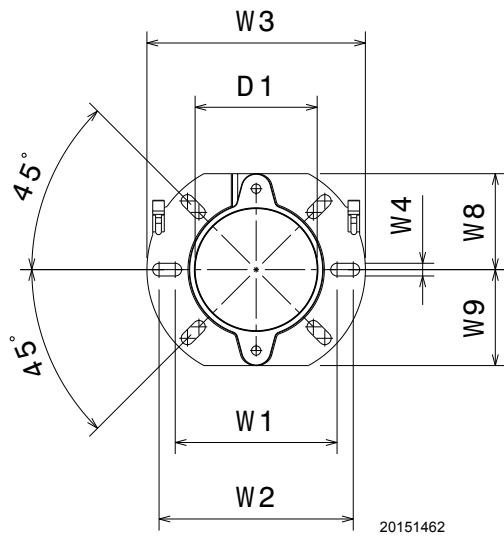
Please refer to the spare part list for the specific hoses suitable for bio fuel use.

In case of use with gas oil containing up to 30% Bio blend, it will be essential to use flexible oil lines suitable for bio fuel use.

Please contact Riello for further information.

**4.5 Burner dimensions**

**Flange**



D1	W1	W2	W3	W8	W9
106	140	168	189	83	83

Tab. C

Fig. 2

**Burner**

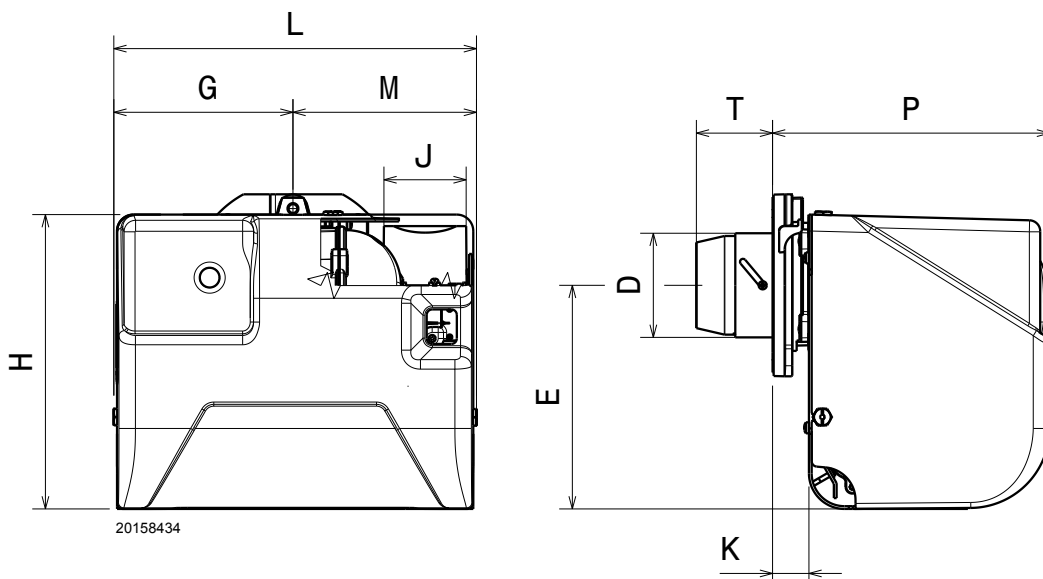


Fig. 3

D	E	G	H	J	K	L	M	P	T
95	204	163	268	75	30	330	167	253	69 ÷ 87

Tab. D

**5 Installation**

**5.1 Notes on safety for the installation**

After carefully cleaning all around the area where the burner will be installed, and arranging the correct lighting of the environment, proceed with the installation operations.



All the installation, maintenance and disassembly operations must be carried out with the electricity supply disconnected.



The installation of the burner must be carried out by qualified personnel, as indicated in this manual and in compliance with the standards and regulations of the laws in force.

**5.2 Handling**

The packaging of the burner includes a carton box, so it is possible to move the burner (still packaged) with a transpallet truck or fork lift truck.



The handling operations for the burner can be highly dangerous if not carried out with the greatest attention: keep any unauthorised people at a distance; check the integrity and suitability of the available means of handling. Check also that the area in which you are working is empty and that there is an adequate escape area (i.e. a free, safe area to which you can quickly move if the burner should fall). When handling, keep the load at not more than 20-25 cm from the ground.



After positioning the burner near the installation point, correctly dispose of all residual packaging, separating the various types of material. Before proceeding with the installation operations, carefully clean all around the area where the burner will be installed.

**5.3 Preliminary checks**

**Checking the consignment**



After removing all the packaging, check the integrity of the contents. In the event of doubt, do not use the burner; contact the supplier.



The packaging elements (wooden cage or cardboard box, nails, clips, plastic bags, etc.) must not be abandoned as they are potential sources of danger and pollution; they should be collected and disposed of in the appropriate places.

**Checking the characteristics of the burner**

Check the identification label (Fig. 4) of the burner, showing:

- A the burner model
- B the burner type
- C the burner code
- D the serial number of the burner
- E the year of manufacture in cryptographic type
- F the burner output data
- G the electrical supply and absorption data
- H the types of fuel used
- I the short circuit current and the max absorption current

<b>R.B.L.</b>	A		B	C
D	E	F		
G	G	I		
H		I		CE
		RIELLO S.p.A. I-37045 Legnago (VR)		

20138461

**Fig. 4**



A burner label that has been tampered with, removed or is missing, along with anything else that prevents the definite identification of the burner makes any installation or maintenance work difficult.

### 5.4 Installer/Service notes for the use of Gas oil with Bio blends up to 30% where gas oil use is permitted by the appliance Manufacturer

- During the burner installation, check that the gasoil and bio fuel blends are in accordance with Riello specifications (please refer to the chapters "Technical Data" and "Guidance for the use of bio fuel blends up to 30%" within the burner technical manual).
- If a Bio blend is in use the installer must seek information from the end user that their fuel supplier can evidence that the blends of fuel conform to the relevant standards.
- Check that the materials used in the construction of the oil tank and ancillary equipment are suitable for bio fuels, If not these must be upgraded or replaced with Bio compatible parts.
- Particular attention should be given to the oil storage tank and supply to the burner. Riello recommends that existing oil storage tanks are cleaned, inspected and any traces of water are removed BEFORE bio fuel is introduced (Contact the tank manufacturer or oil supplier for further advice). If these recommendations are not respected this will increase the risk of contamination and possible equipment failure.
- In line oil filters should be replaced making sure that they are Bio compatible. Riello recommends a good quality bio compatible oil filter at the tank and a secondary 60 micron filter are used to protect the burner pump and nozzle from contamination.
- The burner hydraulic components and flexible oil lines must be suitable for bio fuel use (check with Riello if in doubt). Riello have carefully chosen the specification of the bio compatible components including the flexible oil lines to protect the pump, safety valve and nozzle. The Riello warranty is dependent upon the use of Riello genuine components including the oil lines, being used. The burner must be commissioned and combustion parameters set to appliance manufacturer's recommendations.
- Regularly check visually for any signs of oil leakage from seals, gaskets and hoses.
- It is strongly recommended that with Bio fuel use, oil filters are inspected and replaced every 4 months. More regularly where contamination is experienced.
- During extended periods of non operation and/or where burners are using oil as a standby fuel, it is strongly recommended that the burner is put into operation for short periods at least every three months.

### 5.5 Working position



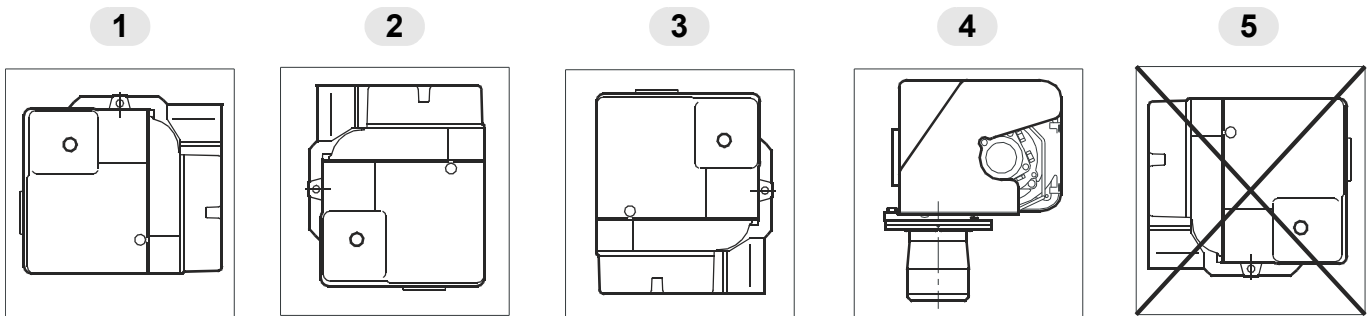
**WARNING**

The burner is designed to operate only in the positions **1**, and **3** (Fig. 5). Installation **1** is preferable, as it is the only one that allows performing maintenance operations as described in this manual. Installations **2**, **3** and **4** allow working operations but not maintenance with hooking to the boiler.



**DANGER**

Any other position could compromise the correct operation of the appliance. Installation **5** is forbidden for safety reasons.



D4618

**Fig. 5**

5.6 Boiler fixing



Prepare a suitable lifting system.

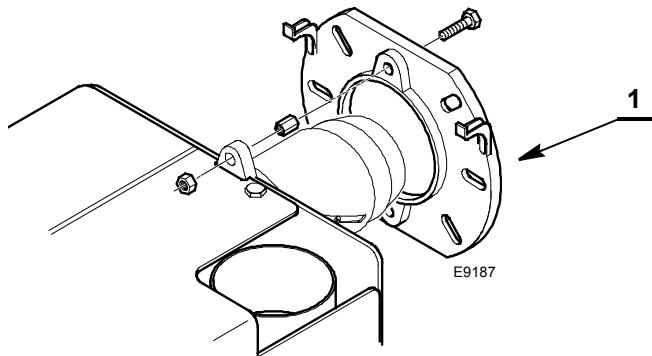


Fig. 6

- Put on the flange 1)(Fig. 6) the screw and two nuts.
- Widen, if necessary, the insulating gasket holes (5), (see Fig. 7).
- Fix the flange 1)(Fig. 8) to the boiler door 4) using screws 2) and (if necessary) the nuts 3) interposing the insulating gasket 5).

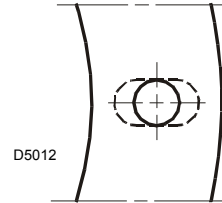


Fig. 7



The seal between burner and boiler must be airtight.

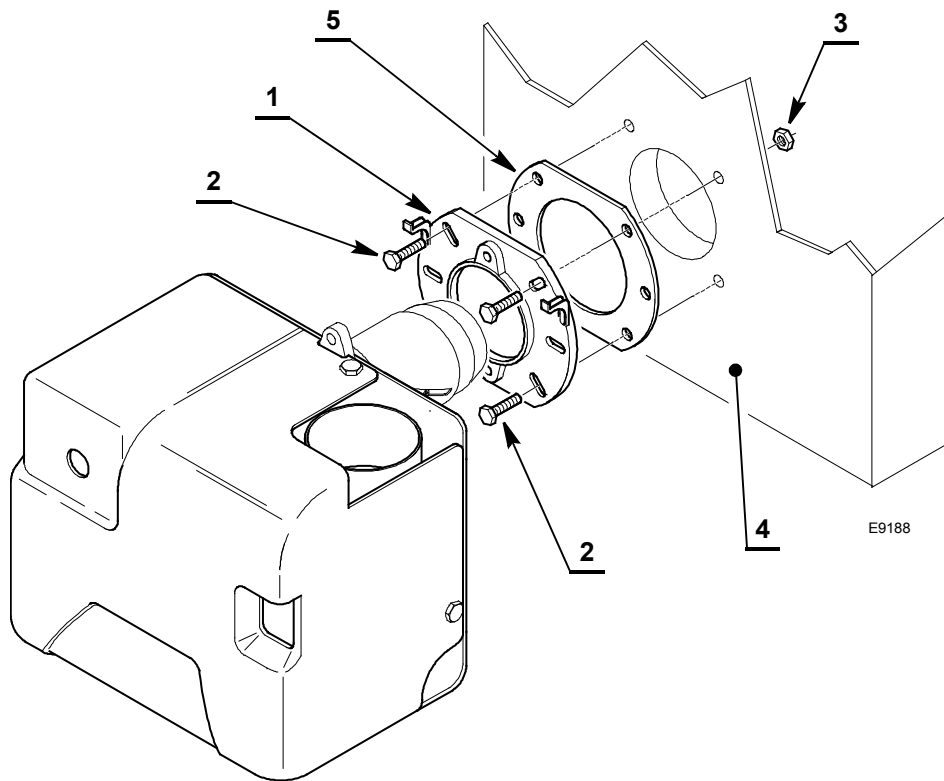


Fig. 8

### 5.7 Burner assembly

#### CF Application

In case of **CF** applications, the burner shall not operate without protection **(A)** of the suction inlet.

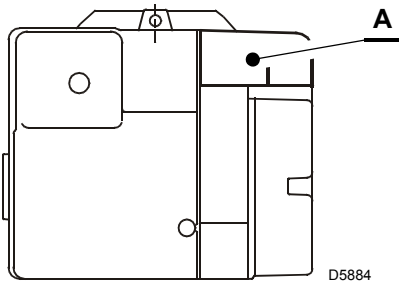


Fig. 9



Length is reduced if there are bends in the intake section.

For instance, using a tube with a smooth inside surface, you must allow for the following losses:

- for each 45° bend, tube length is reduced by 0.5 m;
- for each 90° bend, tube length is reduced by 0.8 m.

#### NOTE:

**Burner installation must in any case comply with the flue systems included within the boiler approved configuration.**



- Under no circumstances should the air's entry in the hose intake area be obstructed.
- The hose must not be blocked in any way or feature a shutting device (valves, membranes etc.).

#### BF Application



**The temperature of the incoming air must not exceed 70 °C.**



For correct BF application, the burner must be installed on an appropriate BF boiler.

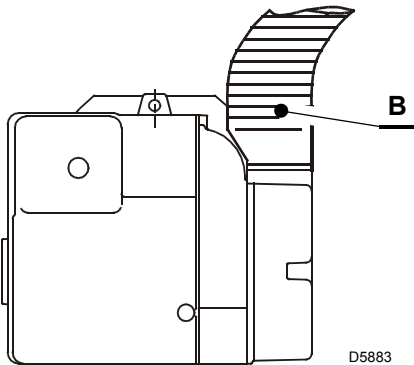


Fig. 10

The combustion air supply is through a flexible or rigid pipe connected to the air intake.

Consequently, you must comply with the following requirements and instructions:

- The combustion air intake tube must be:
  - fastened securely to the burner;
  - made of a suitable material, with temperature characteristics in the range - 30 °C to 80 °C;
  - in compliance with all requirements of applicable regulations in force in the country of destination.
- The intake-tube / burner system must not allow a loss of over 2 m<sup>3</sup>/h at 0.5 mbar:

for instance, the above requirements will be met if you use flues for pressure exhaust of flue gases (the condensation kind).

- Make sure the air intake tube's inlet is positioned so that it is not likely to be obstructed by foreign matter and, where necessary, use suitable screens.
- The inside diameter of the hose must be at least 80 mm.
- The intake tube can be up to 6 metres in length.



## 6 Hydraulic systems

### 6.1 Fuel supply

#### 6.1.1 Pump

The pump is designed to allow working with one pipe.

In order to obtain two pipes working it is necessary to unscrew the return plug 2)(Fig. 11), screw the by-pass screw 3),supplied as burner equipment and then screw the return hose.



**WARNING**

Where gas oil containing bio diesel is in use, it is recommended to avoid over oxygenation of the blended fuels.

Where at all possible avoid the use of two pipe systems where the circulated fuel is returned to the tank.

If this cannot be avoided make sure that the return pipe is normally below the surface of the fuel level within the storage tank. See Fig. 14.



**WARNING**

The suction plug 1) is made of plastic. Once removed, it must not be used again.

In single pipe installations, the plug in the return line 2) must be totally in steel.



**WARNING**

In case of use with gas oil containing up to 30% Bio blend, it will be essential to use flexible oil lines suitable for bio fuel use.

Please contact Riello for further information.

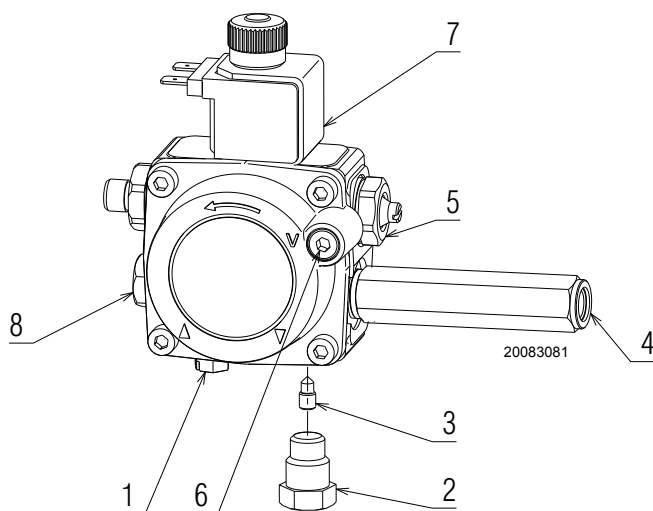


Fig. 11

Key (Fig. 11)

- 1 Suction line
- 2 Return line
- 3 By-pass screw
- 4 Gauge connection
- 5 Pressure adjuster
- 6 Vacuum gauge connection
- 7 Valve
- 8 Auxiliary pressure test point

### 6.2 One pipe system

Pressurised one pipe systems (Fig. 12) have a positive fuel pressure on intake to the burner.

Usually the tank is higher than the burner, or the fuel pumping systems are on the outside of the boiler.

Vacuum one pipe systems (Fig. 13) have a negative fuel pressure (depression) on intake to the burner.

Usually the tank is lower than the burner.



You are advised to use additional filters on the fuel supply line.

Riello recommends a good quality fuel filter at the tank (Fig. 12 - Fig. 13) and a secondary filter (60  $\mu$  for gas oil and 15  $\mu$  for kerosene) are used to protect the burner pump and nozzle from contamination.

In case of Biodiesel use, pay attention to install Biocompatible filters.

#### 6.2.1 Priming pump

On the system in Fig. 12 it is sufficient to loosen the plug of the vacuum gauge 6 (Fig. 11) and wait until the fuel flows out.

On the system in Fig. 13 start the burner and wait for the priming. Should lock-out occur prior to the arrival of the fuel, await at least 20 seconds before repeating the operation.



The installer must ensure that the supply pressure is not above 0.5 bar.

Above that level, the pump seal is subject to too much stress.

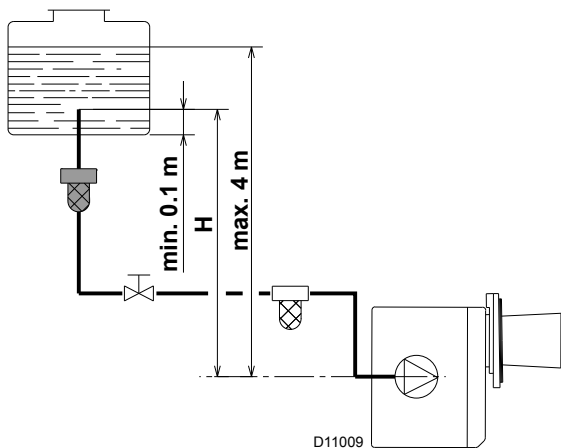


Fig. 12

H metres	L metres	
	I.D. (8 mm)	I.D. (10 mm)
0.5	10	20
1	20	40
1.5	40	80
2	60	100

Tab. E

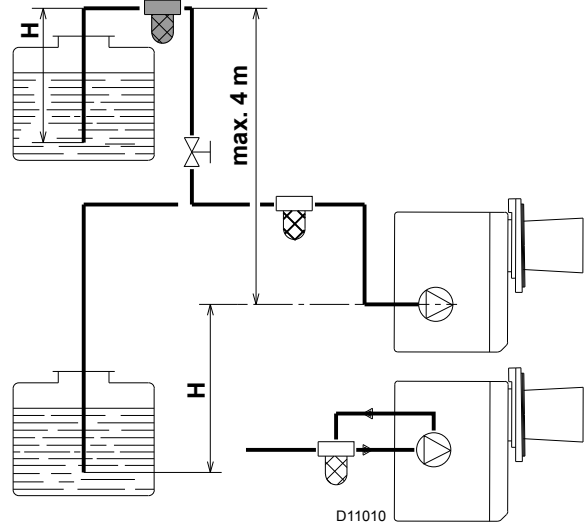


Fig. 13

H metres	L metres	
	I.D. (8 mm)	I.D. (10 mm)
0	35	100
0.5	30	100
1	25	100
1.5	20	90
2	15	70
3	8	30
3.5	6	20

Tab. F

H difference of level

L max. length of the suction line

I.D. internal diameter of the oil pipes

**NOTE:**

The Tab. E and Tab. F show the maximum approximate lengths for the supply line, depending on the difference in level, length, and the diameter of the fuel conduit.

### 6.3 Two pipe system

Vacuum two pipe systems (Fig. 14) have a negative fuel pressure (depression) on intake to the burner.

Usually the tank is lower than the burner.

The return line should terminate in the oil tank at the same level as the suction line; in this case a non-return valve is not required.

Should however the return line arrives over the fuel level, the non-return valve is indispensable. This solution however is less safe than previous one, due to the possibility of leakage of the valve.



You are advised to use additional filters on the fuel supply line.

Riello recommends a good quality fuel filter at the tank (Fig. 14) and a secondary filter (60  $\mu$  for gas oil and 15  $\mu$  for kerosene) are used to protect the burner pump and nozzle from contamination.

In case of Biodiesel use, pay attention to install Biocompatible filters.

#### 6.3.1 Priming pump



Before starting the burner make sure that the return pipe-line is not clogged: any obstruction would cause the pump seals to break.

On the system in Fig. 14 start the burner and wait for the priming. Should lock-out occur prior to the arrival of the fuel, await at least 20 seconds before repeating the operation.



The pump vacuum should not exceed a maximum of 0.4 bar (30 cm Hg). Beyond this limit gas is released from the oil.

H metres	L metres	
	I.D. (8 mm)	I.D. (10 mm)
0	35	100
0.5	30	100
1	25	100
1.5	20	90
2	15	70
3	8	30
3.5	6	20

Tab. G

**H** difference of level

**L** max. length of the suction line

**I.D.** internal diameter of the oil pipes

**NOTE:**

The Tab. G shows the maximum approximate lengths for the supply line, depending on the difference in level, length, and the diameter of the fuel conduit.

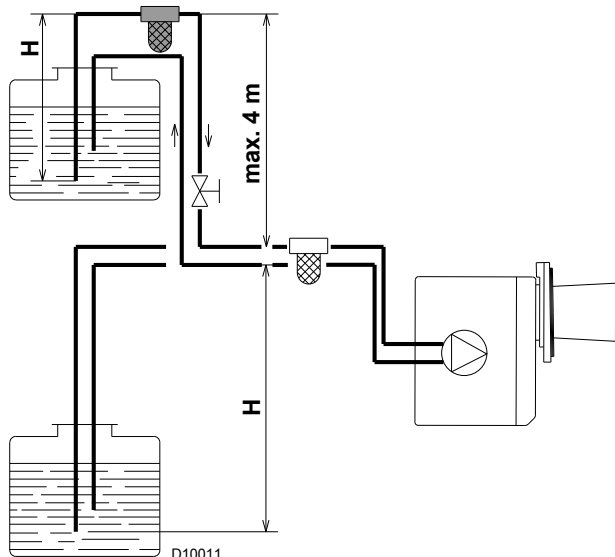


Fig. 14

## 7 Electrical system

### 7.1 Notes on safety for the electrical wiring



DANGER

- The electrical wiring must be carried out with the electrical supply disconnected.
- Electrical wiring must be carried out by qualified personnel and in compliance with the regulations currently in force in the country of destination. Refer to the wiring diagrams.
- The manufacturer declines all responsibility for modifications or connections different from those shown in the wiring diagrams.
- Do not invert the neutral with the phase in the electrical supply line.
- Check that the electrical supply of the burner corresponds to that shown on the identification label and in this manual.
- The burners have been set for intermittent operation. This means they should compulsorily be stopped at least once every 24 hours to enable the control box to perform checks of its own start-up efficiency. Normally the boiler's thermostat/pressure switch ensures the stopping of the burner.  
If this is not the case, it is necessary to apply in series with L - N a timer switch that turns off the burner at least once every twenty-four hours. Refer to the wiring diagrams.
- The electrical safety of the device is obtained only when it is correctly connected to an efficient earthing system, made according to current standards. It is necessary to check this fundamental safety requirement. In the event of doubt, have the electrical system checked by qualified personnel.
- The electrical system must be suitable for the maximum input power of the device, as indicated on the label and in the manual, checking in particular that the section of the cables is suitable for the input power of the device.
- For the main power supply of the device from the electricity mains:
  - do not use adapters, multiple sockets or extensions;
  - use an omnipolar switch, as indicated by the current safety standards.
- Do not touch the device with wet or damp body parts and/or in bare feet.
- Do not pull the electric cables.

Before carrying out any maintenance, cleaning or checking operations:



DANGER

Disconnect the electrical supply from the burner by means of the main system switch.



DANGER

Close the fuel interception tap.



DANGER

Avoid condensate, ice and water leaks from forming.



After carrying out maintenance, cleaning or checking operations, reassemble the cover and all the safety and protection devices of the burner.

7.2 Electrical wiring

~ 50Hz - 230V

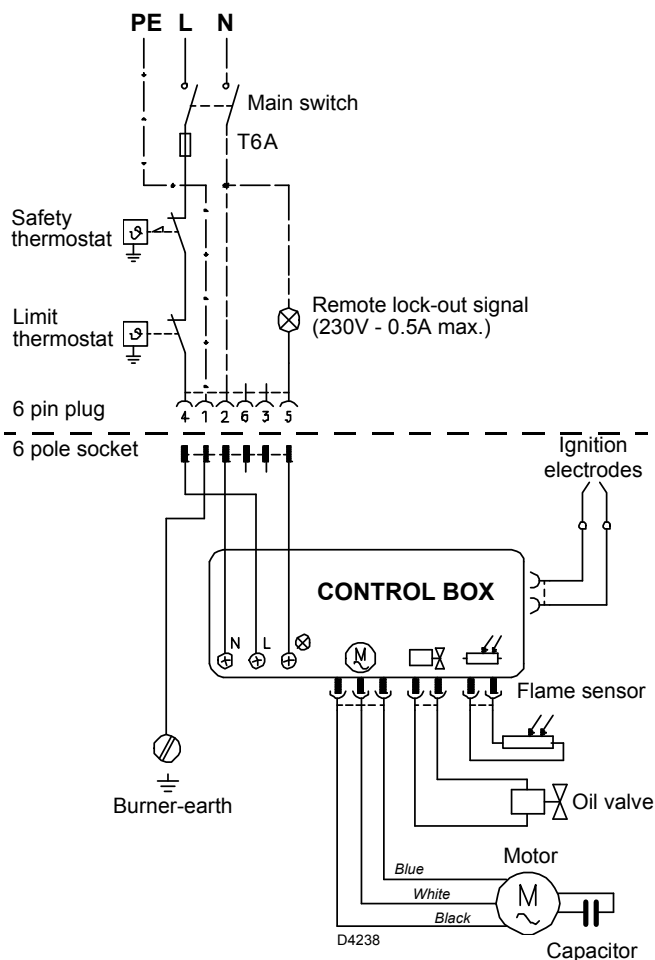


Fig. 15



**WARNING**

- Do not swap neutral and phase over, follow the diagram shown carefully and carry out a good earth connection.
- The electrical wiring carried out by the installer must be in compliance with the rules in force in the country.
- The section of the conductors must be at least 1mm<sup>2</sup>. (Unless requested otherwise by local standards and legislation).

**TESTING:**

Check the shut-down of the burner by opening the thermostats and the lock-out by darkening the flame sensor.

7.2.1 Control box



**DANGER**

This operation must be performed with the burner turned off and mains power disconnected.

To remove the control box (Fig. 16) from the burner follow of the instruction:

- Loosen the screw 1), open the protection 2) and remove all components.
- Remove the coil 3).
- Loosen the two screws 4).
- Move a little the control box and remove the high voltage leads.

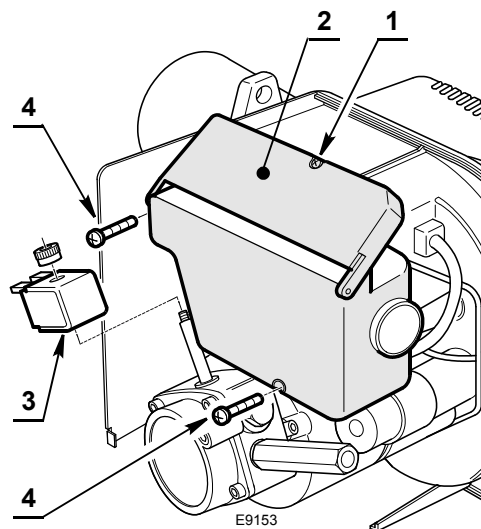


Fig. 16

**8 Start-up, calibration and operation of the burner**

**8.1 Notes on safety for the first start-up**



The first start-up of the burner must be carried out by qualified personnel, as indicated in this manual and in compliance with the standards and regulations of the laws in force.



Check the correct working of the adjustment, command and safety devices.

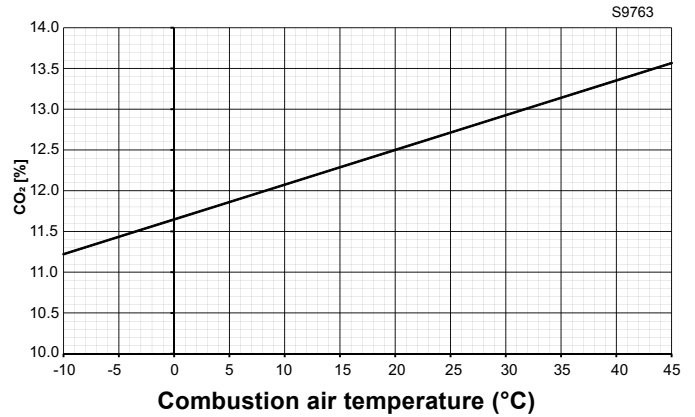
**8.2 Combustion adjustment**

In conformity with EN 267, the application of the burner on the boiler, adjustment and testing must be carried out observing the instruction manual of the boiler, including verification of the CO and CO<sub>2</sub> concentration in the flue gases, their temperatures and the average temperature of the water in the boiler.



The combustion air is sucked from outside, therefore, there can be sensitive temperature variations that can influence the percentage value of the CO<sub>2</sub>. It is advisable to adjust the CO<sub>2</sub> according to the indicated diagram.

e.g. with a combustion air temperature of 20°C, adjust the CO<sub>2</sub> to 12.5% (± 0.2%).



**Fig. 17**

**Settings carried out in factory**

The values in Tab. H refer to 12.5% of CO<sub>2</sub>, at sea level and with an ambient and the light oil temperature of 20 °C.

Burner	Nozzle			Pump pressure	Burner output	Combustion head adjustment	Air damper adjustment
	Model	GPH	Angle	bar	kg/h ± 4%	Set-point	Set-point
RDB 3.2 BT 58/70	DANFOSS	1.75	45° S	8	4.9	1	6.7

**Tab. H**

**8.3 Nozzles installation**

The burner complies with the emission requirements of the EN 267 standard.

In order to guarantee that emissions do not vary, recommended and/or alternative nozzles specified by the manufacturer in the Instruction and warning booklet should be used.



It is advisable to replace nozzles every year during regular maintenance operations.



The use of nozzles other than those specified by the manufacturer and inadequate regular maintenance may result into emission limits non-conforming to the values set forth by the regulations in force, and in extremely serious cases, into potential hazards to people and objects.

The manufacturing company shall not be liable for any such damage arising from non-observance of the requirements contained in this manual.

**8.3.1 Nozzles recommended**

- Danfoss type S.

**8.4 Pump pressure**

The pump leaves the factory set for kerosene working.

**10 bar:** maximum pressure for kerosene.

**8.5 Maintenance position**

**Access to the combustion head, electrodes and nozzle**

- Loosing the fixing nut to the flange (1) and remove the burner out of the boiler.
- Hook the burner to the flange (1), by removing the blast tube (2) after loosening the fixing screws (3).
- Remove the small cables (4) from the electrodes (5) and the diffuser disc-holder assembly from the nozzle-holder (6) after loosening its fixing screw (7).
- Once replacement of the nozzle has been made, screw it and tighten it as shown in the Fig. 19.

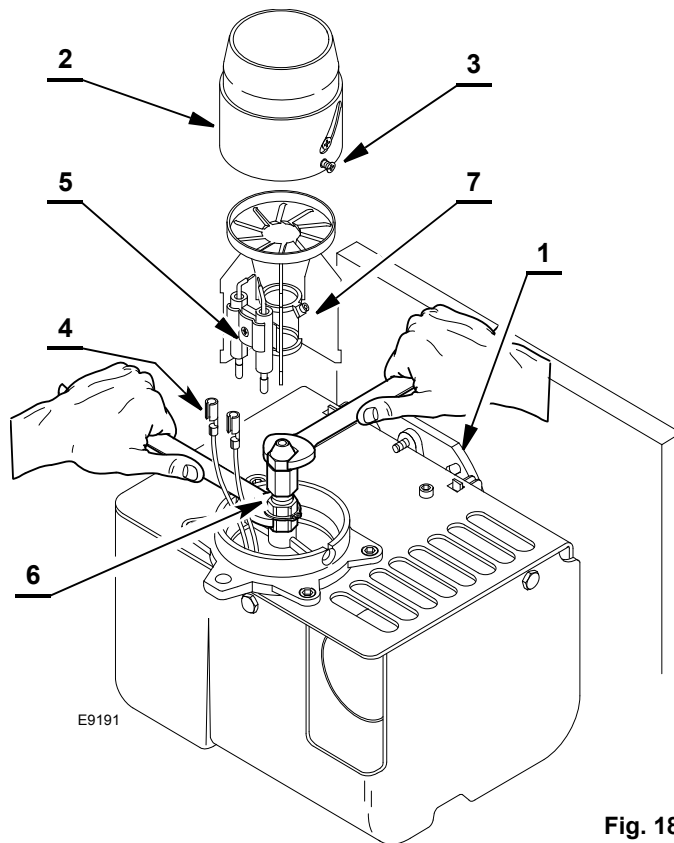


Fig. 18

**8.6 Air damper adjustment**

The settings indicated in the schedule refer to the combustion-chamber with “zero” depression. This regulation is purely indicative.

Each installation however, has its own unpredictable working conditions: actual nozzle output; positive or negative pressure in the combustion-chamber, the need of excess air, etc.

All these conditions may require a different air damper setting.

**8.7 Electrodes setting**



The position of the electrodes cannot be regulated. In case of failure, check that the measurements as shown on the figure are respected.

To adjust the diffuser disc unit, proceed as follows:

- loosen the screw (1, Fig. 19).
- Move the diffuser disc unit up to level **A**.
- Tighten the screw (1).

To adjust the electrodes unit, proceed as follows:

- loosen the screw (2, Fig. 18).
- Move the electrodes unit up to level **B**.
- Tighten the screw (2).

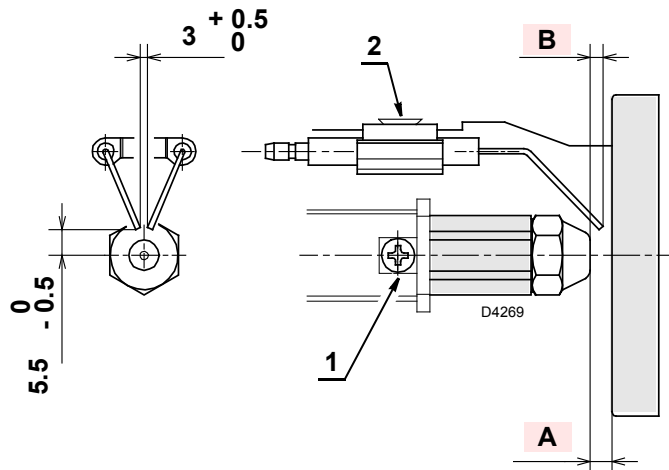


Fig. 19

<b>A</b>	6.5	+ 0.7 - 0.5
<b>B</b>	3.5	± 0.5

**8.8 Combustion head setting**

To adjust the combustion head, proceed as follows:

- loosen the two screws in the ring slots.
- Turn the blast tube to regulate it, until the end of the slotted ring centres up with the notch shown in the Tab. H on page 20.

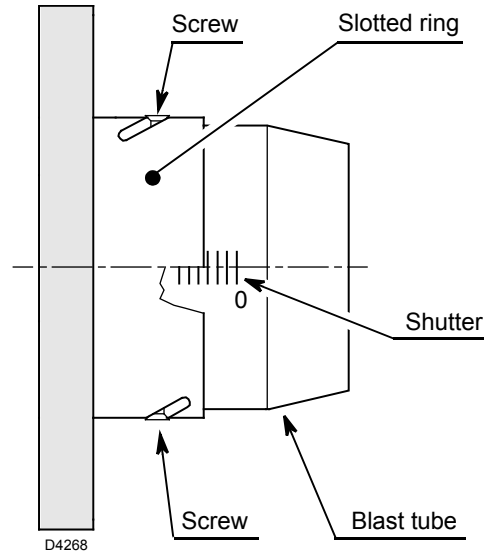
**Turn in a clockwise direction:**

in order to increase the volume of air entering the combustion chamber and thus diminishing its pressure. There is a reduction of CO<sub>2</sub> and the adhesion of the flame to the air diffuser disc improves. (Setting advisable for ignitions at low temperatures).

**Turn in an anticlockwise direction:**

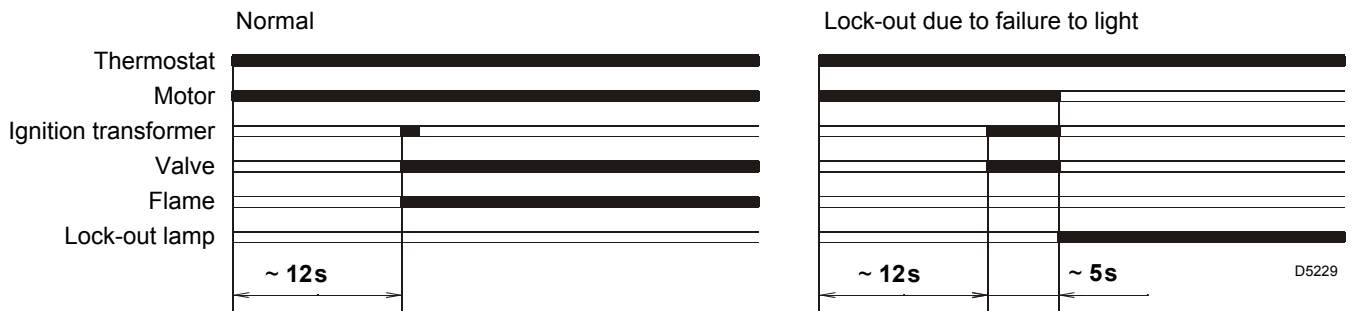
in order to reduce the volume of air entering the combustion chamber and thus increasing its pressure. The CO<sub>2</sub> improves and the adhesion of the flame to the diffuser tends to reduce. (This setting is not advisable for ignitions at low temperatures).

- Tighten the two screws.



**Fig. 20**

**8.9 Normal operation burner start-up cycle**



**Fig. 21**

Lock out is indicated by a lamp on the control box (5, Fig. 1 on page 9).



## 9 Maintenance

### 9.1 Notes on safety for the maintenance

The periodic maintenance is essential for the good operation, safety, yield and duration of the burner.

It allows you to reduce consumption and polluting emissions and to keep the product in a reliable state over time.



The maintenance interventions and the calibration of the burner must only be carried out by qualified, authorised personnel, in accordance with the contents of this manual and in compliance with the standards and regulations of current laws.

Before carrying out any maintenance, cleaning or checking operations:



disconnect the electricity supply from the burner by means of the main switch of the system;



isolate the fuel supply.

### 9.2 Maintenance programme

#### 9.2.1 Maintenance frequency

The combustion system should be checked at least once a year by a representative of the manufacturer or another specialised technician.

#### 9.2.2 Checking and cleaning



The operator must use the required equipment during maintenance.

##### Combustion head

Open the burner and make sure that all components of the combustion head are in good condition, not deformed by the high temperatures, free of impurities from the surroundings and correctly positioned.

Clean the combustion head in the fuel exit area, on the diffuser disc.

##### Burner

Check for excess wear or loose screws and clean the outside of the burner.

##### Fan

Check to make sure that no dust has accumulated inside the fan or on its blades, as this condition will cause a reduction in the air flow rate and provoke polluting combustion.

##### Flame sensor

Clean the flame sensor.

##### Electrodes

Check the correct position of electrodes

##### Nozzles

It is advisable to replace nozzles every year during regular maintenance operations.

Do not clean the nozzle openings; do not even open them.

##### Filters

Check the filtering baskets on line and at nozzle present in the system. Clean or replace if necessary.

If rust or other impurities are observed inside the pump, use a separate pump to lift any water and other impurities that may have deposited on the bottom of the tank.

##### Pump

Delivery pressure must correspond with the table on Tab. H on page 20. Please check that the supply line and filters are clear. The use of a pump vacuum gauge will assist in this.

This measure permits the cause of the anomaly to be traced to either the suction line or the pump.

If the problem lies in the suction line, check to make sure that the filter is clean and that air is not entering the piping.

##### Hoses

- Check periodically the flexible pipes conditions. They have to be replaced at least **every 2 years**.
- In case of use of gas oil and bio fuel blends, it is strongly recommended to inspect **even more frequently** the hoses and replace them where contamination has occurred.
- Check to make sure that the hoses are still in good condition.



The hoses supplied with this burner set for Kerosene use are not suitable for use with Gas oil containing a Bio blend.

Please refer to the spare part list for the specific hoses suitable for bio fuel use.

In case of use with gas oil containing up to 30% Bio blend, it will be essential to use flexible oil lines suitable for bio fuel use.

Please contact Riello for further information.

##### Fuel tank

If water or contamination is present within the fuel tank, it is essential that this is removed before the equipment is to be used. This is extremely important when gas oil containing Bio diesel is in use.

If in doubt about how to achieve this then please contact the fuel or oil tank supplier.

##### Boiler

Clean the boiler as indicated in the appliance accompanying instructions in order to maintain all the original combustion characteristics intact, especially the flue gas temperature and combustion chamber pressure.

**Combustion**

In case the combustion values found at the beginning of the intervention do not respect the standards in force or, in any case, do not correspond to a proper combustion, contact the Technical Assistant and have him carry out the necessary adjustments.

Allow the burner to work for 10 min. and then check the combustion readings with the parameters indicated within the appliance instruction manual.

**Then carry out a combustion check verifying:**

- Smoke temperature at the chimney;
- Content of CO<sub>2</sub> (%);
- Content of CO (ppm);
- Smoke value according to opacity smokes index according to Bacharach scale.

**9.2.3 Safety components**

The safety components must be replaced at the end of their life cycle indicated in Tab. I. The specified life cycles do not refer to the warranty terms indicated in the delivery or payment conditions.

<b>Safety component</b>	<b>Life cycle</b>
Flame control	10 years or 250,000 operation cycles
Flame sensor	10 years or 250,000 operation cycles
Gas valves (solenoid)	10 years or 250,000 operation cycles
Pressure switches	10 years or 250,000 operation cycles
Pressure adjuster	15 years
Servomotor (electronic cam) (if present)	10 years or 250,000 operation cycles
Oil valve (solenoid) (if present)	10 years or 250,000 operation cycles
Oil regulator (if present)	10 years or 250,000 operation cycles
Oil pipes/ couplings (metallic) (if present)	10 years
Flexible hoses (if present)	5 years or 30,000 pressurised cycles
Fan impeller	10 years or 500,000 start-ups

**Tab. I**

**10**    **Faults / Solutions**

Here below you can find some causes and the possible solutions for some problems that could cause a failure to start or incorrect operation of the burner.

A fault usually makes the lock-out lamp light which is situated inside the reset button of the control box (3, Fig. 1 on page 9).

When lock out lamp lights the burner will attempt to light only after pushing the reset button.

After this if the burner functions correctly, the lock-out can be attributed to a temporary fault.

If however the lock out continues the cause must be determined and the solution found.

Faults	Possible causes	Solution
The burner will not start when the limit thermostat closes.	Lack of electrical supply.	Check presence of voltage in the L - N clamps of the control box. Check the conditions of the fuses. Check that safety thermostat limit is not lock out.
	The flame sensor sees false light.	Eliminate the light.
	The connections in the control box are wrongly inserted.	Check and connect completely all the plugs.
Burner runs normally in the prepurge and ignition cycle and locks out after 5 seconds ca.	The flame sensor is dirty.	Clean it.
	The flame sensor is defective.	Change it.
	Flame moves away or fails.	Check pressure and output of the fuel.
		Check air output.
Change nozzle.		
Burner starts with an ignition delay.	The ignition electrodes are wrongly positioned.	Check the coil of solenoid valve.
	Air output is too high.	Adjust them according to the instructions of this manual.
	Nozzle dirty or worn.	Set the air output. Replace it.

**Tab. J**



**WARNING**

The manufacturer cannot accept responsibility for any damage to persons, animals or property due to error in installation or in the burner adjustment, or due to improper or unreasonable use or non observance of the technical instruction enclosed with the burner, or due to the intervention of un-qualified personnel.

---

**RIELLO**

RIELLO S.p.A.  
I-37045 Legnago (VR)  
Tel.: +39.0442.630111  
[http:// www.riello.it](http://www.riello.it)  
[http:// www.riello.com](http://www.riello.com)