

Bruciatori di gas ad aria soffiata

Blown gas burners

Brûleurs gaz à air soufflé

Gebläse-Gasbrenner

Funzionamento bistadio progressivo o modulante
Progressive two-stage or modulating operation
Fonctionnement à 2 allures progressive ou modulant
Gleitend-zweistufiger oder modulierender Betrieb

COD.

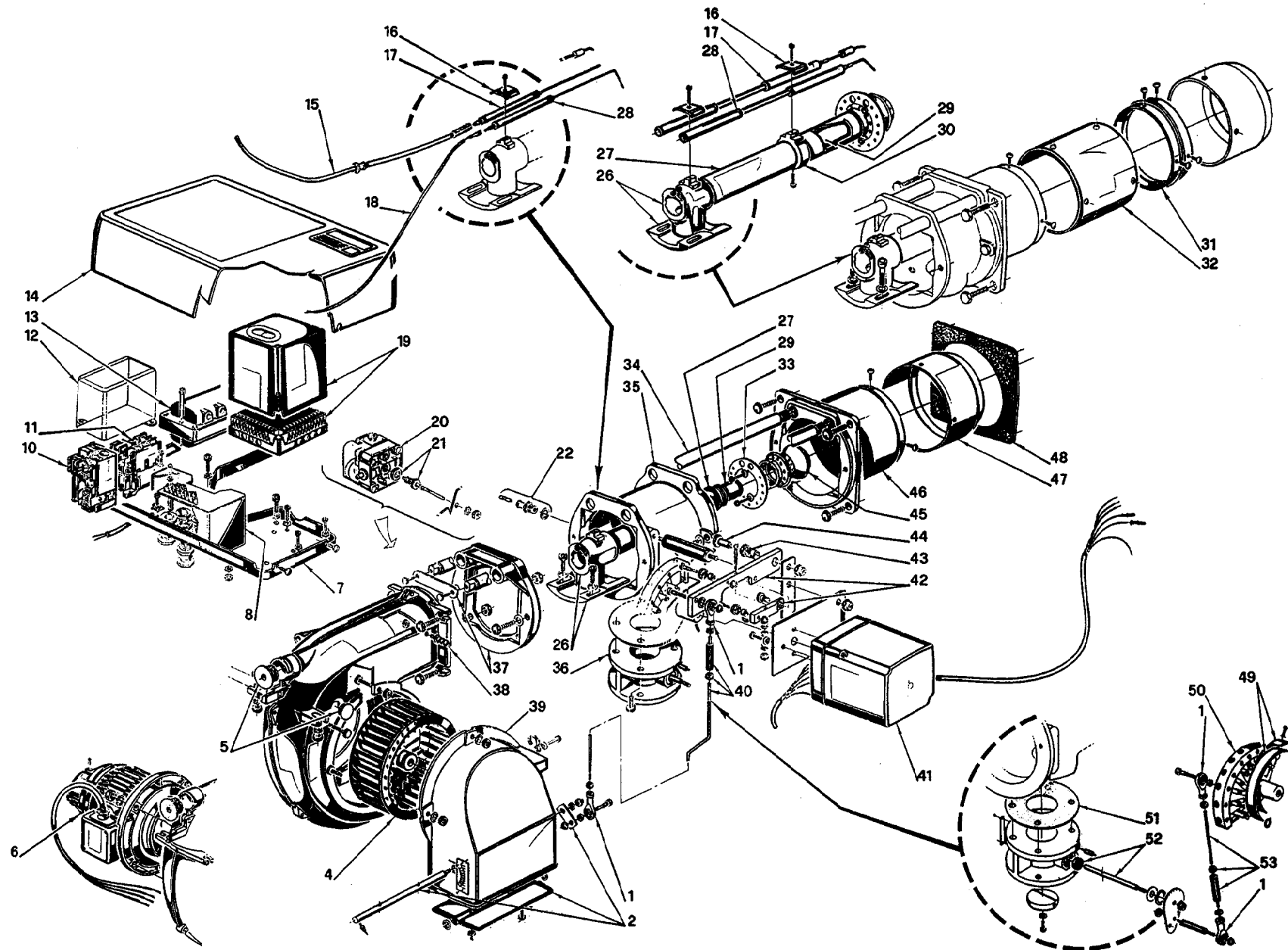
3753681

MOD.

GAS 6 P/M

TYP.

536 T80



N.	COD.	3753681-536T80	*	DESCRIZIONE	DESCRIPTION	DESCRIPTION	BESCHREIBUNG	MATRICOLA BRUCIATORE BURNER SERIAL NUMBER MATRICULE BRULEUR BRENNER KENN-NUMMER
1	3006098	●	●	SNODO SFERICO	PIN JOINT	CHAPE A ROTULE	KUGELGELENK	
2	3000710	●	●	GRUPPO SERRANDA	AIR DAMPER ASSEMBLY	GROUPE VOLET AIR	LUFTKLAPPE	
3								
4	3003067	●	●	GIRANTE	FAN	TURBINE	GEBLÄSERAD	
5	3003406	●	●	PROTEZIONE	GRID	PROTECTION	SCHUTZGITTER	
6	3003427	●	●	MOTORE	MOTOR	MOTEUR	MOTOR	
7	3003328	●	●	MENSOLA	BASE PLATE	PLAQUE DE SUPPORT	GRUNDPLATTE	
8	3003071	●	●	COPERCHIO	COVER	COUVERCLE	PVC ABDECKUNG	
9								
10	3002288	●	●	RELE' TERMICO	OVERLOAD	RELAIS THERMIQUE	ÜBERSTROMAUSLÖSER	
11	3002285	●	●	CONTATTORE	CONTACTOR	CONTACTEUR	SCHÜTZ	
12	3003072	●	●	COPERCHIO	COVER	COUVERCLE	PVC ABDECKUNG	
13	3006592	●	●	TRASFORMATORE	TRANSFORMER	TRANSFORMATEUR	ZÜNDTRANSFORMATOR	
14	3003329	●	●	COPERCHIO	COVER	COUVERCLE	DECKEL	
15	3006122	●	●	COLLEGAMENTO PER ELETTRODO	H.T. LEAD	CONNEXION POUR ELECTRODE	VERBINDUNG FÜR ELEKTRODE	
16	3003409	●	●	CAVALLOTTO	U BOLT	CAVALIER	BÜGELBOLZEN	
17	3005462	●		ELETTRODO CORTO	SHORT ELECTRODE	ELECTRODE COURTE	KURZE ELEKTRODE	
17	3000633		●	ELETTRODO LUNGO	SHORT ELECTRODE	ELECTRODE COURTE	KURZE ELEKTRODE	
18	3005442	●	●	COLLEGAMENTO PER SONDA	PROBE LEAD	CONNEXION POUR SONDE	VERBINDUNG FÜR SONDE	
19	3003078	●	●	APPARECCHIATURA	CONTROL BOX	BOITE DE CONTROLE	STEUERGERÄT	
20	3006593	●	●	PRESSOSTATO ARIA	AIR PRESSURE SWITCH	PRESSOSTAT AIR	LUFTDRUCKWÄCHTER	
21	3006594	●	●	RACCORDO PRESA ARIA	AIR PRESSURE SENSOR GROUP	RACCORD PRISE AIR	LUFTDRUCK SONDE	
22	3005447	●	●	GRUPPO MISURAZIONE	TEST POINT	PRISE DE PRESSION	MESSNIPPEL	
23								
24								
25								
26	3006853	●	●	GOMITO E GHIERA	ELBOW AND FERRULE	COUDE ET DISQUE	SCHLITTEN UND STELLRING	
27	3006642	●		TUBO ESTERNO	EXTERIOR TUBE	TUYAU EXTERIEUR	AUSSERER ROHR	
27	3003422		●	TUBO ESTERNO	EXTERIOR TUBE	TUYAU EXTERIEUR	AUSSERER ROHR	
28	3005461	●		SONDA CORTA	SHORT PROBE	SONDE COURTE	KURZE JONISATIONSELEKTRODE	
28	3000634		●	SONDA LUNGA	LONG PROBE	SONDE LONGUE	LANGE JONISATIONSELEKTRODE	
29	3006636	●		TUBO INTERNO	INTERIOR TUBE	TUYAU INTERIEUR	INNERER ROHR	
29	3003420		●	TUBO INTERNO	INTERIOR TUBE	TUYAU INTERIEUR	INNERER ROHR	
30	3003426		●	SUPPORTO ELETTRODI	ELECTRODE BRACKET	SUPPORT ELECTRODES	ELEKTRODEN HALTERUNG	
31	3000570		●	DENTE	CONNECTION SLEEVE	JONCTION	STAURING	
32	3000571		●	CILINDRO	SLEEVE	CYLINDRE	ZYLINDER	
33	3006053	●	●	DISCO	DISC	DISQUE	SCHEIBE	
34	3003418	●	●	PERNO	BAR	GLISSIERE	BOLZEN	
35	3003540	●	●	MANICOTTO	MANIFOLD	MANCHON	GASANSCHLUSS	
36	3006095	●	●	REGOLATORE GAS	BUTTERFLY VALVE	CLAPET GAZ	GASDROSSELKLAPPE	
37	3003417	●	●	COLLARE	COLLAR	COLLIER	INNERER FLANSCH	
38	3003322	●	●	RACCORDO	CONNECTOR	MAMELON	NIPPEL	
39	3003363	●	●	BOCCA D'ASPIRAZIONE	AIR INTAKE	BOITIER D'ASPIRATION	ANSAUGÖFFNUNG	
40	3003542	●	●	TIRANTE	TIE ROD	TIRANT	GESTÄNGE	

N.	COD.	3753681-536T80	*	DESCRIZIONE	DESCRIPTION	DESCRIPTION	BESCHREIBUNG	MATRICOLA BRUCIATORE BURNER SERIAL NUMBER MATRICULE BRULEUR BRENNER KENN-NUMMER
41	3006092	●	●	SERVOMOTORE	SERVOMOTOR	SERVOMOTEUR	STELLMOTOR	
42	3003538	●	●	LEVISMO	LIFTING ASSEMBLY	LEVIER DE TRANSMISSION	HEBELSYSTEM	
43	3003144	●	●	RACCORDO	CONNECTOR	MAMELON	NIPPEL	
44	3003143	●	●	VITE	SCREW	VIS	SCHRAUBE	
45	3006060	●	●	DISTRIBUTORE	GAS HEAD	DISTRIBUTEUR	GASVERTEILER	
46	3005472	●	●	BOCCAGLIO	BLAST TUBE	GUEULARD	BRENNERFLANSCH	
47	3005477	●	●	IMBUTO FIAMMA	END CONE	EMBOUT GUEULARD	FLAMMENROHR	
48	3005742	●	●	SCHERMO	FLANGE GASKET	ECRAN THERMIQUE	FLANSCHDICHTUNG	
49	3006097	●	●	MOLLA PER CAMMA	FLAT SPRING	RESSORT PLAT	KURVENBAND	
50	3006093	●	●	CAMMA COMPLETA	CAM ASSEMBLY	CAME COMPLETE	VERBUNDREGLER	
51	3005482	●	●	GUARNIZIONE	SEAL	RONDELLE	FLANSCHDICHTUNG	
52	3006132	●	●	ALBERO E ANELLO	SHAFT AND RING	AXE ET CLIP	WELLE UND RING	
53	3003543	●	●	TIRANTE	TIE ROD	TIRANT	GESTÄNGE	

* = Versione Testa Lunga - Long Combustion Head Version - Version Tête Longue - Langer Brennkopf Ausführung



RIELLO S.p.A.
Via degli Alpini 1
I - 37045 Legnago (VR)
Tel.: +39.0442.630111 Fax: +39.0442.630375
[http:// www.rielloburners.com](http://www.rielloburners.com)