

- GB** **Forced draught gas burners**
- E** **Quemadores de gas de aire soplado**
- P** **Queimadores a gás com ar insuflado**

Two-stage progressive operation
Funcionamiento a dos llamas progresivas
Funcionamento a duas chamas progressivas

CE

UK
CA

EAC

CODE - CÓDIGO	MODEL - MODELO	TYPE - TIPO
3789310	RS 64 MZ	885 T
3789311	RS 64 MZ	885 T

Declaration of Conformity A.R. 8/1/2004 & 17/7/2009 – Belgium

Manufacturer: RIELLO S.p.A.
37045 Legnago (VR) Italy
Tel. ++39.0442630111
www.riello.com

Distributed by: RIELLO NV
VAN MARCKE HQ
LAR Blok Z 5,
B-8511 Kortrijk (Aalbeke) BE
Tel. +32 56 23 7511
e-mail: riello@vanmarcke.be
URL. www.vanmarcke.com

It is hereby certified that the apparatuses specified below conform with the model of the type described in the CE conformity declaration and they are produced and placed in circulation in conformity with the provisions defined in L.D. dated January 8, 2004 and July 17, 2009.

Type of product: Forced draught gas burner
Model: RS 64 MZ
Regulation applied: EN 267 and A.R. dated January 8, 2004 - July 17, 2009
Control body: TÜV Industrie Service GmbH
TÜV SÜD Gruppe
Ridlerstrasse, 65
80339 München DEUTSCHLAND

Measured value: CO max: 1 mg/kWh
NOx max: 96,153 mg/kWh

Manufacturer's Declaration

RIELLO S.p.A. declares that the following products comply with the NOx emission limits specified by German standard "1. BImSchV release 26.01.2010".

Product	Type	Model	Power
Forced draught gas burner	885T	RS 64 MZ	150 - 850 kW

Legnago, 03.05.2021

Research & Development Director
RIELLO S.p.A. - Burner Department

Mr. F. Maltempì



- ▶ The burner **has EC marking** and conforms to the basic requisites of the following Directives:
 - EC Reg. N.: **0085BR0558** in accordance with 2016/426/EU (Gas Appliances Regulation);
 - Electromagnetic Compatibility Directive 2014/30/UE;
 - Low voltage directive 2014/35/UE;
 - Machine Directive 2006/42/EC;
- ▶ The burner meets protection level of IP 40 as EN 60529.

IDENTIFICATION

The Identification Plate on the product gives the serial number, model and main technical and performance data. If the Identification Plate is tampered with, removed or missing, the product cannot be clearly identified, thus making any installation or maintenance work potentially dangerous.

GENERAL WARNINGS

The dimension of the boiler's combustion chamber must respond to specific values, in order to guarantee a combustion with the lowest polluting emissions rate.

You are therefore advised to consult the Technical Assistance Department before choosing this type of burner for the combination with a boiler.

Qualified personnel are those with the professional and technical requirements indicated by Law no. 46 dated 5 March 1990. The commercial organisation has a widespread network of agencies and technical offices whose personnel participates periodically in instructional and refresher courses at the company training centre.

This burner must only be used for the application it was designed for.

The manufacturer cannot accept responsibility for any damage to persons, animals or property due to errors in installation or in the burner adjustment, or due to improper or unreasonable use or non-observance of the technical instructions enclosed with the burner, or due to the intervention of unqualified personnel.

USER INFORMATION


If faults arise in ignition or operations, the burner performs a "safety stop", which is signalled by the red burner lock out LED. To rearm start-up conditions, press the release button. When the burner starts up again, the red LED goes out.

This operation can be repeated for a maximum of 3 times. If the "safety stop" recurs, then the Technical Assistance Centre must be contacted.

BASIC SAFETY RULES

- ▶ Children or inexpert persons must not use the appliance.
- ▶ Under no circumstances must the intake grids, dissipation grids and ventilation vents in the installation room be covered up with cloths, paper or any other material.
- ▶ Unauthorised persons must not attempt to repair the appliance
- ▶ It is dangerous to pull or twist the electric leads.
- ▶ Cleaning operations must not be performed if the appliance is not disconnected from the main power supply.
- ▶ Do not clean the burner or its parts with inflammable substances (e.g. petrol, alcohol, etc.).
The cover must be cleaned with soapy water.
- ▶ Do not place anything on the burner.
- ▶ Do not leave containers and inflammable products in the installation room.

The following symbols are used in this manual:

 **ATTENTION** = for actions requiring special care and adequate preparation.

 **FORBIDDEN** = for actions **THAT MUST NOT** be performed.

TECHNICAL DATA	page 2
Electrical data	2
Burner description	3
Packaging - Weight	3
Max. dimensions	3
Standard equipment	3
Firing rate	4
Test boiler	4
Commercial boilers	4
Gas pressure	5
INSTALLATION	5
Boiler plate	6
Blast tube length	6
Securing the burner to the boiler	6
Combustion head setting	7
Gas line	8
Adjustments prior to ignition	9
Servomotor	9
Burner starting	9
Burner firing	9
Burner calibration:	10
1 - Firing output	10
2 - 2nd stage output	10
3 - 1st stage output	11
4 - Intermediate outputs	11
5 - Air pressure switch	12
6 - Minimum gas pressure switch	12
Flame present check	12
Burner operation	13
Final checks	14
Maintenance	14
Safety test - with gas ball valve closed	15
Safety components	15
Burner start-up cycle diagnostics	17
Resetting the control box and using diagnostics	17
Fault - Probable cause - Suggested remedy	18
Normal operation / flame detection time	19
Accessories	19
Appendix	20
Switchboard layout	21

N.B.

Figures mentioned in the text are identified as follows:

1)(A) = part 1 of figure A, same page as text;

1)(A)p.8 = part 1 of figure A, page number 8.

TECHNICAL DATA
GB

MODEL		RS 64 MZ	
TYPE		885 T	
OUTPUT ⁽¹⁾	MAX.	kW	400 - 850
		Mcal/h	345 - 730
	MIN.	kW	150
		Mcal/h	130
FUEL		GAS NATURAL: G20 - G21 - G22 - G23 - G25	
		G20	G25
- Net calorific value		kWh/Sm ³	9.45
		Mcal/Sm ³	8.2
- Absolute density		kg/Sm ³	0.71
- Max. delivery		Sm ³ /h	90
- Pressure at max. delivery ⁽²⁾		mbar	10.7
OPERATION		<ul style="list-style-type: none"> • On-Off (1 stop min each 24 hours). • Two-stage (high and low flame) and single-stage (all - nothing) 	
STANDARD APPLICATIONS		Boilers: water, steam, diathermic oil	
AMBIENT TEMPERATURE		°C	0 - 40
COMBUSTION AIR TEMPERATURE		°C max	60
NOISE LEVELS ⁽³⁾	Sound pressure		76
	Sound power	dBA	87

(1) Reference conditions: Ambient temperature 20°C - Gas temperature 15°C - Barometric pressure 1013 mbar - Altitude 0 m s.l.m.

(2) Pressure at test point 7(A)p.3, with zero pressure in the combustion chamber, an maximum burner output.

(2) Sound pressure measured in manufacturer's combustion laboratory, with burner operating on test boiler and at maximum rated output.

The sound power is measured with the "Free Field" method, as per EN 15036, and according to an "Accuracy: Category 3" measuring accuracy, as set out in EN ISO 3746.

ELECTRICAL DATA

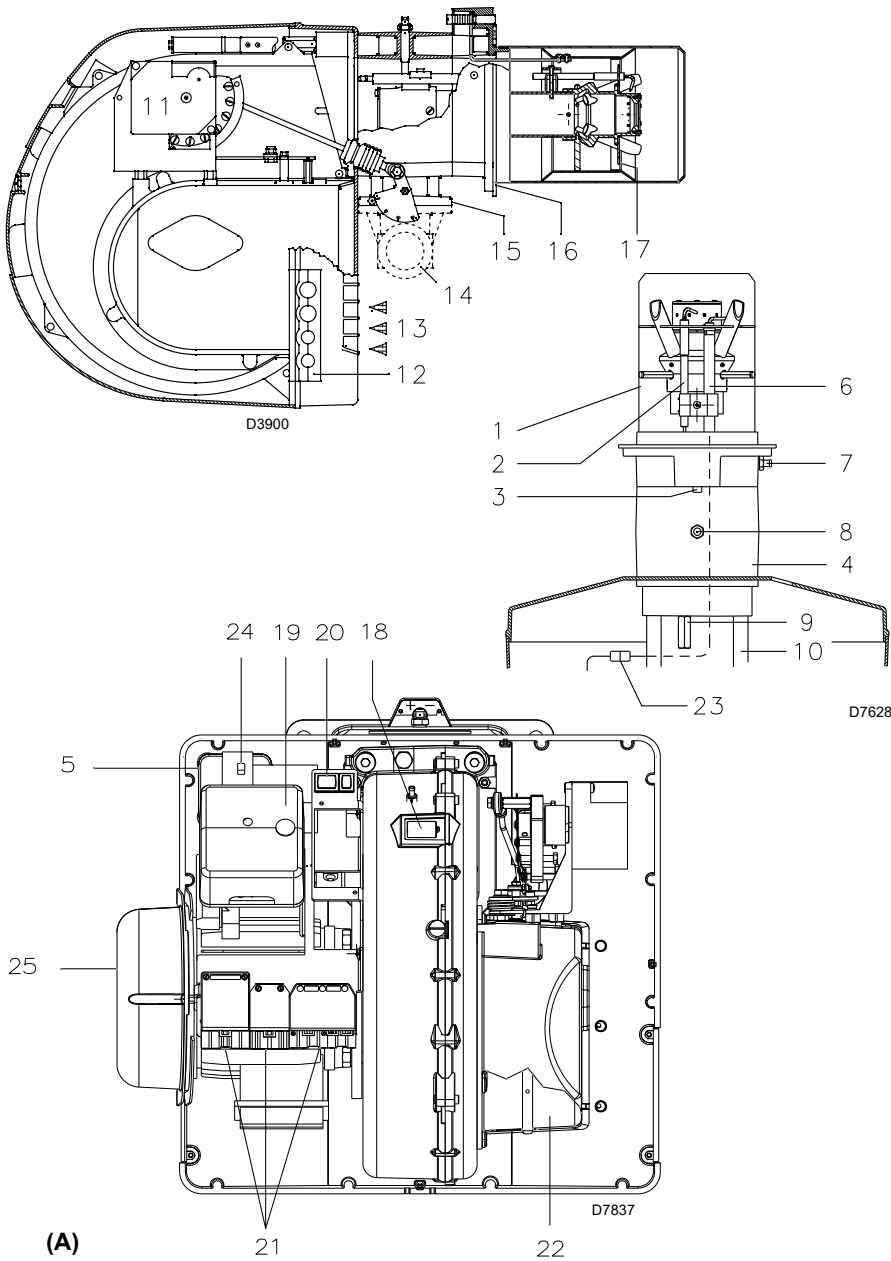
MODEL		RS 64 MZ	
ELECTRICAL SUPPLY	V Hz	230 - 400 with neutral ~ +/-10% 50 - three-phase	
ELECTRIC MOTOR IE3	rpm	2880	
	W	1100	
	V	220-240 / 380-415	
	A	4,3 - 2,5	
IGNITION TRANSFORMER	V1 - V2	230 V - 1x15 kV	
	I1 - I2	1 A - 25 mA	
ELECTRICAL POWER CONSUMPTION	W max	1500	
ELECTRICAL PROTECTION		IP 40	

VARIANTS

Blast tube length mm	250 - 385
----------------------	-----------

GAS CATEGORY

COUNTRY	CATEGORY
IT - AT - GR - DK - FI - SE	I ₂ H3B / P
ES - GB - IE - PT	I ₂ H3P
NL	I ₂ E - I ₂ (43,46 ÷ 45,3 MJ/m ³ (0°C))
FR	I ₂ E _r 3P
DE	I ₂ ELL3B / P
BE	I ₂ E(R)B, I ₃ P
LU - PL	I ₂ E 3B/P



DESCRIPTION (A)

- 1 Combustion head
- 2 Ignition electrode
- 3 Screw for combustion head adjustment
- 4 Sleeve
- 5 Minimum air pressure switch (differential operating type)
- 6 Flame sensor probe
- 7 Air pressure test point
- 8 Gas pressure test point and head fixing screw
- 9 Screw securing fan to sleeve
- 10 Slide bars for opening the burner and inspecting the combustion head
- 11 Servomotor controlling the gas butterfly valve and air gate valve (by means of a variable profile cam mechanism).
When the burner is stopped the air gate valve will be completely closed to reduce to a minimum heat loss due to the flue draught: the latter tends to draw air from the fan suction inlet.
- 12 Plate with 4 hole knock-outs for electrical cable routing
- 13 Air inlet to fan
- 14 Gas input pipework
- 15 Gas butterfly valve
- 16 Boiler mounting flange
- 17 Flame stability disk
- 18 Flame inspection window
- 19 Control box with lock-out pilot light and lock-out reset button
- 20 Power switch for different operations: automatic - manual - off
Button for: power increase - power reduction.
- 21 Plugs for electrical connections
- 22 Air gate valve
- 23 Plug-socket on ionisation probe cable
- 24 Motor contact maker and thermal cutout with reset button
- 25 Engine protection

Two types of burner failure may occur:

- **CONTROL BOX LOCK-OUT:**
if the control box 19)(A) pushbutton lights up, it indicates that the burner is in lock-out. To reset, press the pushbutton.
- **MOTOR LOCKOUT:**
three-phase electrical supply; to unblock, press the thermal cutout switch 24)(A).

PACKAGING - WEIGHT (B) - Approximate measurements

- The burners are shipped in cardboard boxes with the maximum dimensions shown in table (B).
- The weight of the burner complete with packaging is indicated in table (B).

MAX. DIMENSIONS (C) - Approximate measurements

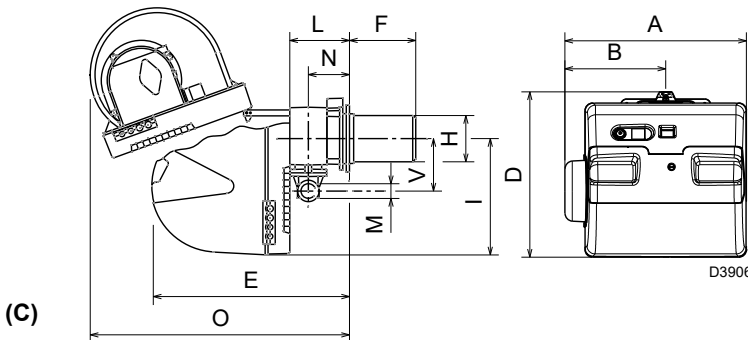
The maximum dimensions of the burner are given in (C).
Note that if you need to examine the combustion head, the burner must be pulled backward on the slide bars and turned upward.
The maximum dimension of the burner, without the cover, when open is give by measurement H.

STANDARD EQUIPMENT

- 1 - Gas train flange
- 1 - Flange gasket
- 4 - Flange fixing screws M 10 x 35
- 1 - Thermal insulation screen
- 4 - Screws to secure the burner flange to the boiler: M 12 x 35
- 5 - Fairleads for electrical connections
- 1 - Engine protection (with fixing screws)
- 1 - Plugs unit
- 1 - Instruction booklet
- 1 - Spare parts list

mm	A	B	C	kg
RS 64 MZ	1200	520	580	42

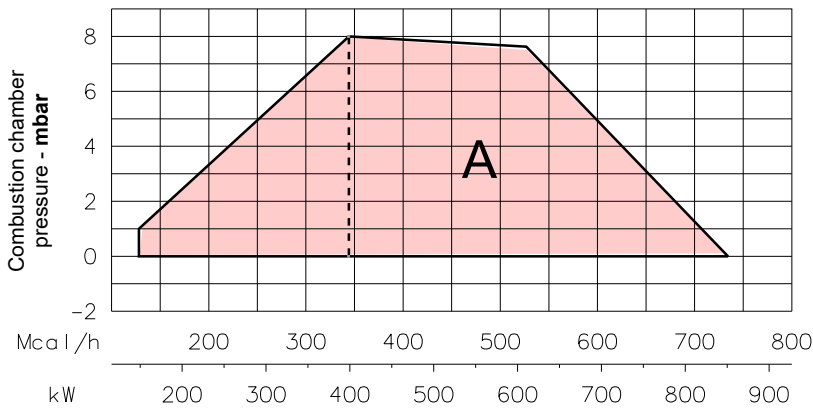
(B)



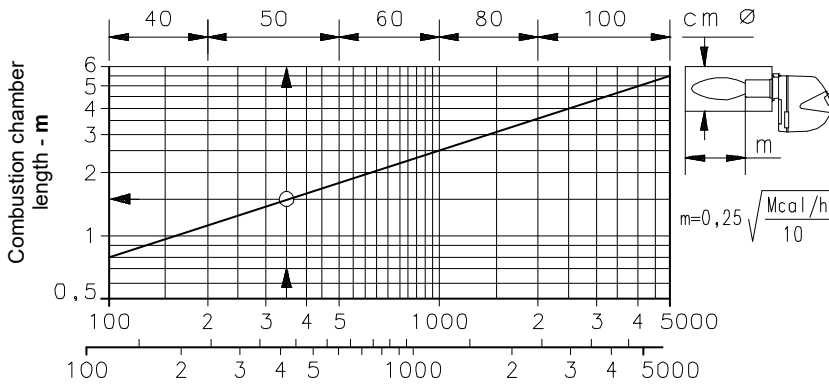
(C)

mm	A	B	D	E	F (1)	H	I	L	O	N	V	M
RS 64 MZ	533	300	490	640	250 - 385	179	352	222	870	134	221	2"

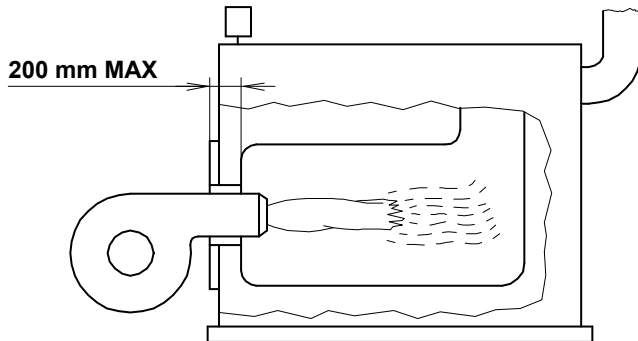
(1) Blast tube: short-long



(A) D3903



(B) D497



(C) D1079

FIRING RATE (A)

During operation, burner output varies between:

- a **MAXIMUM OUTPUT**, selected within area A,
- and a **MINIMUM OUTPUT**, which must not be lower than the minimum limit in the diagram.



Important

the FIRING RATE area values have been obtained considering a surrounding temperature of 20 °C, and an atmospheric pressure of 1013 mbar (approx. 0 m above sea level) and with the combustion head adjusted as shown on page 7.

TEST BOILER (B)

The firing rates were set in relation to special test boilers, according to EN 676 regulations.

Figure (B) indicates the diameter and length of the test combustion chamber.

Example

Output 350 Mcal/h:
diameter = 50 cm, length = 1.5 m.

COMMERCIAL BOILERS (C)

The burner/boiler combination does not pose any problems if the boiler is CE approved and its combustion chamber dimensions are similar to those indicated in diagram (B).

If the burner must be combined with a commercial boiler that has not been CE approved and/or its combustion chamber dimensions are clearly smaller than those indicated in diagram (B), consult the manufacturer.

In addition, for inversion boilers you are advised to check the length of the combustion head, as indicated by the boiler manufacturer.

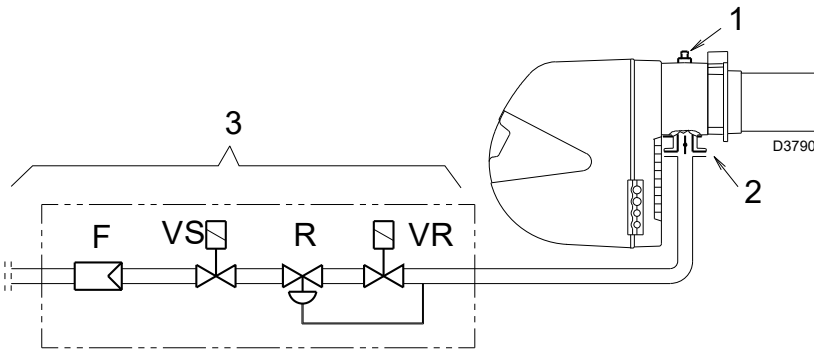
The maximum thickness of the boiler's front door must not exceed 200 mm (see fig. C).

RS 64 MZ

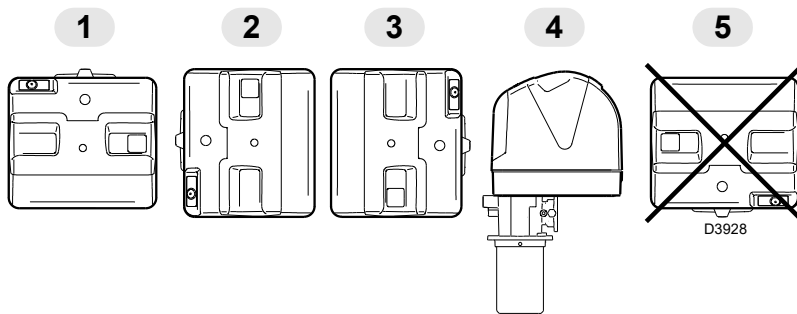
Δp (mbar)

kW	1	2	3			
			3970144 3970197	3970180 3970198	3970181 3970182	3970221 3970225
400	2.0	0.3	14.1	7.4	5.2	3.8
450	2.8	0.4	17.0	8.8	6.1	4.0
475	3.3	0.5	18.4	9.4	6.6	4.1
500	3.7	0.5	19.9	10.1	7.0	4.2
550	4.5	0.6	23.2	11.6	8.2	4.4
600	5.4	0.7	26.7	13.2	9.5	4.6
625	5.8	0.8	28.5	13.9	10.1	4.7
650	6.3	0.9	30.3	14.7	10.8	4.9
700	7.4	1.0	34.0	16.4	12.1	5.1
750	8.5	1.2	37.7	18.0	13.4	5.4
800	9.6	1.3	41.5	19.9	14.8	5.8
850	10.7	1.5	45.3	21.8	16.3	6.2

(A)



(B)



(C)

GAS PRESSURE

The adjacent tables show minimum pressure losses along the gas supply line depending on the maximum burner output operation.

Column 1

Pressure loss at combustion head.

Gas pressure measured at test point 1)(B), with combustion chamber at 0 mbar.

Column 2

Pressure loss at gas butterfly valve 2)(B) with maximum opening: 90°.

Column 3

Pressure loss of gas train 3)(B) includes: adjustment valve VR, safety valve VS (both fully open), pressure governor R, filter F.

The values shown in the various tables refer to: natural gas G 20 PCI 9.45 kWh/Sm³ (8.2 Mcal/Sm³)

With:

natural gas G 25 PCI 8.13 kWh/Sm³ (7.0 Mcal/Sm³)

multiply tabulated values:

- column 1 - 2: by 1.5

- column 3: by 1.35

Calculate the approximate maximum output of the burner thus:

- subtract the combustion chamber pressure from the gas pressure measured at test point 1)(B).

- Find the nearest pressure value to your result in column 1 of the table for the burner.

- Read off the corresponding output on the left.

Example:

- Maximum output operation
 - Natural gas G 20 PCI 9.45 kWh/Sm³
 - Gas pressure at test point 1)(B) = 6.7 mbar
 - Pressure in combustion chamber = 3 mbar
- 6.7 - 3 = 3.7 mbar

A maximum output of 500 kW shown in Table RS 64 MZ corresponds to 5 mbar pressure, column 1.

This value serves as a rough guide, the effective delivery must be measured at the gas meter.

To calculate the required gas pressure at test point 1)(B), set the maximum output required from the burner operation:

- find the nearest output value in the table for the burner in question.

- Read off the pressure at test point 1)(B) on the right in column 1.

- Add this value to the estimated pressure in the combustion chamber.

Example:

- Required burner maximum output operation: 500 kW
 - Natural gas G 20 PCI 9.45 kWh/Sm³
 - Gas pressure at burner output of 500 kW, taken from table RS 64 MZ, column 1 = 3.7 mbar
 - Pressure in combustion chamber = 3 mbar
- 3.7 + 3 = 6.7 mbar

pressure required at test point 1)(B).



Data of head thermal power and gas pressure refer to operation with gas butterfly valve fully open (90°).

INSTALLATION

THE BURNER MUST BE INSTALLED IN CONFORMITY WITH LEGISLATION AND LOCAL STANDARDS.

WORKING POSITION (C)

The burner is designed to work only in the positions 1, 2, 3 and 4.

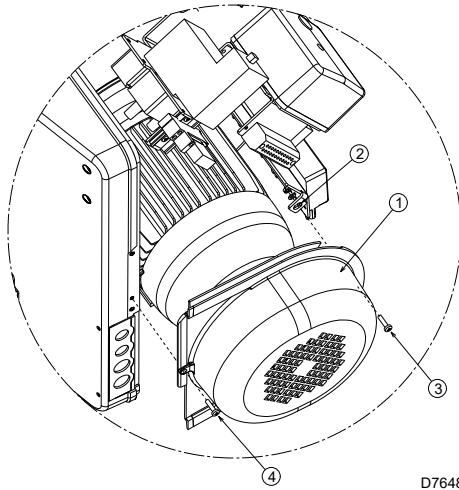
Installation 1 is preferable, as it is the only one that allows the maintenance operations as described in this manual. Installations 2, 3 and 4 allow the working, but make the operations of maintenance and checking of the combustion head more difficult page 14.

Any other position could compromise the correct working of the appliance.

Installation 5 is forbidden, for safety reasons.



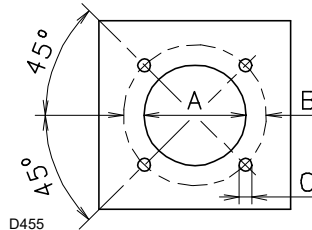
BEFORE ASSEMBLING THE CASING, IT IS NECESSARY TO FIX THE ENGINE PROTECTION SUPPLIED (1)(A) ONTO THE BRACKET (2)(A), USING THE APPROPRIATE SCREWS (3)(A) WITH A NUT AND A WASHER. FIX THE BRACKET TO THE FRONT SHIELD OF THE BURNER, USING THE SCREWS (4)(A).



(A)

D7648

mm	A	B	C
RS 64 MZ	185	275 - 325	M 12



(B)

D455

BOILER PLATE (B)

Drill the combustion chamber locking plate as shown in (B). The position of the threaded holes can be marked using the thermal screen supplied with the burner.

BLAST TUBE LENGTH (C)

The length of the blast tube must be greater than the thickness of the boiler door complete with its fettling. The lengths, L (mm), are:

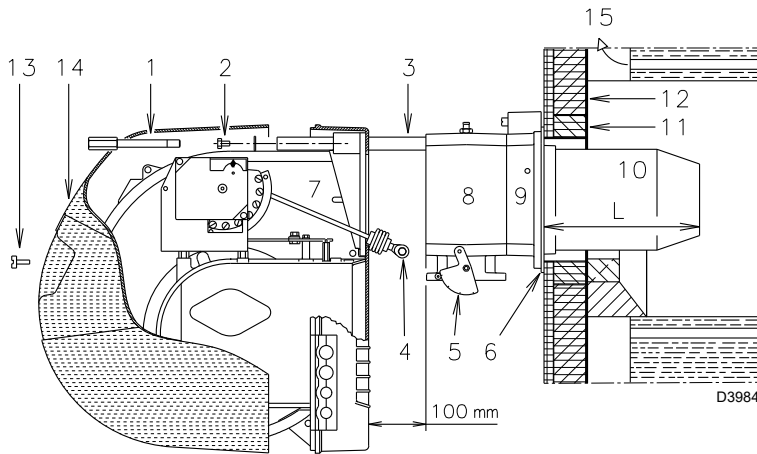
Blast tube 10):

- short 250
- long 385

For boilers with front flue passes (15) or flame inversion chambers, protective fettling in refractory material (11), must be inserted between the boiler fettling (12) and the blast tube (10).

This protective fettling must not compromise the extraction of the blast tube.

For boilers having a water-cooled front the refractory fettling (11)-(12) is not required unless it is expressly requested by the boiler manufacturer.



(C)

D3984

SECURING THE BURNER TO THE BOILER (D)

Before securing the burner to the boiler, check through the blast tube opening to make sure that the flame sensor probe and the ignition electrode are correctly set in position, as shown in (D).

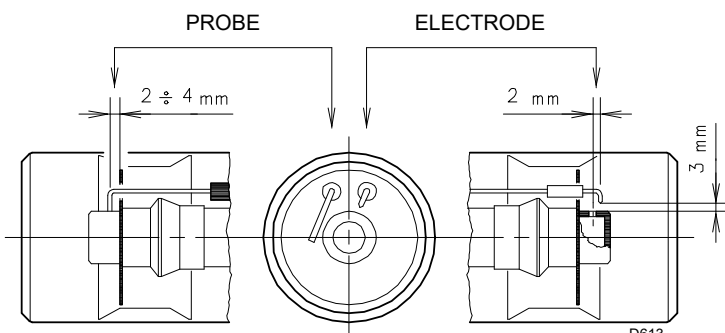
Now detach the combustion head from the burner, fig. (C):

- Remove screw (13) and withdraw the cover (14).
- Disengage the articulated coupling (4) from the graduated sector (5).
- Remove the screws (2) from the slide bars (3).
- Remove screw (1) and pull the burner back on slide bars (3) by about 100 mm.
- Disconnect the wires from the probe and the electrode and then pull the burner completely off the slide bars, after removing the split pin from the slide bar (3).

Secure the flange (9)(C) to the boiler plate, interposing the thermal insulating screen (6)(C) supplied with the burner. Use the 4 screws, also supplied with the unit, after first protecting the thread with an anti-locking product.

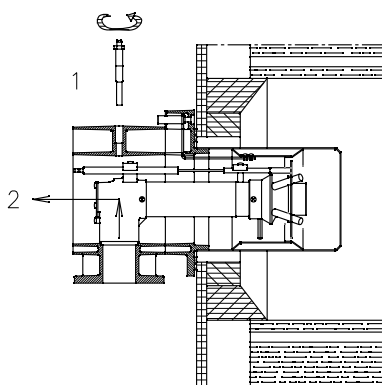
The seal between burner and boiler must be airtight.

If you noticed any irregularities in the positions of the probe or ignition electrode during the check mentioned above, remove screw (1)(E), extract the internal part (2)(E) of the head and proceed to set up the two components correctly. Do not attempt to turn the probe. Leave it in the position shown in (D) since if it is located too close to the ignition electrode the control box amplifier may be damaged.



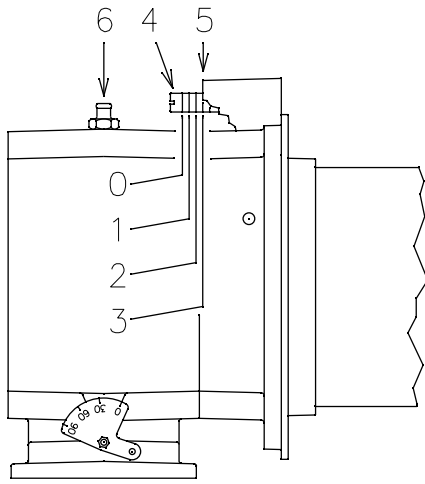
(D)

D613



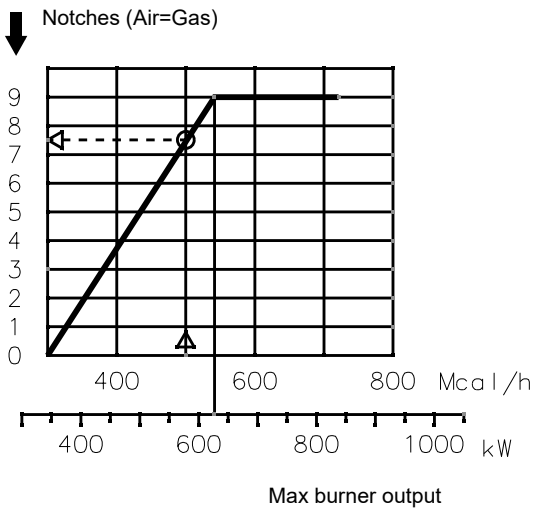
(E)

D3904



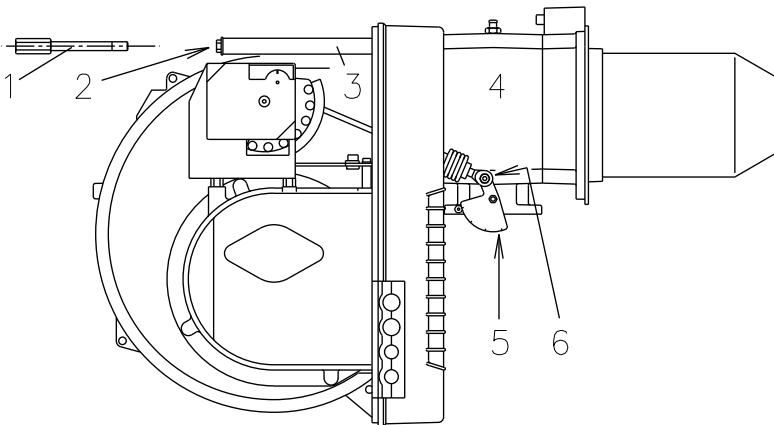
(A)

D3905



(B)

D3909



(C)

D3985

COMBUSTION HEAD SETTING

Installation operations are now at the stage where the blast tube and sleeve are secured to the boiler as shown in fig. (A). It is now a very simple matter to set up the combustion head, as this depends solely on the MAX output developed by the burner.

It is therefore essential to establish this value before proceeding to set up the combustion head.

Adjustment of the head on the air side is required.

In diagram (B) find the notch to use for adjusting the air and the gas, and then proceed as follows:

Air adjustment (A)

Turn screw 4)(A) until the notch identified is aligned with the front surface 5)(A) of the flange.

Example

MAX output = 500 Mcal/h.

If we consult diagram (B) we find that for this output, air must be adjusted using notch 7.5, as shown in fig. (A).

Once you have finished setting up the head, refit the burner to the slide bars 3)(C) at approximately 100 mm from the sleeve 4)(C) - burner positioned as shown in fig. (C)p.6 - insert the flame detection probe cable and the ignition electrode cable and then slide the burner up to the sleeve so that it is positioned as shown in fig. (C).

Refit screws 2) on slide bars 3).

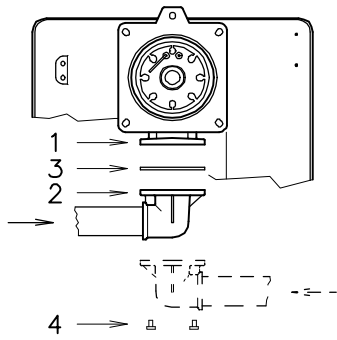
Secure the burner to the sleeve by tightening screw 1).

Reconnect the articulation 6) to the graduated sector 5).



Important

When fitting the burner on the two slide bars, it is advisable to gently draw out the high tension cable and flame detection probe cable until they are slightly stretched.



(A)

D505

GAS LINE

- The gas train must be connected to the gas attachment 1)(A), using flange 2), gasket 3) and screws 4) supplied with the burner.
- The gas train can enter the burner from the right or left side, depending on which is the most convenient, see fig. (A).
- Gas solenoids must be as close as possible to the burner to ensure gas reaches the combustion head within the safety time range of 3s.
- Make sure that the pressure governor calibration range (colour of the spring) comprises the pressure required by the burner.

GAS TRAIN (B)

It is type-approved according to EN 676 Standards and is supplied separately from the burner with the code indicated in table (C).

KEY (B)

- 1 - Gas input pipe
- 2 - Manual valve
- 3 - Vibration damping joint
- 4 - Pressure gauge with pushbutton cock
- 5 - Multibloc, including:
 - filter (replaceable)
 - working valve
 - pressure adjuster
- 6 - Minimum gas pressure switch
- 7 - Valve seal checking device.

In accordance with the standard EN 676, gas valve leak detection control devices are compulsory for burners with maximum outputs of more than 1200 kW.
- 8 - Gasket
- 9 - Gas adjustment butterfly valve
- 10 - Max gas pressure switch (accessory)
- 11 - Gas train/burner adaptor

P1 - Pressure at combustion head
P2 - Up-line pressure of valves/adjuster

L - Gas train supplied separately with the code indicated in table (C)

L1 - The responsibility of the installer

KEY TO TABLE (C)

C.T.= Gas valves leak detection control devices:

- = Gas train without gas valve leak detection control device; device that can be ordered separately and assembled subsequently (see Column 7).

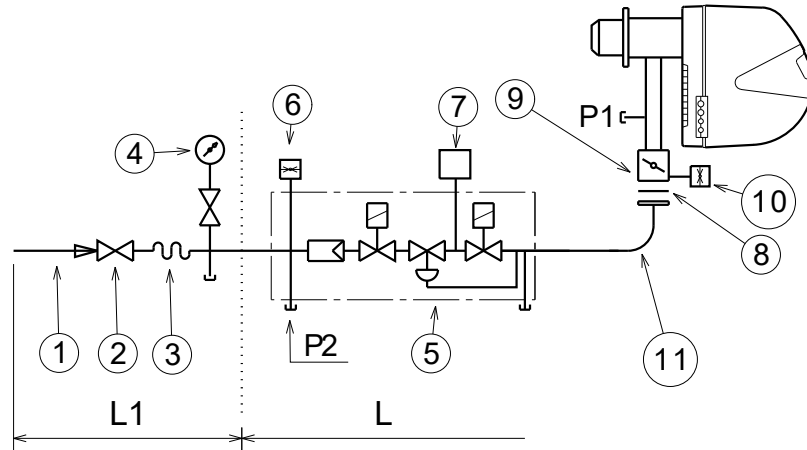
◆ = Gas train with assembled VPS valve leak detection control device.

7 = VPS valve leak detection control device. Supplied separately from gas train on request.

11 = Gas train/burner adaptor. Supplied separately from gas train on request.

Note

See the accompanying instructions for the adjustment of the gas train.



(B)

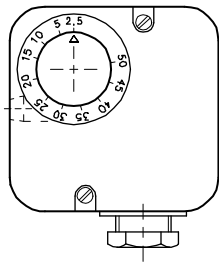
D3791

BURNERS AND RELEVANT GAS TRAINS APPROVED ACCORDING TO EN 676

GAS TRAINS L				7	11
Code	Model	Ø	C.T.	Code	Code
3970144	MB-DLE 412	1"1/4"	-	3010123	3000843
3970197	MB-DLE 412 CT	1"1/4"	◆	3010123	3000843
3970180	MB-DLE 415	1"1/2"	-	3010123	3000843
3970198	MB-DLE 415 CT	1"1/2"	◆	3010123	3000843
3970181	MB-DLE 420	2"	-	3010123	-
3970182	MB-DLE 420 CT	2"	◆	-	-
3970221	MBC-1200-SE-50	2"	-	3010123	-
3970225	MBC-1200-SE-50 CT	2"	◆	-	-

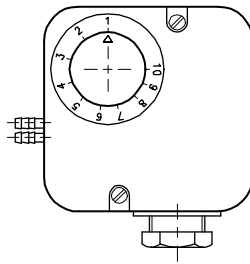
(C)

MIN GAS PRESSURE SWITCH



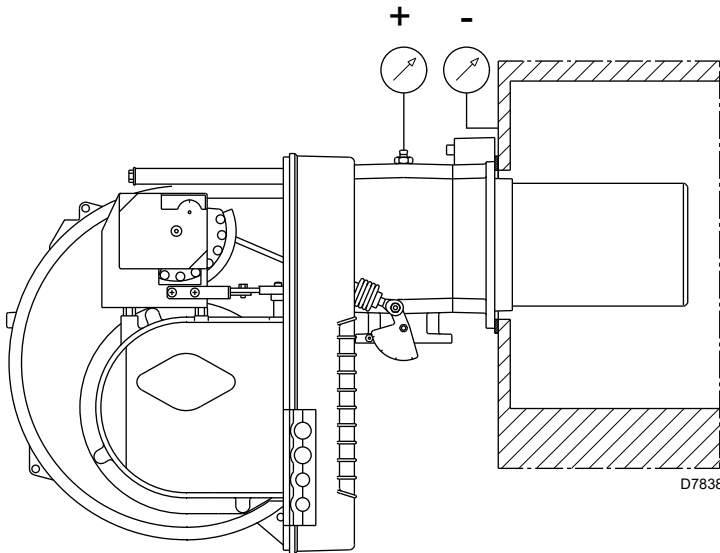
(A)

AIR PRESSURE SWITCH



(B)

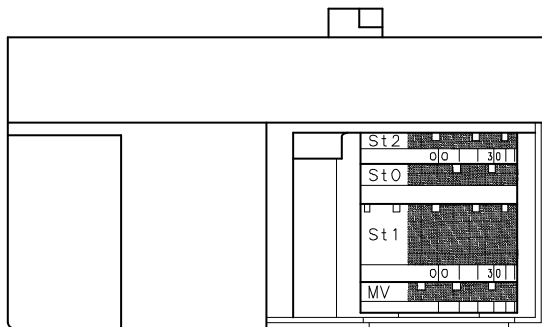
D897



D7838

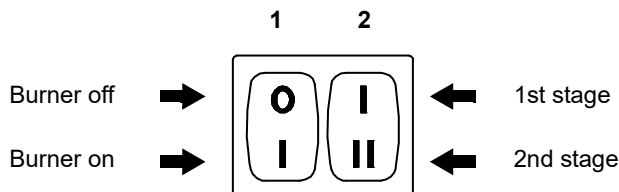
(C)

SERVOMOTOR



(D)

D517



(E)

D469

ADJUSTMENTS PRIOR TO IGNITION

WARNING

THE FIRST IGNITION MUST BE CARRIED OUT BY QUALIFIED PERSONNEL WITH THE RIGHT INSTRUMENTS.

Adjustment of the combustion head, and air and gas deliveries has been illustrated on page 7. In addition, the following adjustments must also be made:

- open manual valves up-line from the gas train.
- Adjust the minimum gas pressure switch to the start of the scale (A).
- Adjust the air pressure switch to the zero position of the scale (B).
- Purge the air from the gas line. Continue to purge the air (we recommend using a plastic tube routed outside the building) until gas is smelt.
- Fit a manometer (C) to the gas pressure test point on the sleeve. The manometer readings are used to calculate the 2nd stage operation burner power using the tables on page 5.
- Connect two lamps or testers to the two gas line solenoid valves VR and VS to check the exact moment at which voltage is supplied. This operation is unnecessary if each of the two solenoid valves is equipped with a pilot light that signals voltage passing through.

Before starting up the burner it is good practice to adjust the gas train so that ignition takes place in conditions of maximum safety, i.e. with gas delivery at the minimum.

SERVOMOTOR (D)

The servomotor provides simultaneous adjustment of the air gate valve, by means of the variable profile cam, and the gas butterfly valve. The angle of rotation of the servomotor is equal to the angle on the graduated sector controlling the gas butterfly valve. The servomotor rotates through 90 degrees in 12 seconds.

Do not alter the factory setting for the 4 cams; simply check that they are set as indicated below:

- Cam St2 : 90°**
Limits rotation toward maximum position. When the burner is in 2nd stage operation the gas butterfly valve must be fully open: 90°.
- Cam St0 : 0°**
Limits rotation toward the minimum position. When the burner is shut down the air gate valve and the gas butterfly valve must be closed: 0°.
- Cam St1 : 15°**
Adjusts the ignition position and the output in 1st stage operation.
- Cam MV : not used**

BURNER STARTING

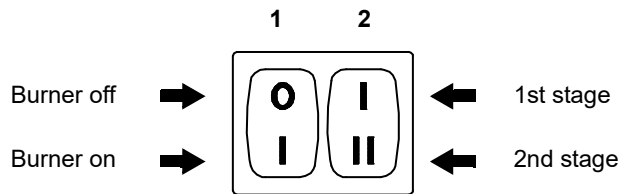
Close the control devices and set:

- switch 1)(E) to "Burner ON" position
- switch 2)(E) to "1st STAGE" position.

As soon as the burner starts check the direction of rotation of the fan blade, looking through the flame inspection window 18)(A)p.3. Make sure that the lamps or testers connected to the solenoids, or pilot lights on the solenoids themselves, indicate that no voltage is present. If voltage is present, then **immediately** stop the burner and check electrical connections.

BURNER FIRING

Having completed the checks indicated in the previous heading, the burner should fire. If the motor starts but the flame does not appear and the control box goes into lock-out, reset and wait for a new firing attempt. If firing is still not achieved, it may be that gas is not reaching the combustion head within the safety time period of 3 seconds. In this case increase gas firing delivery. The arrival of gas at the sleeve is indicated by the manometer (C). Once the burner has fired, now proceed with global calibration operations.



(A)

D469

BURNER CALIBRATION

The optimum calibration of the burner requires an analysis of the flue gases at the boiler outlet. Adjust successively:

- 1 - firing output
- 2 - 2nd stage burner output
- 3 - 1st stage burner output
- 4 - Intermediate outputs between 1st and 2nd stage
- 5 - Air pressure switch
- 6 - Minimum gas pressure switch



Refer to paragraph "Safety test - with gas ball valve closed" before the first start-up, page 15.

1 - FIRING OUTPUT

According to EN 676 Regulations:

Burners with max. output up to 120 kW

Firing can be performed at the maximum operation output level. Example:

- Max. operation output : 120 kW
- Max. firing output : 120 kW

Burners with max. output above 120 kW

Firing must be performed at a lower output than the max. operation output. If the firing output does not exceed 120 kW, no calculations are required. If firing output exceeds 120 kW, the regulations prescribe that the value be defined according to the control box safety time "ts":

- for "ts" = 2s, firing output must be equal to or lower than 1/2 of max. operation output.
- For "ts" = 3s, firing output must be equal to or lower than 1/3 of max. operation output.

Example

MAX operation output of 600 kW.

Firing output must be equal to or lower than:

- 300 kW with ts = 2s
- 200 kW with ts = 3s

In order to measure the firing output:

- disconnect the plug-socket 23)(A)p.3 on the ionization probe cable (the burner will fire and then go into lock-out after the safety time has elapsed).
- Perform 10 firings with consecutive lock-outs.
- On the meter read the quantity of gas burned. This quantity must be equal to or lower than the quantity given by the formula, for ts = 3s:

$$Vg = \frac{Qa \text{ (max. burner output)} \times n \times ts}{3600}$$

Vg: volume supplied upon ignitions carried out (Sm³)

Qa: ignition output (Sm³/h)

n: number of ignitions (10)

ts: safety time (sec)

Example: for gas G 20 (9.45 kWh/Sm³):
ignition output 400 kW

corresponding to 47.6 Sm³/h.

After 10 firings with lock-outs, the delivery read on the meter must be equal to or lower than::

$$Vg = \frac{47.6 \times 10 \times 3}{3600} = 0.397 \text{ Sm}^3$$

2 - 2ND STAGE OUTPUT

2nd stage output of the burner must be set within the firing rate range shown on page 4.

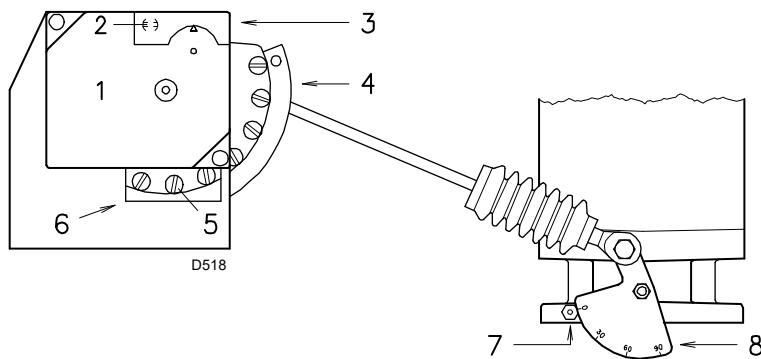
In the above instructions we left the burner running in 1st stage operation. Now set switch 2)(A) to the 2nd stage position: the servomotor will open, simultaneously, the air gate valve and the gas butterfly valve to 90°.

Gas calibration

Measure the gas delivery at the meter.

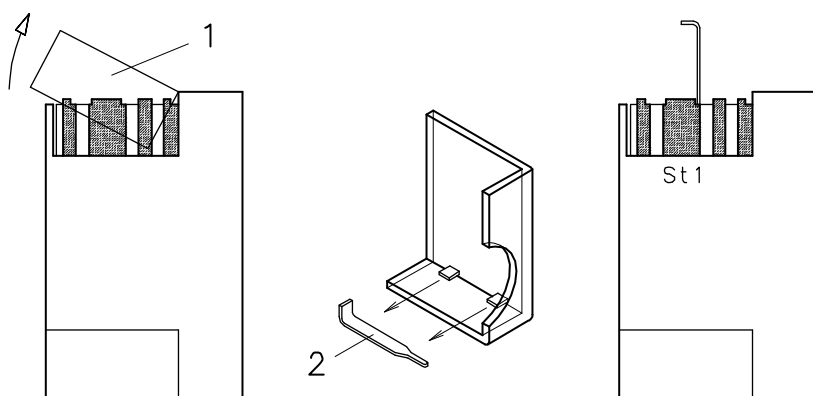
A guideline indication can be calculated from the tables on page 5, simply read off the gas pressure on manometer, see fig.(C) on page 9, and follow the instructions on page 5.

- If delivery needs to be reduced, diminish outlet gas pressure and, if it is already very low, slightly close adjustment valve VR.
- If delivery needs to be increased, increase outlet gas pressure.



- 1 Servomotor
- 2 Cam 4 engaged \ominus /disengages \oplus
- 3 Cam cover
- 4 Adjustable profile cam
- 5 Cam profile adjustment screws
- 6 Opening for access to screws 5
- 7 Index for graduated sector 8
- 8 Graduated sector for gas butterfly valve

(A)



(B)

Adjusting air delivery

Progressively adjust the end profile of cam 4)(A) by turning the cam adjustment screws as they appear through the access opening 6)(A).

- Turn the screws clockwise to increase air delivery.
- Turn the screws counter-clockwise to reduce air delivery.

3 - 1ST STAGE OUTPUT

Burner power in 1st stage operation must be selected within the firing rate range shown on page 4.

Set the switch 2)(A)p.10 to the 1st stage position: the servomotor 1)(A) will close the air gate valve and, at the same time, closes the gas butterfly valve down to 15°, i.e. down to the original factory setting.

Adjusting gas delivery

Measure the delivery of gas from the gas meter.

- If this value is to be reduced, decrease the angle of cam St1 (B) slightly by proceeding a little at a time until the angle is changed from 15° to 13° or 11°....
- If it is necessary to increase the mains pressure, move to 2nd stage operation by altering the setting of switch 2)(A)p.10 and increase the angle of cam St1, proceeding a little at a time until the angle is changed from 15° to 17° - 19°....

At this point return to 1st stage operation and measure gas delivery.

Note

The servomotor follows the adjustment of cam St1 only when the angle is reduced. If, however the angle must be increased, switch to 2nd stage operation, increase the angle and then return to 1st stage operation to check the effect of the adjustment.

If you increase the angle of St1 while the burner is operating in 1st stage, lock-out will result.

In order to adjust cam St1, remove press-fit cover 1), as shown in fig.(B), extract the relevant key 2) from inside, and fit it into the keyway in cam St1.

Adjustment of air delivery

Progressively adjust the starting profile of cam 4)(A) by turning the screws working through the access hole 6)(A). It is preferable not to turn the first screw since this is used to set the air gate valve to its fully-closed position.

4 - INTERMEDIATE OUTPUTS

Adjustment of gas delivery

No adjustment of gas delivery is required.

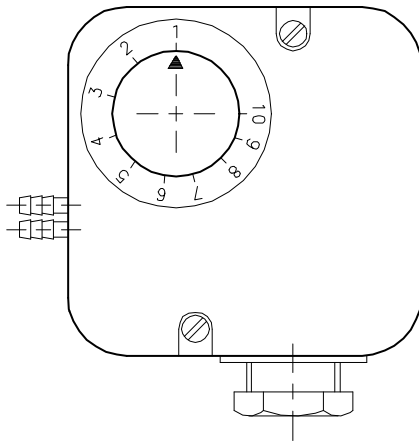
Adjustment of air delivery

Switch off the burner using switch 1)(A)p.10, disengage the variable profile cam, set the servomotor shaft slot 2)(A) to a vertical position and turn the central screws of the cam so that the cam offers a progressive gradient. Try turning the cam back and forth by hand a few times until the movement is completely smooth with no signs of sticking.

Do not alter the position of the screws at each end of the cam track, which have already been adjusted for 1st and 2nd stage air gate valve control.

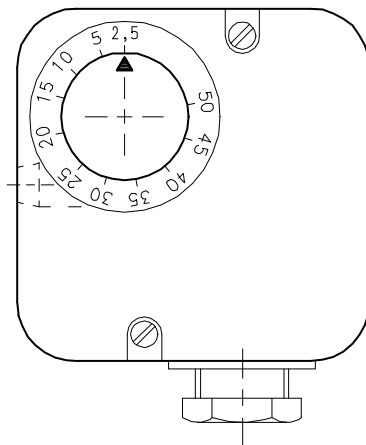
Note

Once you have finished adjusting 2nd stage - 1st stage - intermediate outputs, check ignition once again: noise emission at this stage must be identical to the following stage of operation. If you notice any sign of pulsations, reduce the ignition stage delivery.



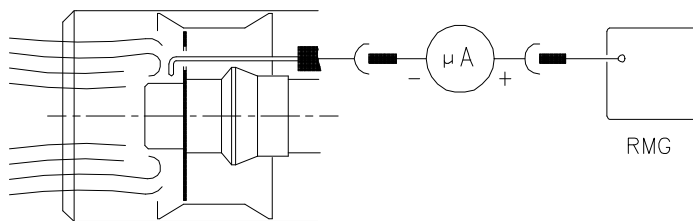
(A)

D521



(B)

D896



(C)

D3023

5 - AIR PRESSURE SWITCH (A)

Adjust the air pressure switch after having performed all other burner adjustments with the air pressure switch set to the start of the scale (A). With the burner operating in 1st stage, increase adjustment pressure by slowly turning the relative knob clockwise until the burner locks out. Then turn the knob anti-clockwise by about 20% of the set point and repeat burner starting to ensure it is correct. If the burner locks out again, turn the knob anti-clockwise a little bit more.

Attention

As a rule, the air pressure switch must limit the CO in the fumes to less than 1% (10,000 ppm). To check this, insert a combustion analyser into the chimney, slowly close the fan suction inlet (for example with cardboard) and check that the burner locks out, before the CO in the fumes exceeds 1%.

The air pressure switch may operate in "differential" operation in two pipe system. If a negative pressure in the combustion chamber during pre-purging prevents the air pressure switch from switching, switching may be obtained by fitting a second pipe between the air pressure switch and the suction inlet of the fan. In such a manner the air pressure switch operates as differential pressure switch.

Warning

The use of the air pressure switch with differential operation is allowed only in industrial applications and where rules enable the air pressure switch to control only fan operation without any reference to CO limit.

6 - MINIMUM GAS PRESSURE SWITCH (B)

Adjust the minimum gas pressure switch (B) after having adjusted the burner, the gas valves and the gas train stabiliser. With the burner operating at maximum output:

- install a pressure gauge downstream of the gas train stabiliser (for example at the gas pressure test point on the burner combustion head);
- choke slowly the manual gas cock until the pressure gauge detects a decrease in the pressure read of about 0.1 kPa (1 mbar). In this phase, verify the CO value which must always be less than 100 mg/kWh (93 ppm).
- Increase the adjustment of the gas pressure switch until it intervenes, causing the burner shutdown;
- remove the pressure gauge and close the cock of the gas pressure test point used for the measurement;
- open completely the manual gas cock.

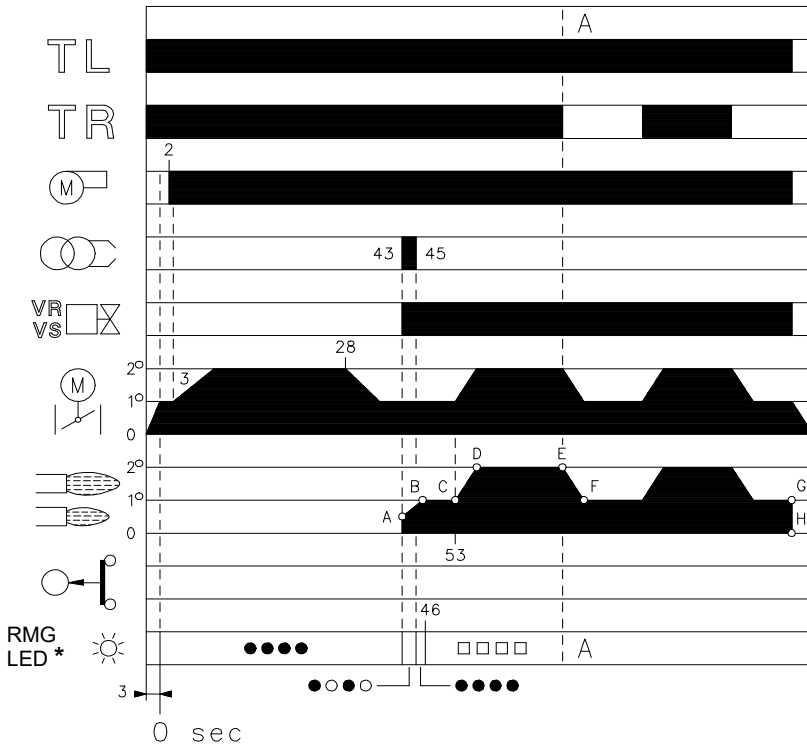


1 kPa = 10 mbar

FLAME PRESENT CHECK (C)

The burner is fitted with an ionisation system which ensures that a flame is present. The minimum current for plant operation is 5 μA. The burner provides a much higher current, so that controls are not normally required. However, if it is necessary to measure the ionisation current, disconnect the plug-socket 23)(A)p.3 on the ionisation probe cable and insert a direct current microammeter with a base scale of 100 μA. Carefully check polarities!

NORMAL FIRING
(n° = seconds from instant 0)

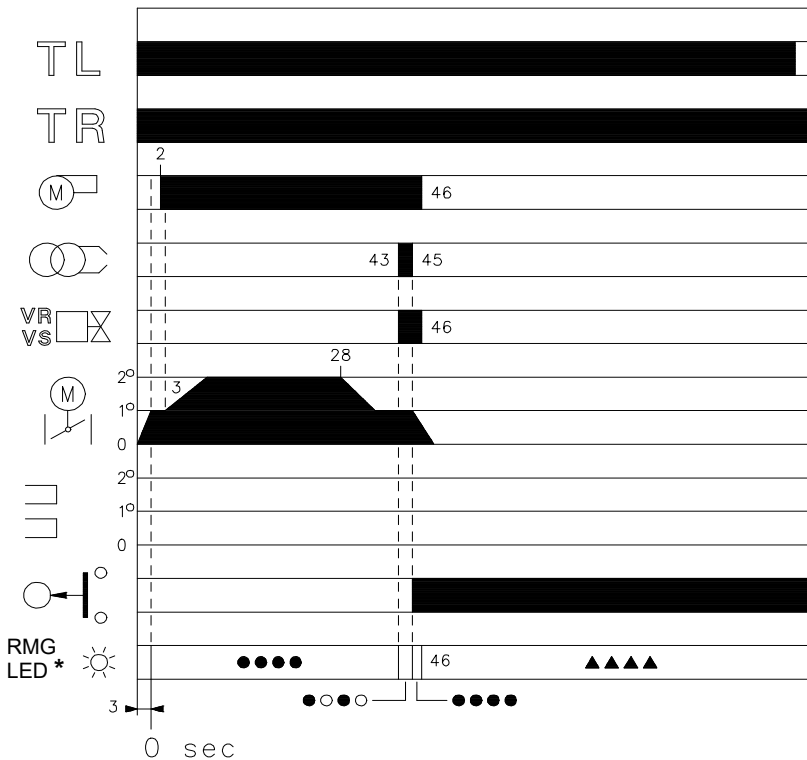


* ○ Off ● Yellow □ Green ▲ Red
For further details see page 16.

(A)

D3028

NO FIRING



* ○ Off ● Yellow ▲ Red
For further details see page 16.

(B)

D3029

BURNER OPERATION

BURNER STARTING (A)

- Control device TL closes. Servomotor starts: it rotates during opening up to the angle set on cam St1. After about 3s:
- 0 s : The control box starting cycle begins.
- 2 s : Fan motor starts.
- 3 s : Servomotor starts: it rotates during opening until contact on cam St2 is tripped. The air gate valve is positioned to 2nd stage output. Pre-purge stage with air delivery at 2nd stage output. Duration 25 seconds.
- 28 s : Servomotor starts: it rotates during closing up to the angle set on cam St1.
- 43 s : The air gate valve and the gas butterfly are positioned to 1st stage output. Ignition electrode strikes a spark. Safety valve VS and adjustment valve VR (rapid opening) open. The flame is ignited at a low output level, point A. Output is then progressively increased, with the valve opening slowly up to 1st stage output, point B.
- 45 s : The spark goes out.
- 53 s : If remote control device TR is closed or if it has been replaced by a jumper, the servomotor will continue to turn until the cam St2 come into operation, setting the air gate valve and the gas butterfly valve to the 2nd stage operation position, section C-D. The control box starting cycle ends.

STEADY STATE OPERATION (A)

System equipped with one control device TR.

Once the starting cycle has come to an end, control of the servomotor passes on to the control device TR that controls boiler temperature or pressure, point D.

(The control box will continue, however, to monitor flame presence and the correct position of the air pressure switch).

- When the temperature or the pressure increases until the control device TR opens, the servomotor closes the gas butterfly valve and the air gate valve and the burner passes from the 2nd to the 1st stage of operation, section E-F.
- When the temperature or pressure decreases until the control device TR closes, the servomotor opens the gas butterfly valve and the air gate valve and the burner passes from the 1st to the 2nd stage of operation, and so on.
- The burner stops when the demand for heat is less than the amount of heat delivered by the burner in the 1st stage, section G-H. Control device TL now opens, the servomotor returns toward the 0° position, limited in this movement by cam St0. The air gate valve closes completely to reduce heat losses to a minimum.

Systems not equipped with control device TR (jumper wire installed)

The burner is fired as described in the case above. If the temperature or pressure increase until control device TL opens, the burner shuts down (Section A-A in the diagram).

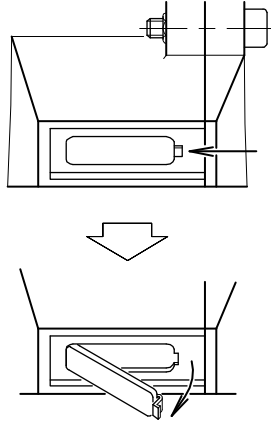
FIRING FAILURE (B)

If the burner does not fire, it goes into lock-out within 3s of the opening of the gas solenoid valve and 49s after the closing of control device TL. The control box red pilot light will light up.

BURNER FLAME GOES OUT DURING OPERATION

If the flame should accidentally go out during operation, the burner will lock out within 1s.

FLAME INSPECTION WINDOW



(A)

D484

FINAL CHECKS (with burner running)

- Disconnect one of the wires on the minimum gas pressure switch.
- Open remote control device TL.
- Open remote control device TS:
the burner must stop.
- Detach the air feed pipe to the pressure switch.
- Disconnect the ionisation probe lead:
the burner must lock out.
- Make sure that the mechanical locking systems on the various adjustment devices are fully tightened.

MAINTENANCE

The burner requires periodic maintenance carried out by a qualified and authorised technician **in conformity with legislation and local standards.**

Periodic maintenance is essential for the reliability of the burner, avoiding the excessive consumption of fuel and consequent pollution.

Before carrying out any cleaning or control, always switch off the electrical supply to the burner, using the main switch of the system.

Combustion

The optimum calibration of the burner requires an analysis of the flue gases. Significant differences with respect to the previous measurements indicate the points where more care should be exercised during maintenance.

Gas leaks

Make sure that there are no gas leaks on the pipework between the gas meter and the burner.

Gas filter

Change the gas filter when it is dirty.

Flame inspection window

Clean the flame inspection window (A).

Combustion head

Open the burner and make sure that all components of the combustion head are in good condition, not deformed by the high temperatures, free of impurities from the surroundings and correctly positioned. If in doubt, disassemble the elbow fitting.

Servomotor

Disengage the cam 4)(A)p.11 from servomotor, by turning slot 2)(A)p.11 through 90° and turn it backward and forward by hand to make sure it is free moving. Now engage cam 4)(A)p.11 again.

Burner

Check for excess wear or loose screws in the mechanisms controlling the air gate valve and the gas butterfly valve. Also make sure that the screws securing the electrical leads in the burner terminal strip are fully tightened.

Clean the outside of the burner, taking special care with the transmission joints and cam 4)(A)p.11.

Combustion

Adjust the burner if the combustion values found at the beginning of the operation do not comply with the regulations in force, or at any rate, do not correspond to good combustion. Use the appropriate card to record the new combustion values; they will be useful for subsequent controls.

SAFETY COMPONENT	LIFE CYCLE
Flame control	10 years or 250,000 operation cycles
Flame sensor	10 years or 250,000 operation cycles
Gas valves (solenoid)	10 years or 250,000 operation cycles
Pressure switches	10 years or 250,000 operation cycles
Pressure adjuster	15 years
Servomotor (electronic cam) (if present)	10 years or 250,000 operation cycles
Oil valve (solenoid) (if present)	10 years or 250,000 operation cycles
Oil regulator (if present)	10 years or 250,000 operation cycles
Oil pipes/ couplings (metallic) (if present)	10 years
Flexible hoses (if present)	5 years or 30,000 pressurised cycles
Fan impeller	10 years or 500,000 start-ups

(A)

SAFETY TEST - WITH GAS SUPPLY CLOSED

For a safe start up it is very important to check that the electrical wiring between the gas valves and the burner has been carried out correctly.

To this end, after checking that the wiring has been carried out in conformity with the burner's wiring diagrams, a starting cycle must be carried out with the gas tap closed (dry test).

- 1 The manual gas valve should be closed with the locking/releasing device ("lock-out / tag out" procedure).
- 2 Make sure the limit electric contacts of the burner close
- 3 Make sure that the minimum gas pressure switch contact closes
- 4 Proceed with a burner start up attempt.

The starting cycle should take place with the following phases:

- Starting of the fan motor for the pre-purging
- Control of the gas valve leak detection, if applicable.
- Completion of the pre-purging
- Attainment of the ignition point
- Power supply to the ignition transformer
- Power supply to the gas valves.

Since the gas is closed, the burner will not be able to start and its control box will stop or safely lockout.

The effective powering of the gas valves can be verified with the insertion of a tester; some valves have indicator lights (or opening/closing position indicators) that are activated when they are powered.



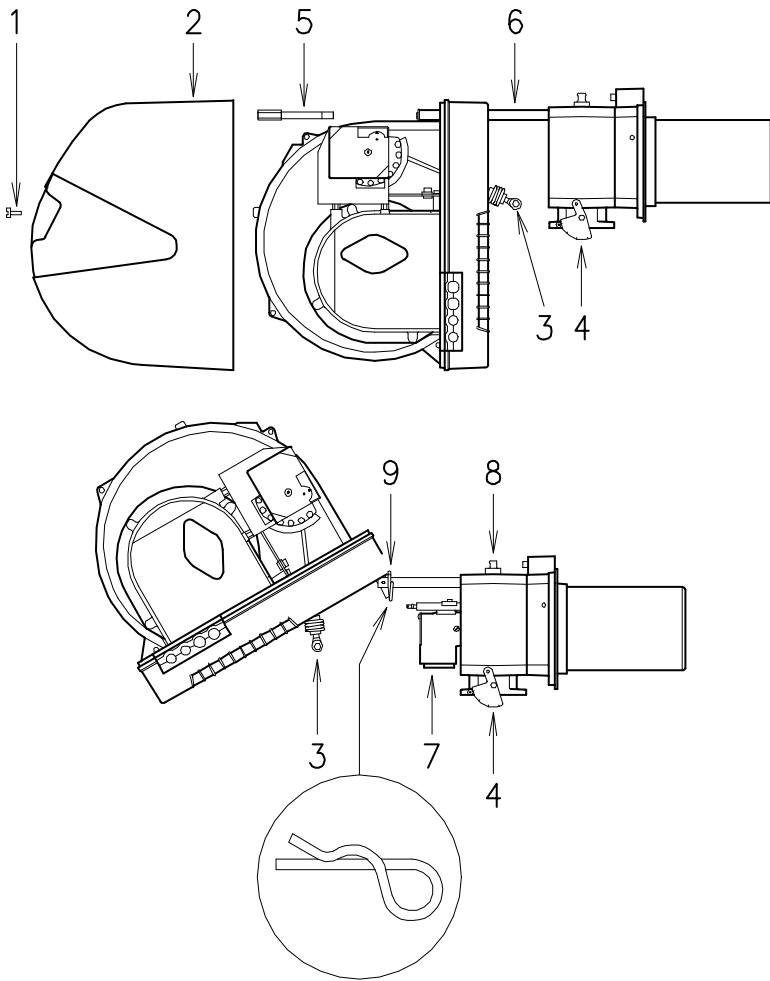
WARNING

IF THE ELECTRICAL SUPPLY TO THE GAS VALVES OCCURS AT UNEXPECTED TIMES, DO NOT OPEN THE MANUAL VALVE, DISABLE THE ELECTRICAL SUPPLY, CHECK THE WIRING; CORRECT THE ERRORS AND CARRY OUT THE ENTIRE TEST AGAIN.

SAFETY COMPONENTS

The safety components must be replaced at the end of their life cycle indicated in Tab (A). The specified life cycles do not refer to the warranty terms indicated in the delivery or payment conditions.

OPENING THE BURNER



TO OPEN THE BURNER (A):

- switch off the electrical power.
- Remove screw 1) and withdraw cover 2).
- Disengage the articulated coupling 3) from the graduated sector 4).
- Remove screw 5), the split pin 9) and pull the burner back by about 100 mm on the slide bars 6). Disconnect the probe and electrode leads and then pull the burner fully back.
- Turn the burner as shown in the figure and fit the split pin 9) into one of the slide bar holes so that the burner remains in position.

Now extract the gas distributor 7) after having removed the screw 8).

TO CLOSE THE BURNER (A):

- remove the split pin 9) push the burner until it is about 100 mm from the sleeve.
- Re-connect the leads and slide in the burner until it comes to a stop.
- Refit screw 5), the split pin 9) and pull the probe and electrode leads gently out until they are slightly stretched.
- Re-couple the articulated coupling 3) to the graduated sector 4).

(A)

D535

BURNER START-UP CYCLE DIAGNOSTICS

During start-up, indication is according to the following table:

COLOUR CODE TABLE	
Sequences	Colour code
Pre-purging	●●●●●●●●●●
Ignition phase	●○●○●○●○●○
Operation, flame ok	□□□□□□□□
Operating with weak flame signal	□○□○□○□○□○
Electrical supply lower than ~ 170V	●▲●▲●▲●▲●▲
Lock-out	▲▲▲▲▲▲▲▲▲▲
Extraneous light	▲□▲□▲□▲□▲□
Key:	○ Off ● Yellow □ Green ▲ Red



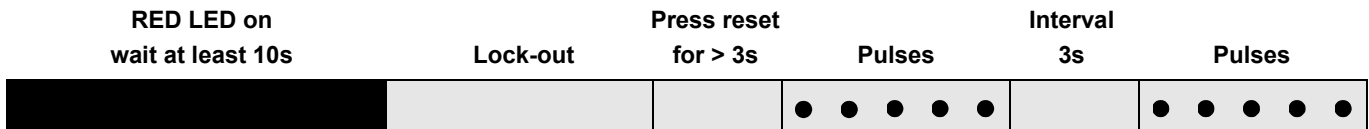
WARNING In the event of a burner lockout, more than two consecutive burner reset operations could cause damage to the installation. On the third lockout, contact the After-sales Service.



DANGER If further lockouts or burner faults occur, interventions must only be made by qualified, authorised personnel (as indicated in this manual, and in compliance with the laws and regulations currently in force).

RESETTING THE CONTROL BOX AND USING DIAGNOSTICS

The control box features a diagnostics function through which any causes of malfunctioning are easily identified (indicator: **RED LED**). To use this function, you must wait at least 10 seconds once it has entered the safety condition (**lock-out**), and then press the reset button. The control box generates a sequence of pulses (1 second apart), which is repeated at constant 3-second intervals. Once you have seen how many times the light pulses and identified the possible cause, the system must be reset by holding the button down for between 1 and 3 seconds.



The methods that can be used to reset the control box and use diagnostics are given below.

the coding system indicated in the table on page 18.

RESETTING THE CONTROL BOX

To reset the control box, proceed as follows:

- Hold the button down for between 1 and 3 seconds. The burner restarts after a 2-second pause once the button is released. If the burner does not restart, you must make sure the limit thermostat is closed.

VISUAL DIAGNOSTICS

Indicates the type of burner malfunction causing lock-out.

To view diagnostics, proceed as follows:

- Hold the button down for more than 3 seconds once the red LED (burner lock-out) remains steadily lit. A yellow light pulses to tell you the operation is done. Release the button once the light pulses. The number of times it pulses tells you the cause of the malfunction, according to

SOFTWARE DIAGNOSTICS

Reports burner life by means of an optical link with the PC, indicating hours of operation, number and type of lock-outs, serial number of control box etc ...

To view diagnostics, proceed as follows:

- Hold the button down for more than 3 seconds once the red LED (burner lock-out) remains steadily lit. A yellow light pulses to tell you the operation is done. Release the button for 1 second and then press again for over 3 seconds until the yellow light pulses again. Once the button is released, the red LED will flash intermittently with a higher frequency: only now can the optical link be activated.

Once the operations are done, the control box's initial state must be restored using the resetting procedure described above.

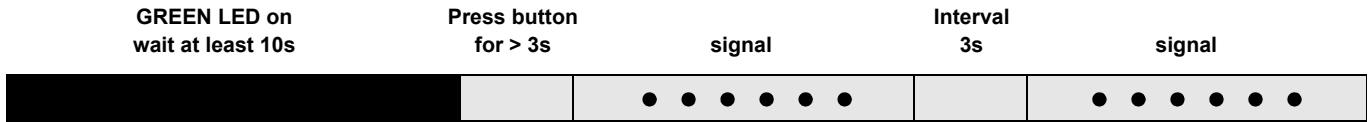
BUTTON PRESSED FOR	CONTROL BOX
Between 1 and 3 seconds	Control box reset without viewing visual diagnostics.
More than 3 seconds	Visual diagnostics of lock-out condition: (LED pulses at 1-second intervals).
More than 3 seconds starting from the visual diagnostics condition	Software diagnostics by means of optical interface and PC (hours of operation, malfunctions etc. can be viewed)

The sequence of pulses issued by the control box identifies the possible types of malfunction, which are listed in the table on page 18.

Signal	Problem	Possible cause	Recommended remedy
2 blinks ● ●	Once the pre-purging phase and safety time have passed, the burner goes into lockout without the appearance of the flame	1 - The operation solenoid lets little gas through 2 - One of the two solenoid valves does not open. 3 - Gas pressure too low 4 - Ignition electrode incorrectly adjusted 5 - Electrode grounded due to broken insulation 6 - High voltage cable defective 7 - High voltage cable deformed by high temperature 8 - Ignition transformer defective. 9 - Incorrect valve or transformer electrical wiring 10 - Defective control box 11 - A closed valve upline the gas train 12 - Air in pipework 13 - Gas valves unconnected or with interrupted coil	Increase Replace Increase pressure at governor Adjust, see fig. (D) page 6 Replace Replace Replace and protect Replace Check Replace Open Bleed air Check connections or replace coil
3 blinks ● ● ●	The burner does not switch on, and the lockout appears The burner switches on, but then stops in lockout Lockout during pre-purging phase	14 - Air pressure switch in operating position - Air pressure switch inoperative due to insufficient air pressure: 15 - Air pressure switch incorrectly adjusted. 16 - Pressure switch pressure test point pipe blocked 17 - Poorly adjusted head 18 - High pressure in the furnace 19 - Defective motor control contactor (only three-phase version) 20 - Defective electrical motor. 21 - Motor lockout (defective electrical motor)	Adjust or replace Clean Adjust Connect air pressure switch to fan suction line Replace Replace Replace
4 pulses ● ● ● ●	The burner switches on, but then stops in lockout Lockout when burner stops	22 - Flame simulation 23 - Permanent flame in the combustion head or flame simulation	Replace the control box Eliminate persistence of flame or replace control box
6 blinks ● ● ● ● ● ●	The burner switches on, but then stops in lockout	24 - Defective or incorrectly adjusted servomotor.	Adjust or replace
7 blinks ● ● ● ● ● ● ●	The burner goes into lockout immediately following the appearance of the flame Burner lockout moving between 1st and 2nd stages, or between 2nd and 1st stages Burner goes into lockout during operation	25 - The operation solenoid lets little gas through 26 - Ionisation probe incorrectly adjusted 27 - Insufficient ionisation (less than 5 A) 28 - Earth probe 29 - Burner poorly grounded. 30 - Phase and neutral connections inverted 31 - Defective flame detection circuit 32 - Too much air or too little gas 33 - Probe or ionisation cable grounded.	Increase Adjust, see fig. (D) page 6 Check probe position Withdraw or replace cable Check grounding Invert them Replace the control box Adjust air and gas Replace worn parts
10 blinks ● ● ● ● ● ● ● ●	The burner does not switch on, and the lockout appears The burner goes into lockout	34 - Incorrect electrical wiring 35 - Defective control box 36 - Presence of electromagnetic disturbances in the thermostat lines 37 - Presence of electromagnetic disturbance	Check Replace Filter or eliminate Use the radio disturbance protection kit
No blink	The burner does not start The burner continues to repeat the start-up cycle, without lockout Ignition with pulsations The burner does not move into the 2nd stage Burner stops with air damper open	38 - No electrical power supply. 39 - A limiter or safety control device is open 40 - Line fuse blocked 41 - Defective control box 42 - No gas supply 43 - Mains gas pressure insufficient 44 - Minimum gas pressure switch fails to close. 45 - Servomotor fails to move to min. ignition position 46 - The gas pressure in the gas mains lies very close to the value to which the minimum gas pressure switch has been set. The sudden drop in pressure after valve opening causes temporary opening of the pressure switch itself, the valve immediately closes and the burner comes to a halt. Pressure increases again, the pressure switch closes again and the ignition cycle is repeated. And so on 47 - Poorly adjusted head 48 - Ignition electrode incorrectly adjusted 49 - Incorrectly adjusted fan air damper: too much air 50 - Output during ignition phase is too high. 51 - Remote control device TR fails to close. 52 - Defective control box 53 - Defective servomotor. 54 - Defective servomotor.	Close all switches - Check connections Adjust or replace Replace Replace Open the manual valves between contactor and train Contact your GAS COMPANY Adjust or replace Replace Reduce the minimum gas pressure switch intervention pressure. Replace the gas filter cartridge. Adjust. See page 7 Adjust, see fig. (D) page 6 Adjust Reduce Adjust or replace Replace Replace Replace

NORMAL OPERATION / FLAME DETECTION TIME

The control box has a further function to guarantee the correct burner operation (signal: **GREEN LED** permanently on). To use this function, wait at least ten seconds from the burner ignition and then press the control box button for a minimum of 3 seconds. After releasing the button, the GREEN LED starts flashing as shown in the figure below.



The pulses of the LED constitute a signal spaced by approximately 3 seconds. The number of pulses will measure the probe DETECTION TIME since the opening of gas valves, according to the following table:

SIGNAL	FLAME DETECTION TIME
1 blink ●	0.4s
2 blinks ● ●	0.8s
6 blinks ● ● ● ● ● ●	2.8s

This is updated in every burner start-up. Once read, the burner repeats the start-up cycle by briefly pressing the control box button.
WARNING
 If the result is > 2s, ignition will be retarded. Check the adjustment of the hydraulic brake of the gas valve, the air damper and the combustion head adjustment.

ACCESSORIES (optional):

• **RADIO DISTURBANCE PROTECTION KIT**

If the burner is installed in places particularly subject to radio disturbance (emission of signals exceeding 10 V/m) owing to the presence of an INVERTER, or in applications where the length of the thermostat connections exceeds 20 metres, a protection kit is available as an interface between the control box and the burner.

BURNER	RS 64 MZ
	Code 3010386

• **KIT FOR LPG OPERATION:** The kit allows the RS 64 MZ burner to operate on LPG.

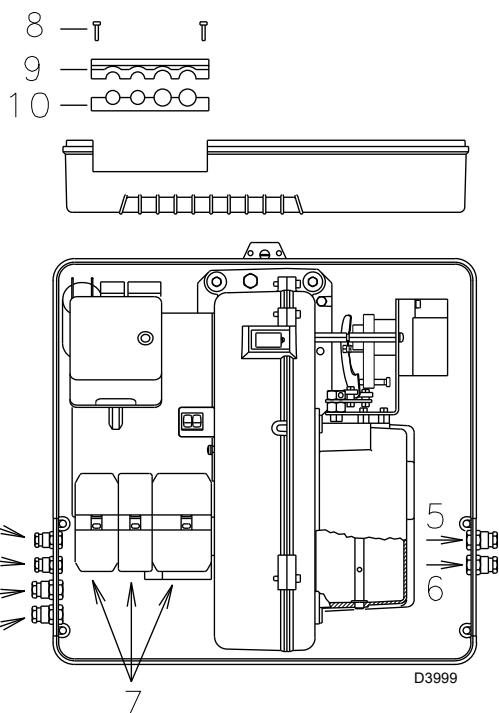
Output kW	400 - 920	
Blast tube length mm	250	385
	Code 3010434	Code 3010435

• KIT LONG HEAD	Code 3010427
• CLEAN CONTACTS KIT	Code 3010419
• GROUND FAULT INTERRUPTER	Code 3010321
• KIT INTERFACE ADAPTER RMG TO PC	Code 3002719

• **GAS TRAINS TO COUPLE WITH THE BURNER, ACCORDING TO REGULATION EN 676 (with valves, pressure governor and filter):** see page 8.

NOTE: The installer is responsible for the addition of any safety device not foreseen in this manual.

APPENDIX



Electrical connections



NOTES

The electrical wirings must be carried out in conformity with the regulations in force in the countries of destination, and by qualified personnel.

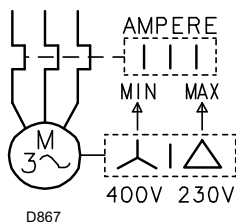
Riello S.p.A. cannot accept any responsibility for modifications or connections other than those shown in these diagrams.

Use flexible cables, in accordance with the regulation EN 60 335-1.

All the cables to be connected to the burner must pass through cable grommets.

The use of cable grommets can take various forms; the following way is just one possible solution:

- | | |
|----------|--|
| 1- Pg 11 | Three-phase power supply |
| 2- Pg 11 | Single-phase power supply |
| 3- Pg 9 | Remote control device TL |
| 4- Pg 9 | Remote control device TR or probe (RWF40) |
| 5- Pg 11 | Gas valves |
| 6- Pg 11 | Gas pressure switch or gas valve leak detection control device |



ADJUSTMENT OF THERMAL CUTOUT

Used to avoid the burning of the motor owing to a strong increase in the absorption, caused by the lack of a phase.

- If the motor is star-driven, **400V**, the cursor must be positioned on "MIN".
 - If it is delta-driven, **230V**, the cursor is positioned on "MAX".
- If the scale of the thermal cutout does not include the absorption of rating of the motor at 400V, the protection is guaranteed anyway.

NOTES

- The model RS 64 MZ three-phase leaves the factory with an electrical supply setting of **400V**. If **230V** power supply is used, change the motor connection from star to delta and change the setting of the thermal cutout as well.
- The burners RS 64 MZ have been approved for intermittent operation. This means they should be compulsorily stopped at least once every 24 hours to enable the control box to perform a check of its own efficiency at start-up.

Normally, the stopping of the burner is guaranteed by the boiler's thermostat/pressure switch. If this is not the case, a time switch should be fitted in series to IN to provide for burner shut-down at least once every 24 hours.

- The burners RS 64 MZ leave the factory set for two-phase operation, so the thermostat/pressure switch TR must be connected. If you want the burner to work with single-phase operation, insert (in place of the thermostat/pressure switch TR) a bridge between the terminals T6 - T8 of the plug X4.



ATTENTION:

- Do not invert the neutral with the phase in the electrical supply line. An inversion would lead to lockout due to ignition failure.
- Replace the components only with original spare parts.

Declaración de Conformidad A.R. 8/1/2004 & 17/7/2009 – Bélgica

Productor: RIELLO S.p.A.
37045 Legnago (VR) Italy
Tel. ++39.0442630111
www.riello.com

Puesta en circulación por: RIELLO NV
VAN MARCKE HQ
LAR Blok Z 5,
B-8511 Kortrijk (Aalbeke) BE
Tel. +32 56 23 7511
e-mail: riello@vanmarcke.be
URL. www.vanmarcke.com

Con la presente se certifica que la serie de aparatos especificada a continuación es conforme con el modelo tipo descrito en la declaración de conformidad CE, y está producida y puesta en circulación de acuerdo con los requisitos definidos en el D.L. del 8 de enero 2004 y 17 de julio 2009.

Tipo de producto: Quemador de gas de aire soplado
Modelo: RS 64 MZ
Norma aplicada: EN 267 y A.R. del 8 de enero 2004 y 17 de julio 2009
Estructura de control: TÜV Industrie Service GmbH
TÜV SÜD Gruppe
Ridlerstrase, 65
80339 München DEUTSCHLAND

Valores medidos: CO max: 1 mg/kWh
NOx max: 96,153 mg/kWh

Declaración del fabricante

RIELLO S.p.A. declara que los siguientes productos respetan los valores límite de emisión de los NOx impuestos por la legislación alemana "1. BImSchV versión 26.01.2010".

Producto	Tipo	Modelo	Potencia
Quemador de gas de aire soplado	885T	RS 64 MZ	150 - 850 kW

Legnago, 03.05.2021

Director Investigación y Desarrollo
RIELLO S.p.A. - Dirección Quemadores

Ing. F. Maltempi



- El quemador **posee la marca CE** y es conforme a los requisitos fundamentales de las siguientes Directivas:
 - CE Reg. N.: **0085BR0558** según 2016/426/UE (Reglamento Aparatos de Gas);
 - Directiva Compatibilidad Electromagnética 2014/30/UE;
 - Directiva Baja Tensión 2014/35/UE;
 - Directiva Máquinas 2006/42/CE;
- El quemador tiene un grado de protección IP 40 según EN 60529.

IDENTIFICACIÓN

La Placa de identificación del producto indica el número de matrícula, el modelo y los datos principales técnicos y prestacionales. La adulteración, extracción, falta de la Placa de identificación no permitirá identificar el producto y presentará dificultad y/o peligros en cualquier operación de instalación o mantenimiento.

ADVERTENCIAS GENERALES

Para garantizar una combustión con la mínima cantidad de emisiones contaminantes, las medidas y el tipo de cámara de combustión del generador de calor deben corresponder a valores bien definidos.

Por consiguiente se aconseja consultar al Servicio Técnico de Asistencia antes de escoger este tipo de quemador para montarlo en una caldera.

El personal cualificado es el que cumple los requisitos técnico-profesionales indicados en la ley 5 marzo 1990 n° 46. La organización comercial dispone de una amplia red de agencias y servicios técnicos cuyo personal participa periódicamente en cursos de instrucción y actualización en el Centro de Formación de la empresa.

Este quemador está destinado para el uso para el que ha sido expresamente fabricado.

El constructor excluye cualquier responsabilidad contractual o extracontractual por daños causados a personas, animales o cosas por errores en la instalación y calibrado del quemador, por un uso impropio del mismo, erróneo o irracional, por el incumplimiento del manual de instrucciones suministrado en dotación con el mismo quemador y por la intervención de personal no cualificado.

INFORMACIONES PARA EL USUARIO

Si se verificaran irregularidades de encendido o de funcionamiento, el quemador efectuará una “parada de seguridad”, identificada con la señal roja de bloqueo del quemador.


Para restablecer las condiciones de arranque, hay que oprimir el botón de desbloqueo. Cuando el quemador arranca, la luz roja se apaga.


Dicha operación se puede repetir 3 veces como máximo. Si las “paradas de seguridad” fueran frecuentes, hay que contactar al Servicio Técnico de Asistencia.

REGLAS FUNDAMENTALES DE SEGURIDAD

- Está prohibido que niños o personas inexpertas usen el aparato.
- Está prohibido tapar con trapos, papeles o demás las rejillas de aspiración o de disipación y la ventilación del local donde está instalado el aparato.
- Está prohibido que personal no autorizado trate de reparar el aparato.
- Es peligroso tirar de los cables eléctricos o retorcerlos.
- Está prohibido limpiar el aparato antes de haberlo desconectado de la alimentación eléctrica.
- No limpiar el quemador ni sus componentes con sustancias inflamables (ej. gasolina, alcohol, etc.). El cuerpo se debe limpiar sólo con agua con jabón.
- No apoyar objetos sobre el quemador.
- No dejar envases ni sustancias inflamables en el local donde está instalado el aparato.

En algunas partes del manual se utilizan los símbolos:

 **ATENCIÓN** = para acciones que requieren un particular cuidado y una adecuada preparación.

 **PROHIBIDO** = para acciones que **NO DEBEN** ser efectuadas.

E ÍNDICE

DATOS TÉCNICOS	página 2
Datos eléctricos	2
Descripción del quemador	3
Embalaje - Peso	3
Dimensiones	3
Forma de suministro	3
Campo de trabajo	4
Caldera de prueba	4
Calderas comerciales	4
Presión del gas	5
INSTALACIÓN	5
Placa caldera	6
Longitud tubo llama	6
Fijación del quemador a la caldera	6
Regulación del cabezal de combustión	7
Línea alimentación de gas	8
Regulaciones previa al encendido	9
Servomotor	9
Puesta en marcha del quemador	9
Encendido del quemador	9
Regulación del quemador:	10
1 - Potencia de encendido	10
2 - Potencia en 2. ^a llama	10
3 - Potencia en 1. ^a llama	11
4 - Potencias intermedias	11
5 - Presostato aire	12
6 - Presostato gas de mínima	12
Control presencia llama	12
Funcionamiento del quemador	13
Controles finales	14
Mantenimiento	14
Prueba de seguridad – con alimentación gas cerrada	15
Componentes de seguridad	15
Diagnos programa de arranque	17
Desbloqueo de la caja de control y uso diagnosis	17
Anomalía - Causa Probable - Solución	18
Funcionamiento normal / tiempo de detección llama	19
Accesorios	19
Apéndice	20
Esquema cuadro eléctrico	21

Nota

Las figuras que se mencionan en el texto se identifican del modo siguiente:

- 1)(A) = Detalle 1 de la figura A, en la misma página que el texto;
- 1)(A)p.8 = Detalle 1 de la figura A, página N° 8.

DATOS TÉCNICOS

E

MODELO			RS 64 MZ	
TIPO			885 T	
POTENCIA (1)	MAX.	kW Mcal/h	400 - 850 345 - 730	
	MIN.	kW Mcal/h	150 130	
COMBUSTIBLE			GAS NATURAL: G20 - G21 - G22 - G23 - G25	
			G20	G25
- Poder calorífico inferior		kWh/Sm ³	9,45	8,13
		Mcal/Sm ³	8,2	7,0
- Densidad absoluta		kg/Sm ³	0,71	0,78
- Caudal máximo		Sm ³ /h	90	104,5
- Presión al máximo caudal (2)		mbar	10,7	16,1
FUNCIONAMIENTO			<ul style="list-style-type: none"> Intermitente (mín. 1 paro en 24 horas). Doble llama (alta y baja llama) y una sola llama (todo - nada). 	
UTILIZACIÓN			Calderas: de agua, a vapor y aceite térmico	
TEMPERATURA AMBIENTE		°C	0 - 40	
TEMPERATURA AIRE COMBURENTE		°C max	60	
NIVEL SONORO (3)	PRESIÓN SONORA POTENCIA SONORA	dba	76 87	

(1) Condiciones de referencia: Temperatura ambiente 20°C - Temperatura gas 15°C - Presión barométrica 1013 mbar - Altitud sobre el nivel del mar 0 m.

(2) Presión en la toma 7)(A)p.3 con presión cero en la cámara de combustión, y a la máxima potencia del quemador.

(3) Presión sonora medida en el laboratorio de combustión del fabricante, con quemador en funcionamiento en caldera de prueba, a la potencia máxima. La Potencia sonora se mide con el método "Free Field", previsto por la Norma EN 15036, y según una precisión de medición "Accuracy: Category 3", como se describe en la Norma EN ISO 3746.

DATOS ELÉCTRICOS

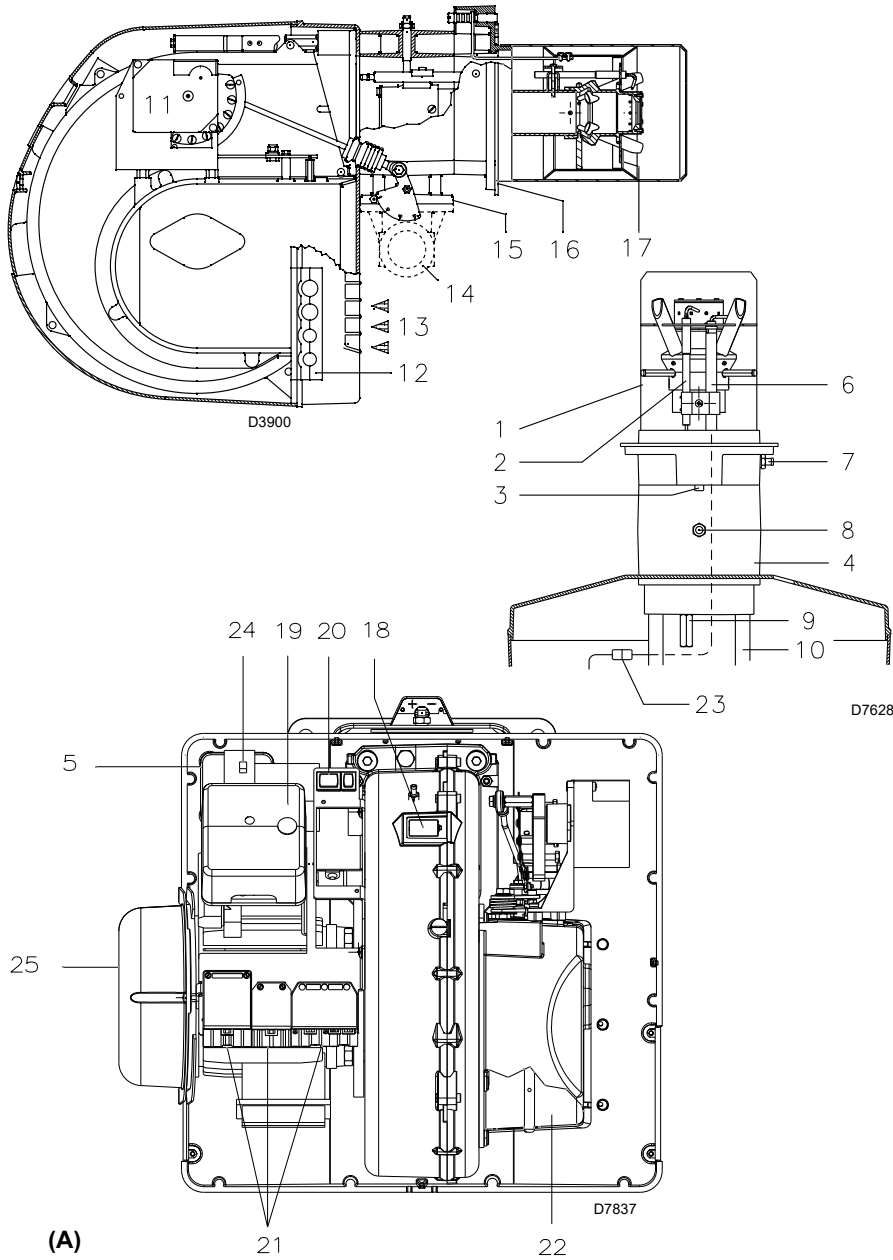
MODELO		RS 64 MZ	
ALIMENTACIÓN ELÉCTRICA	V Hz	230 - 400 com neutro ~ +/- -10% 50 - trifásica	
MOTOR ELÉCTRICO IE3	rpm	2880	
	W	1100	
	V	220-240 / 380-415	
	A	4,3 - 2,5	
TRANSFORMADOR DE ENCENDIDO	V1 - V2 I1 - I2	230 V - 1x15 kV 1 A - 25 mA	
POTENCIA ELÉCTRICA ABSORBIDA	W max	1500	
GRADO DE PROTECCIÓN		IP 40	

VERSIONES CONSTRUCTIVAS

Longitud tubo llama mm	250 - 385
------------------------	-----------

CATEGORÍAS GAS

PAÍS	CATEGORÍA
IT - AT - GR - DK - FI - SE	II ₂ H3B / P
ES - GB - IE - PT	II ₂ H3P
NL	I ₂ L - I ₂ E - I ₂ (43.46 ÷ 45.3 MJ/m ³ (0°C))
FR	II ₂ Er3P
DE	II ₂ ELL3B /P
BE	I ₂ E(R)B, I ₃ P
LU - PL	II ₂ E 3B/P



DESCRIPCIÓN DEL QUEMADOR (A)

- 1 Cabezal de combustión
- 2 Electrodo de encendido
- 3 Tornillo regulación cabezal de combustión
- 4 Manguito
- 5 Presostato aire de mínima (tipo diferencial)
- 6 Sonda para controlar la presencia de llama
- 7 Toma de presión de aire
- 8 Toma de presión de gas y tornillo fijación cabezal
- 9 Tornillo fijación del ventilador al soporte quemador
- 10 Guías para abertura del quemador e inspección del cabezal de combustión
- 11 Servomotor, para el control de la válvula de mariposa del gas y, mediante una leva de perfil variable, el registro del aire. Cuando el quemador está parado, el registro del aire está completamente cerrado para reducir al mínimo la dispersión térmica de la caldera debido al tiro que toma aire de la boca de aspiración del ventilador.
- 12 Placa con 4 orificios insinuados, para el paso de cables eléctricos
- 13 Entrada aire del ventilador
- 14 Conducto entrada gas
- 15 Válvula mariposa gas
- 16 Brida para la fijación a la caldera
- 17 Disco estabilizador de llama
- 18 Visor llama
- 19 Caja de control con piloto luminoso de bloqueo y pulsador de desbloqueo
- 20 Un interruptor para funcionamiento: automático - manual - paro
Un pulsador para: aumento - disminución de potencia
- 21 Conectores para la conexión eléctrica
- 22 Registro de aire
- 23 Conector macho-hembra cable sonda de ionización
- 24 Contactor motor y relé térmico con botón de desbloqueo
- 25 Protección motor

Hay dos posibilidades de bloqueo del quemador:

• BLOQUEO CAJA DE CONTROL:

La iluminación del pulsador de la caja de control 19)(A) indica que el quemador está bloqueado.

Para desbloquear, oprimir el pulsador.

• BLOQUEO MOTOR:

alimentación eléctrica trifásica; para desbloquear, oprimir el pulsador del relé térmico 24)(A).

EMBALAJE - PESO (B) - medidas indicativas

- Los quemadores se expiden en embalaje de cartón, cuyas dimensiones se especifican en la tabla (B).
- El peso del quemador completo con embalaje se indica en la tabla (B).

DIMENSIONES (C) - medidas indicativas

Las dimensiones máximas del quemador se indican en (C).

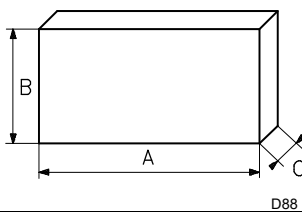
Tener en cuenta que para inspeccionar el cabezal de combustión, el quemador debe desplazarse hacia atrás y girarse hacia arriba.

Las dimensiones máximas del quemador abierto, sin envolvente, está indicada por la cota H.

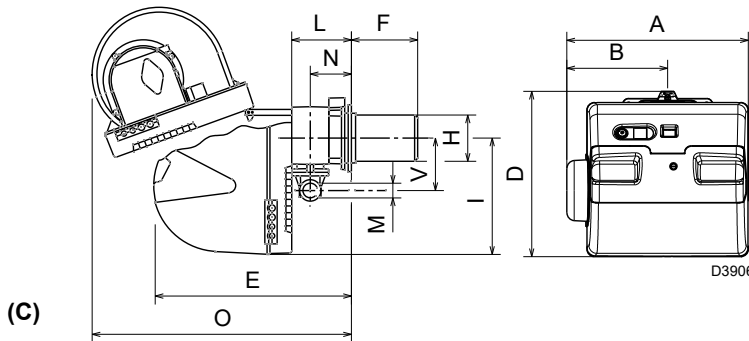
FORMA DE SUMINISTRO

- 1 - Brida conexión rampa de gas
- 1 - Junta brida
- 4 - Tornillos para fijar la brida M 10 x 35
- 1 - Junta aislante
- 4 - Tornillos para fijar la brida del quemador a la caldera M 12 x 35
- 5 - Pasacables para la conexión eléctrica
- 1 - Protección motor (con tornillo de fijación)
- 1 - Grupo conectores
- 1 - Instrucciones
- 1 - Lista de recambios

mm	A	B	C	kg
RS 64 MZ	1200	520	580	42



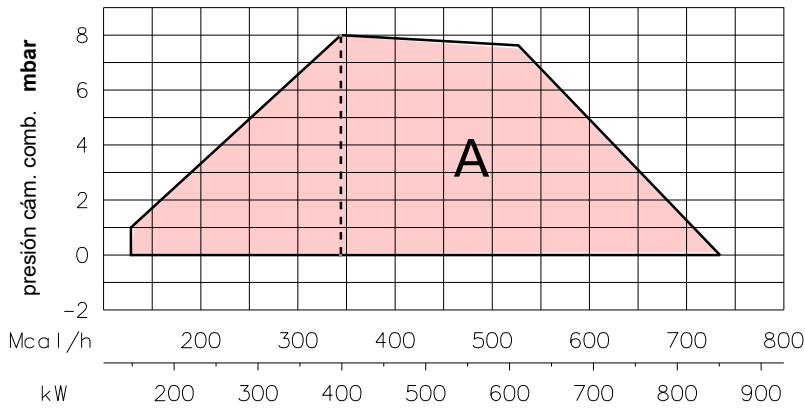
(B)



(C)

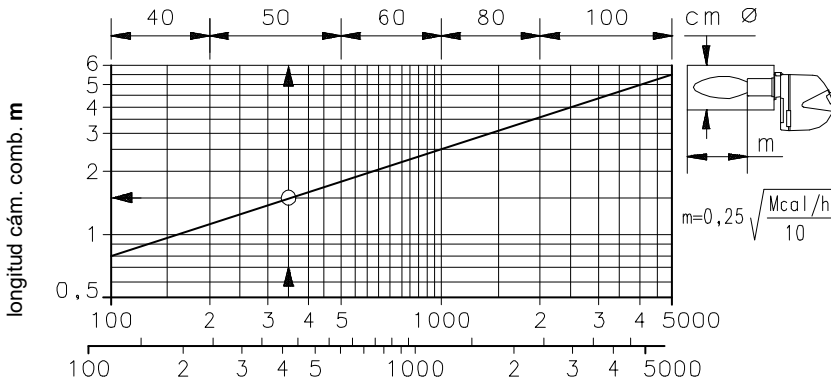
mm	A	B	D	E	F (1)	H	I	L	O	N	V	M
RS 64 MZ	533	300	490	640	250 - 385	179	352	222	870	134	221	2"

(1) Tubo llama: corto-largo



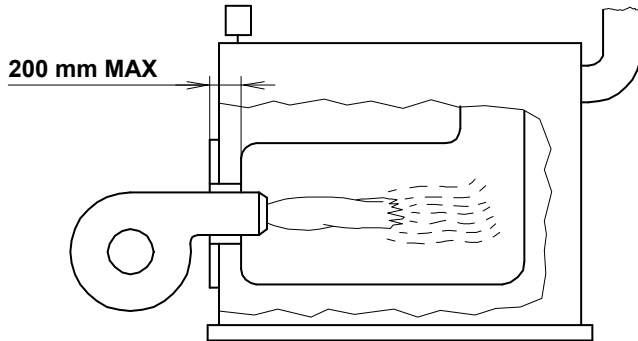
(A)

D3903



(B)

D497



(C)

D1079

CAMPO DE TRABAJO (A)

Durante el funcionamiento, la potencia del quemador varía entre:

- una **POTENCIA MÁXIMA**, elegida dentro del área A.
- y una **POTENCIA MÍNIMA**, que no debe ser inferior al límite mínimo del diagrama.



Atención:

El CAMPO DE TRABAJO se ha establecido a la temperatura ambiente de 20°C, con una presión barométrica de 1013 mbar (unos 0 m s.l.m.) y con el cabezal de combustión regulado como se indica en la pág. 7.

CALDERA DE PRUEBA (B)

Los campos de trabajo se han obtenido con calderas de prueba especiales, según la norma EN 676.

En la figura (B) se indica el diámetro y longitud de la cámara de combustión de prueba.

Ejemplo:

Potencia 350 Mcal/h

diámetro = 50 cm, longitud = 1,5 m.

CALDERAS COMERCIALES (C)

En el acoplamiento quemador-caldera no hay ningún problema si la caldera tiene la homologación CE y si las dimensiones de la cámara de combustión se aproximan a las indicadas en el gráfico (B).

Si por el contrario el quemador debe instalarse en una caldera comercial no homologada CE o con dimensiones de cámara de combustión mucho más pequeñas que las indicadas en el gráfico (B), se debe consultar al fabricante.

Además, para calderas de inversión es aconsejable controlar la longitud de cabezal de combustión tal como prescribe el constructor de la caldera.

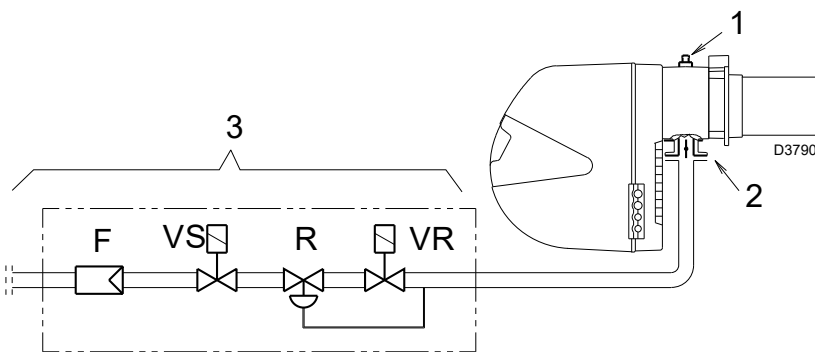
El espesor máximo de la escotilla anterior de la caldera no debe superar los 200 mm (ver fig. C).

RS 64 MZ

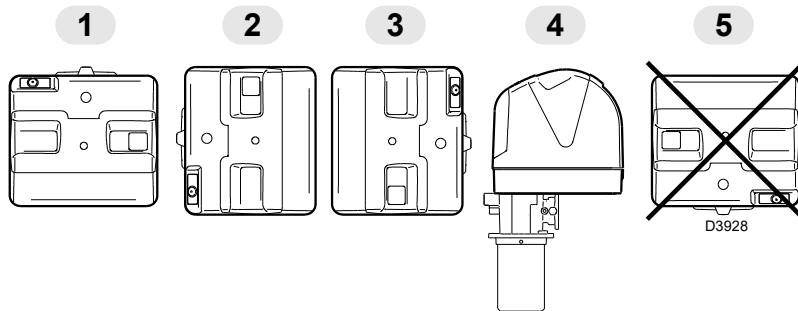
Δp (mbar)

kW	1	2	3			
			3970144 3970197	3970180 3970198	3970181 3970182	3970221 3970225
400	2.0	0.3	14.1	7.4	5.2	3.8
450	2.8	0.4	17.0	8.8	6.1	4.0
475	3.3	0.5	18.4	9.4	6.6	4.1
500	3.7	0.5	19.9	10.1	7.0	4.2
550	4.5	0.6	23.2	11.6	8.2	4.4
600	5.4	0.7	26.7	13.2	9.5	4.6
625	5.8	0.8	28.5	13.9	10.1	4.7
650	6.3	0.9	30.3	14.7	10.8	4.9
700	7.4	1.0	34.0	16.4	12.1	5.1
750	8.5	1.2	37.7	18.0	13.4	5.4
800	9.6	1.3	41.5	19.9	14.8	5.8
850	10.7	1.5	45.3	21.8	16.3	6.2

(A)



(B)



(C)

PRESIÓN DEL GAS

Las tablas que hay al margen indican las pérdidas de carga mínimas de la línea de alimentación de gas en función de la potencia máxima del quemador.

Columna 1

Pérdida de carga cabezal de combustión.

Presión del gas medida en la toma 1)(B), con la cámara de combustión a 0 mbar.

Columna 2

Pérdida de carga registro mariposa gas 2)(B) con abertura máxima: 90°.

Columna 3

Pérdida de carga rampa de gas 3)(B) comprende: válvula de regulación VR, válvula de seguridad VS (ambas con la máxima abertura), regulador de presión R, filtro F.

Los valores indicados en las tablas se refieren a: gas natural G 20 PCI 9,45 kWh/Sm³ (8,2 Mcal/Sm³)

Con:

gas natural G 25 PCI 8,13 kWh/Sm³ (7,0 Mcal/Sm³)

multiplique los valores de la tabla:

- columna 1-2: por 1,5;

- columna 3: por 1,35.

Para conocer la potencia MÁX aproximada a la que está funcionando el quemador:

- Restar a la presión del gas en la toma 1)(B) la presión de la cámara de combustión.

- Encontrar en la tabla correspondiente al quemador columna 1, el valor de presión más cercano al resultado de la sustracción.

- Leer a la izquierda la potencia correspondiente.

Ejemplo:

• Funcionamiento a la MÁX potencia

• Gas natural G 20 PCI 9,45 kWh/Sm³

• Presión de gas en la toma 1)(B) = 6,7 mbar

• Presión en la cámara de combustión = 3 mbar
6,7 - 3 = 3,7 mbar

A la presión de 3,7 mbar, columna 1, corresponde en la tabla RS 64 MZ una potencia de 500 kW.

Este valor sirve como primera aproximación; el real se determinará a través del contador.

En cambio, para conocer la presión de gas necesaria en la toma 1)(B), una vez fijada la potencia MÁX a la que se desea que funcione el quemador:

- Hallar la potencia más cercana al valor deseado, en la tabla relativa al quemador que se considere.

- Leer a la derecha, columna 1, la presión en la toma 1)(B).

- Sumar a este valor la presión estimada de la cámara de combustión.

Ejemplo:

• Potencia MÁX deseada: 500 kW

• Gas natural G 20 PCI 9,45 kWh/Sm³

• Presión del gas a la potencia de 500 kW, de la tabla RS 64 MZ, columna 1 = 3,7 mbar

• Presión en la cámara de combustión = 3 mbar
3,7 + 3 = 6,7 mbar

presión necesaria en la toma 1)(B).



Los datos de potencia térmica y presión del gas en el cabezal corresponden al funcionamiento con válvula de mariposa de gas completamente abierta (90°).

INSTALACIÓN

EL QUEMADOR SE DEBE INSTALAR DE CONFORMIDAD CON LAS LEYES Y NORMATIVAS LOCALES.

POSICIÓN DE FUNCIONAMIENTO (C)

El quemador está preparado exclusivamente para el funcionamiento en las posiciones **1, 2, 3 y 4**.

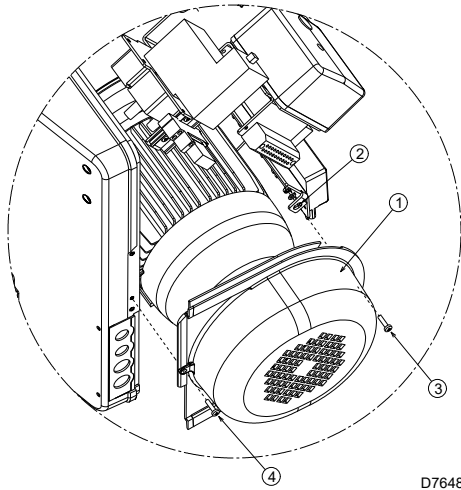
Es conveniente escoger la instalación **1** puesto que es la única que permite el mantenimiento tal como descrito a continuación en este manual. Las instalaciones **2, 3 y 4** permiten el funcionamiento per provocan que las operaciones de mantenimiento y de inspección del cabezal de combustión sean menos ágiles pág. 14.

Otra posición se debe considerar comprometedora para el funcionamiento correcto del aparato.

La instalación **5** está prohibida por motivos de seguridad.



ANTES DE MONTAR EL ENVOLVENTE ES NECESARIO FIJAR LA PROTECCIÓN DEL MOTOR, SUMINISTRADA DE SERIE (1)(A), EN LA BRIDA (2)(A), UTILIZANDO LOS CORRESPONDIENTES TORNILLOS (3)(A) CON TUERCA Y ARANDELA. FIJE LA BRIDA AL ESCUDO ANTERIOR DEL QUEMADOR MEDIANTE EL TORNILLO (4)(A).



(A)

D7648

PLACA CALDERA (B)

Taladrar la placa de cierre de la cámara de combustión tal como se indica en (B). Puede marcarse la posición de los orificios roscados utilizando la junta aislante que se suministra con el quemador.

LONGITUD TUBO LLAMA (C)

La longitud del tubo llama debe ser mayor del espesor de la puerta de la caldera, con el refractario incluido.

Las longitudes, L (mm), disponibles son:

Tubo llama 10)

- corto 250
- largo 385

Para calderas con pasos de humos delanteros 15) o con cámara de inversión de llama, colocar una protección de material refractario 11) entre el refractario de la caldera 12) y el tubo de llama 10).

Esta protección debe permitir el desplazamiento del tubo de llama.

Para calderas con el frontal enfriado con agua, no es necesario el revestimiento refractario 11)-12), si el constructor de la caldera no indica expresamente lo contrario.

FIJACIÓN DEL QUEMADOR A LA CALDERA (D)

Antes de fijar el quemador a la caldera, verificar (a través de la abertura del tubo de llama) si la sonda y el electrodo de encendido están correctamente posicionados como se muestra en la figura (D).

Separe después el cabezal de combustión del resto del quemador, fig. (C).

- Quitar el tornillo 13) y extraer la cubierta 14).
- Soltar la rótula 4) del sector graduado 5).
- Sacar los tornillos 2) de las dos guías 3).
- Desenroscar los tornillos 1) y desplazar el quemador por las guías 3) unos 100 mm;
- Desconectar los cables de la sonda y del electrodo y a continuación extraer por completo el quemador de las guías, después de haber sacado el pasador de la guía 3).

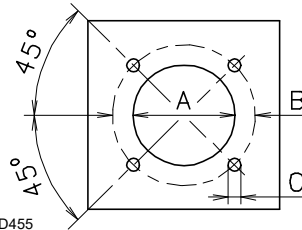
Fije la brida 9)(C) a la placa de la caldera interponiendo la protección aislante 6)(C) suministrada de serie. Utilizar los 4 tornillos que se suministran, después de haber protegido la rosca con algún producto antibloqueo.

El acoplamiento del quemador con la caldera debe ser hermético.

Si en la verificación anterior, la posición de la sonda o del electrodo no era correcta, desenroscar el tornillo 1)(E), extraer la parte interior 2)(E) del cabezal y calibrelos.

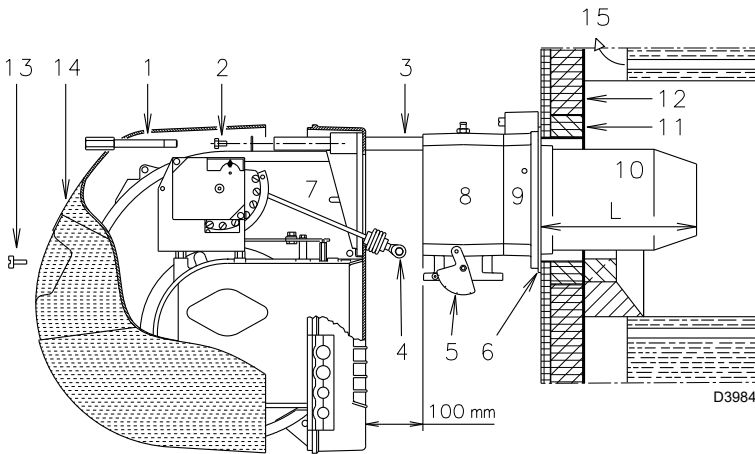
No hacer girar la sonda, sino dejarla como se indica en (D); ya que si se sitúa demasiado cerca del electrodo de encendido podría dañar el amplificador de la caja de control.

mm	A	B	C
RS 64 MZ	185	275 - 325	M 12



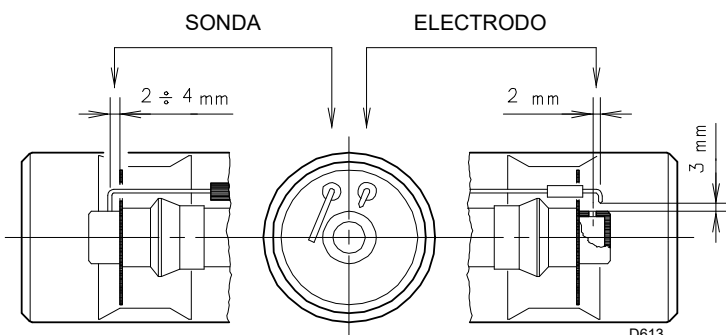
(B)

D455



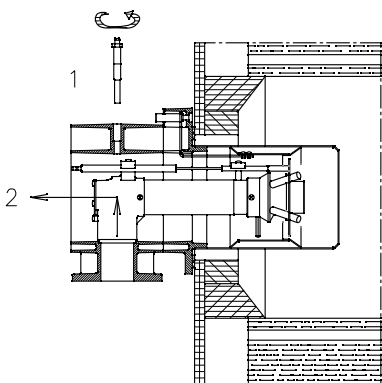
D3984

(C)



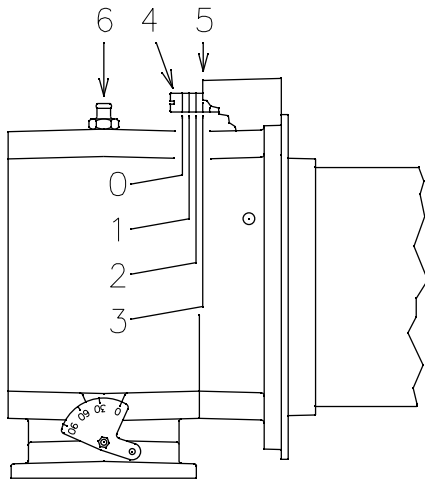
(D)

D613



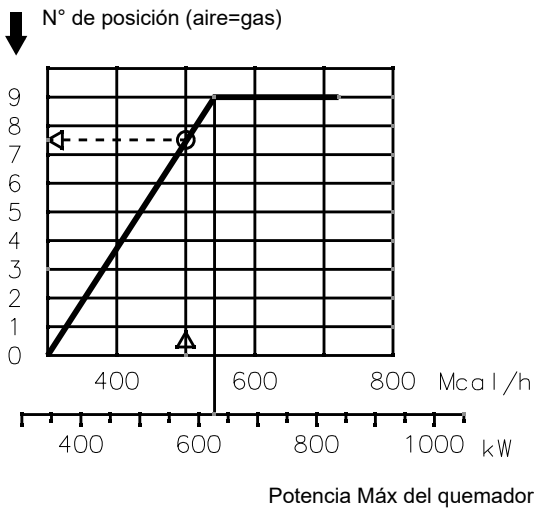
(E)

D3904



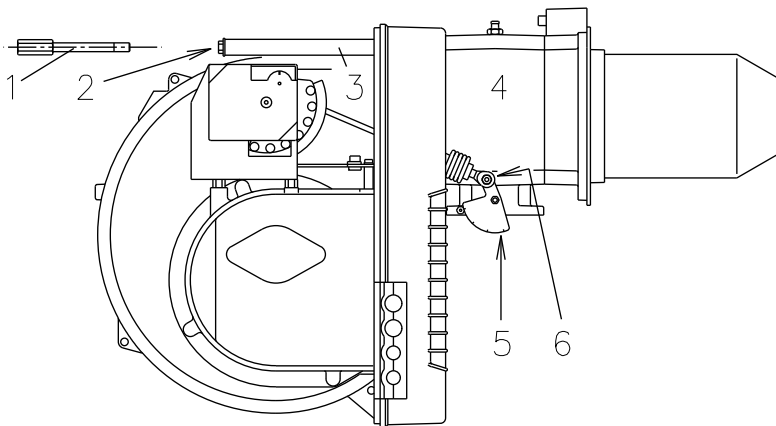
(A)

D3905



(B)

D3909



(C)

D3985

REGULACIÓN CABEZAL DE COMBUSTIÓN

En este punto de la instalación, el tubo de llama y el soporte quemador se fijan a la caldera como se indica en la fig. (A). Por tanto, la regulación del cabezal de combustión es particularmente ágil, regulación que depende únicamente de la potencia máxima del quemador.

Por tanto, antes de efectuar esta regulación se debe conocer este valor.

Está prevista la regulación del cabezal lado aire.

Encuentre en el diagrama (B) la muesca a la que regular el aire y después:

Regulación aire (A)

Girar el tornillo 4)(A) hasta que coincida el número de posición hallada con el plano anterior 5)(A) de la brida.

Ejemplo

Potencia MÁX quemador = 500 Mcal/h.

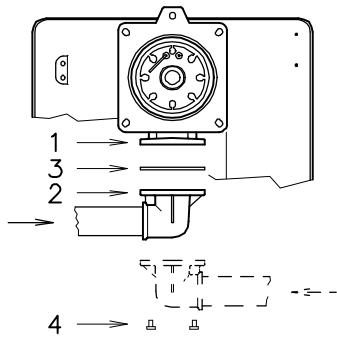
Del diagrama (B) resulta que para esta potencia la regulación del aire se realiza en la muesca 7.5, como se indica en la fig. (A).

Una vez terminada la regulación del cabezal, vuelva a montar el quemador en las guías 3)(C) a unos 100 mm del collarín 4)(C) - quemador en la posición ilustrada en la fig. (C).p.6 - introduzca el cable de la sonda y el cable del electrodo y deslice después el quemador hasta el collarín, quemador en la posición indicada en la fig. (C). Vuelva a poner los tornillos 2) en las guías 3). Vuelva a poner los tornillos 2) en las guías 3). Fije el quemador al collarín con el tornillo 1). Volver a enganchar la rótula 6) en el sector graduado 5).



Atención

En el momento de cerrar el quemador en las guías, es conveniente tirar suavemente hacia afuera del cable de alta tensión y de la sonda para controlar la presencia de llama, hasta que estén ligeramente tensados.



(A)

D505

LÍNEA ALIMENTACIÓN DE GAS

- La rampa de gas se conecta a la toma del gas 1)(A), a través de la brida 2), la junta 3) y los tornillos 4) suministrados de serie con el propio quemador.
- La rampa puede llegar por la derecha o por la izquierda, según convenga. ver fig. (A).
- Las electroválvulas del gas deben estar lo más cerca posible del quemador para asegurar la llegada del gas al cabezal de combustión en el tiempo de seguridad de 3s.
- Asegurarse de que el campo de tarado del regulador de presión (color del muelle) abarque la presión de gas que necesita el quemador.

RAMPA DE GAS (B)

Está homologada según la norma EN 676 y se suministra por separado, con el número de referencia que se indica en la tabla (C).

LEYENDA (B)

- 1 - Conducto llegada gas
- 2 - Válvula manual
- 3 - Junta antivibratoria
- 4 - Manómetro con válvula de pulsador
- 5 - Multibloc que incluye:
 - filtro (sustituible)
 - válvula de funcionamiento
 - regulador de presión
- 6 - Presostato gas de mínima
- 7 - Dispositivo de control de la estanqueidad de las válvulas.
Según la norma EN 676, el control de estanqueidad es obligatorio para quemadores con potencia máxima superior a 1200 kW.
- 8 - Junta
- 9 - Registro mariposa de gas
- 10 - Presostato gas de máxima (accesorio)
- 11 - Adaptador rampa de gas-quemador

P1 - Presión en el cabezal de combustión

P2 - Presión por encima de las válvulas/regulador

L - Rampa de gas suministrada por separado, con el N° de Ref. que se indica en la tabla (C)

L1 - A cargo del instalador

LEYENDA TABLA (C)

C.T.= Dispositivo de control estanqueidad válvulas de gas:

- = Rampa sin dispositivo de control de estanqueidad; dispositivo que se puede pedir por separado, véase columna 7, y ser montado sucesivamente.

◆ = Rampa con dispositivo de control de estanqueidad montado.

7 = Dispositivo de control estanqueidad válvulas VPS.

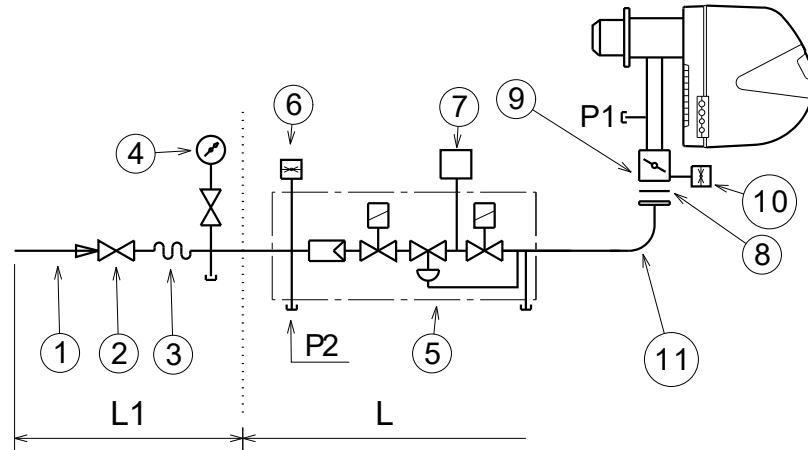
Se suministra aparte de la rampa de gas, sobre demanda.

11 = Adaptador rampa-quemador.

Se suministra aparte de la rampa de gas, sobre demanda.

Nota

Para la regulación de la rampa de gas, ver las instrucciones que acompañan a la misma.



(B)

D3791

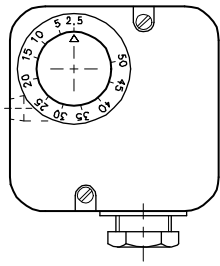
QUEMADORES Y RAMPAS DE GAS HOMOLOGADAS SEGÚN NORMA EN 676

RAMPAS DE GAS L				7	11
Código	Modelo	Ø	C.T.	Código	Código
3970144	MB-DLE 412	1"1/4"	-	3010123	3000843
3970197	MB-DLE 412 CT	1"1/4"	◆	3010123	3000843
3970180	MB-DLE 415	1"1/2"	-	3010123	3000843
3970198	MB-DLE 415 CT	1"1/2"	◆	3010123	3000843
3970181	MB-DLE 420	2"	-	3010123	-
3970182	MB-DLE 420 CT	2"	◆	-	-
3970221	MBC-1200-SE -50	2"	-	3010123	-
3970225	MBC-1200-SE -50 CT	2"	◆	-	-

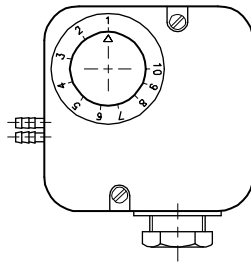
(C)

PRESOSTATO GAS DE MÍN.

PRESOSTATO AIRE

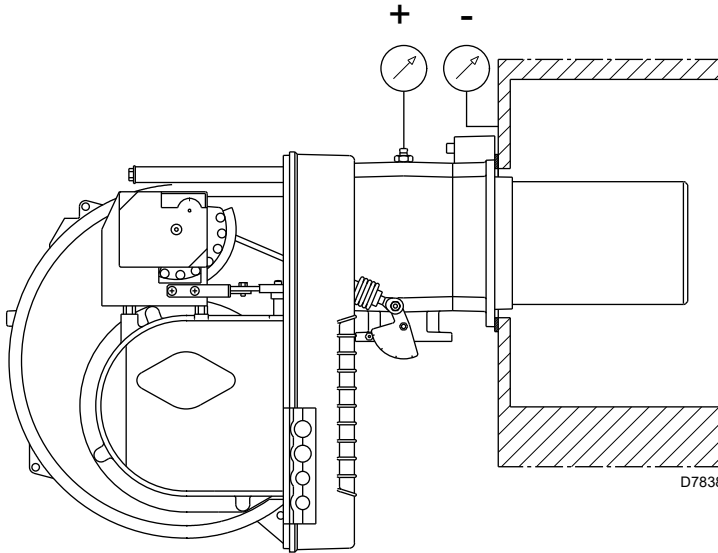


(A)



(B)

D897



D7838

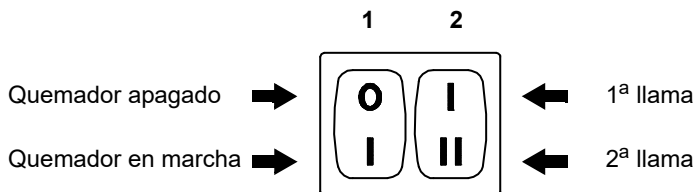
(C)

SERVOMOTOR



(D)

D517



(E)

D469

REGULACIONES PREVIA AL ENCENDIDO

ATENCIÓN

EL PRIMER ENCENDIDO DEBE SER REALIZADO POR PERSONAL CUALIFICADO Y CON LAS HERRAMIENTAS IDÓNEAS.

La regulación del cabezal de combustión, aire y gas, ya se ha descrito en la pág. 7.

- Efectuar, además, las siguientes regulaciones:
- Abrir las válvulas manuales situadas antes de la rampa de gas.
 - Regular el presostato gas de mínima al inicio de la escala (A).
 - Regular el presostato aire al inicio de la escala (B).
 - Purgar el aire de la línea de gas.
 - Es aconsejable evacuar el aire purgado al exterior del edificio (mediante un tubo de plástico) hasta notar el olor característico del gas.
 - Instalar un manómetro (C) en la toma de presión del collarín.
Sirve para calcular, aproximadamente, la potencia del quemador en 2.ª llama mediante las tablas de la pág. 5.
 - Conectar en paralelo a las dos electroválvulas de gas VR y VS, dos lámparas o un tester para controlar el momento de la llegada de tensión.
Esta operación no es necesaria si cada una de las electroválvulas va equipada de una luz piloto que señale la presencia de tensión eléctrica.

Antes de poner en marcha el quemador, es conveniente regular la rampa de gas de forma que el encendido se produzca en condiciones de máxima seguridad, es decir, con un pequeño caudal de gas.

SERVOMOTOR (D)

El servomotor regula simultáneamente el registro del aire por la leva de perfil variable y la válvula de mariposa del gas.

El ángulo de rotación del servomotor es igual al ángulo del sector graduado de la válvula de mariposa del gas. El servomotor gira 90° en 12 segundos.

No modificar la regulación efectuada en fábrica de las 4 levas con que va dotado; verificar simplemente que las levas estén reguladas del siguiente modo:

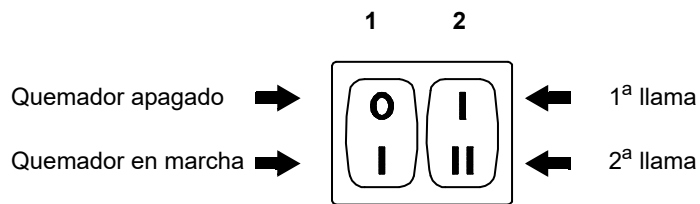
- Leva St2 : 90°**
Limita la rotación máxima. Con el quemador funcionando en 2.ª llama, la válvula de mariposa del gas debe estar completamente abierta: 90°.
- Leva St0 : 0°**
Limita la rotación hacia el mínimo. Con el quemador parado, el registro de aire y la válvula de mariposa del gas deben estar cerrados: 0°.
- Leva St1 : 15°**
Regula la posición de encendido y potencia en 1.ª llama.
- Leva MV : no utilizada**

PUESTA EN MARCHA DEL QUEMADOR

- Cerrar los termostatos y poner:
- el interruptor 1)(E) en la posición "Quemador en marcha";
 - el interruptor 2)(E) en la posición "1ª llama".
Tan pronto se pone en marcha el quemador, controlar el sentido de giro de la turbina del ventilador a través del visor de llama 18)(A)p.3. Verificar que las lámparas o el tester conectados a las electroválvulas, o las luces piloto de las propias electroválvulas, indiquen ausencia de tensión. Si señalan que hay tensión, parar **inmediatamente** el quemador y comprobar las conexiones eléctricas.

ENCENDIDO DEL QUEMADOR

Después de haber efectuado las operaciones descritas en el apartado anterior, el quemador debe de encenderse. Si el motor arranca pero no aparece llama y la caja de control se bloquea, rearmarla y efectuar un nuevo intento de puesta en marcha.
Si el encendido sigue sin producirse, puede ser debido a que el gas no llega al cabezal de combustión en el tiempo de seguridad de 3 segundos. En tal caso, aumentar el caudal de gas en el encendido.
La llegada de gas al quemador puede observarse en el manómetro (C). Una vez efectuado el encendido, se procederá a la regulación completa del quemador.



(A)

D469

REGULACIÓN DEL QUEMADOR

Para lograr una regulación óptima del quemador, es necesario efectuar un análisis de los gases de combustión en la base de la chimenea.

Hay que regular en secuencia:

- 1 - Potencia de encendido
- 2 - Potencia del quemador en 2.^a llama
- 3 - Potencia del quemador en 1.^a llama
- 4 - Potencia intermedia
- 5 - Presostato aire
- 6 - Presostato gas de mínima



Antes la primera puesta en funcionamiento del quemador, consulte el párrafo "Prueba de seguridad - con alimentación gas cerrada" en la pág. 14.

1 - POTENCIA DE ENCENDIDO

Según norma EN 676.

Quemadores con potencia MÁX hasta 120 kW

El encendido puede efectuarse a la potencia máxima de funcionamiento. Ejemplo:

- potencia máxima de funcionamiento: 120 kW
- potencia máxima de encendido: 120 kW

Quemadores con potencia MÁX superior a 120 kW

El encendido debe efectuarse a una potencia reducida respecto a la potencia máxima de funcionamiento.

Si la potencia de encendido no supera los 120 kW, no es necesario hacer ningún cálculo. En cambio, si la potencia supera los 120 kW, la norma establece que su valor sea definido en función del tiempo de seguridad "ts" de la caja de control:

- para "ts" = 2s. La potencia de encendido debe ser igual o inferior a 1/2 de la potencia máxima de funcionamiento;
- para "ts" = 3s. La potencia de encendido debe ser igual o inferior a 1/3 de la potencia máxima de funcionamiento.

Ejemplo: Potencia MÁX de funcionamiento 600 kW. La potencia de encendido debe ser igual o inferior a:

- 300 kW con ts = 2s
- 200 kW con ts = 3s

Para medir la potencia de encendido:

- Desconectar el conector macho-hembra 23)(A)p.3 del cable de la sonda de ionización (el quemador se enciende y se bloquea pasado el tiempo de seguridad).
- Efectuar 10 encendidos con bloqueos consecutivos.
- Leer en el contador la cantidad de gas consumido.

Esta cantidad debe ser igual o inferior a la dada por la fórmula, para ts = 3s

$$Vg = \frac{Qa}{3600} \text{ (caudal máx. quemador) } \times n \times ts$$

3600

Vg: volumen erogado en los encendidos realizados (Sm³)

Qa: caudal de encendido (Sm³/h)

n: número de encendidos (10)

ts: tiempo de seguridad (seg.)

Ejemplo para gas G 20 (9,45 kWh/Sm³):

Potencia de encendido 400 kW

correspondientes a 47,6 Nm³/h.

Después de 10 encendidos con bloqueo, el caudal de gas medido en el contador debe ser igual o inferior a:

$$Vg = \frac{47,6 \times 10 \times 3}{3600} = 0,397 \text{ Sm}^3$$

3600

2 - POTENCIA EN 2.^a LLAMA

La potencia en 2.^a llama se elige dentro del campo de trabajo que se indica en la pág. 4.

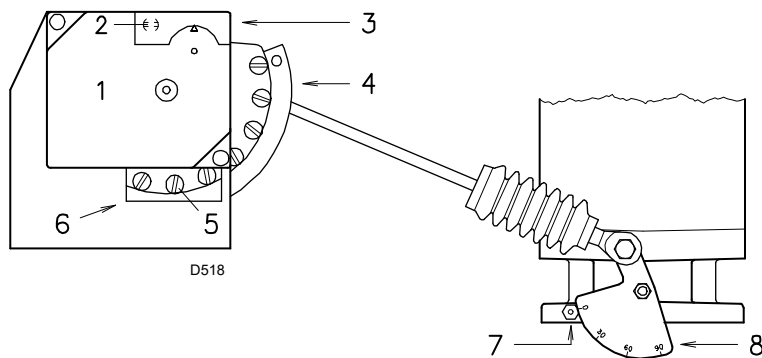
En la descripción anterior, el quemador estaba encendido en 1.^a llama. Situar ahora el interruptor 2)(A) en posición "2.^a llama" y: el servomotor abrirá el registro del aire y, al mismo tiempo, la válvula de mariposa del gas a 90°.

Regulación del gas

Medir el caudal de gas en el contador.

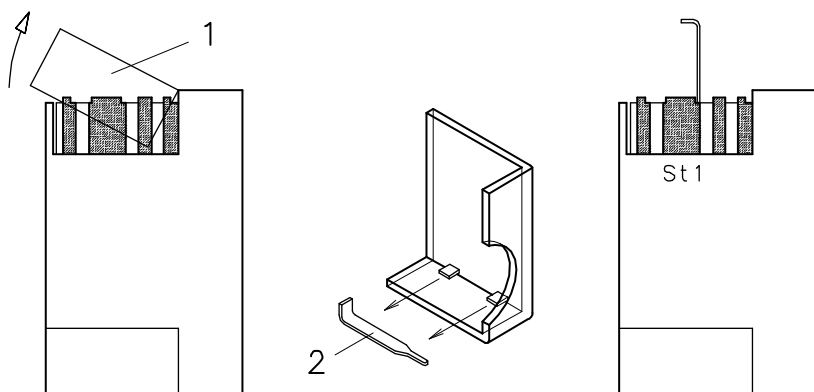
A título orientativo, puede determinarse mediante las tablas de la pág. 5, mirando la presión del gas en el manómetro, ver fig. (C) en pág. 9, y siguiendo las indicaciones de la pág. 5.

- Si es necesario reducirlo, disminuir la presión del gas a la salida y, si ya está al mínimo, cerrar un poco la válvula de regulación VR.
- Si es necesario aumentarla, incrementar la presión de gas a la salida del regulador.



- 1 Servomotor
- 2 \ominus Bloqueo / \oplus Desbloqueo leva 4
- 3 Tapa levas
- 4 Leva de perfil variable
- 5 Tornillos regulación perfil variable
- 6 Abertura acceso tornillos 5
- 7 Índice del sector graduado 8
- 8 Sector graduado válvula de mariposa gas

(A)



(B)

D520

Regulación del aire

Variar progresivamente el perfil final de la leva 4)(A), actuando sobre los tornillos de la leva que aparecen en el interior de la abertura 6)(A).

- Para aumentar el caudal de aire, enroscar los tornillos.
- Para disminuir el caudal de aire, desenroscar los tornillos.

3 - POTENCIA EN 1.ª LLAMA

La potencia en 1ª llama se elige dentro del campo de trabajo que se indica en la pág. 4.

Pulsar el interruptor 2)(A)p.10 en posición "1ª llama": el servomotor 1)(A) cerrará el registro del aire, y al mismo tiempo, el de mariposa situándolo a 15°, que es la regulación efectuada en fábrica.

Regulación del gas

Medir el caudal de gas en el contador.

- Si se desea disminuirlo, reducir un poco el ángulo de la leva St1 (B) mediante cortos desplazamientos sucesivos, es decir, pasando del ángulo de 15° a 13° - 11°...
- Si se desea aumentarlo, pasar a 2ª llama pulsando el interruptor 2)(A)p.10 en posición "2ª llama" y aumentar un poco el ángulo de la leva St1 (B) mediante cortos desplazamientos sucesivos, es decir, pasando del ángulo de 15° a 17° - 19°....

Seguidamente retornar a 1.ª llama y medir el caudal de gas.

NOTA

El servomotor sigue la regulación de la leva St1 sólo cuando se reduce el ángulo de la misma. Si se tiene que aumentar el ángulo de la leva, es necesario pasar a 2.ª llama, aumentar el ángulo y retornar a 1.ª llama para verificar el efecto de la regulación.

Si el ángulo de St1 aumenta en 1.a llama, se produce el paro del quemador.

Para el reglaje eventual de la leva St1, extraer la tapa 1), sujeta a presión, como se indica en la fig. (B), sacar la chaveta 2) situada en el interior e introducirla en el encaje de la leva St1.

Regulación del aire

Variar progresivamente el perfil inicial de la leva 4)(A), actuando sobre los tornillos de la leva que aparecen en el interior de la abertura 6)(A). Si es posible, no girar el primer tornillo, dado que es el que se utiliza para cerrar el registro del aire completamente.

4 - POTENCIAS INTERMEDIAS

Regulación del gas

No es necesaria ninguna regulación.

Regulación del aire

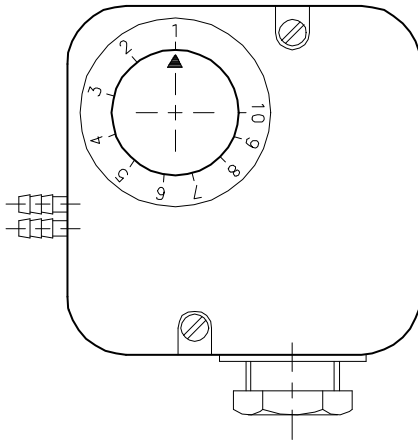
Parar el quemador actuando sobre el interruptor 1)(A)p.10, desbloquear la leva de perfil variable situando la entalla 2)(A) en posición vertical y actuar sobre los tornillos intermedios de la guía de manera que la pendiente sea progresiva. Probar varias veces girando hacia delante y hacia atrás: el movimiento debe ser suave sin brusquedades.

No tocar los tornillos extremos que ya se han utilizado para regular el registro del aire en 1ª y 2ª llama.

NOTA

Una vez terminada la regulación de las potencias 2ª llama - 1ª llama - intermedias, volver a verificar el encendido: debe producirse un ruido parecido al de funcionamiento sucesivo. Si se observan pulsaciones, reducir el caudal de encendido.

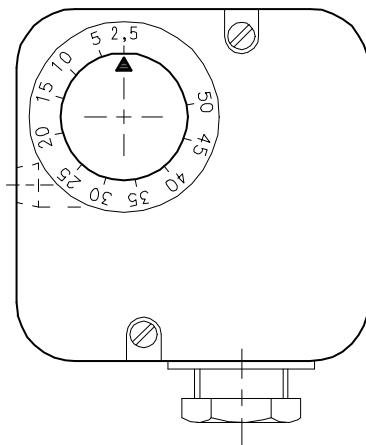
PRESOSTATO DE AIRE 5)(A)p.3



(A)

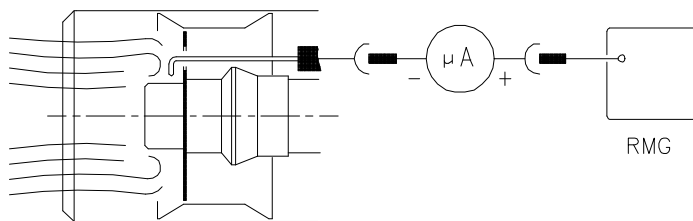
D521

PRESOSTATO GAS DE MÍNIMA 6)(B)p.8



(B)

D896



(C)

D3023

5 - PRESOSTATO AIRE (A)

Efectuar la regulación del presostato de aire, después de haber efectuado todas las demás regulaciones del quemador, con el presostato de aire ajustado al inicio de la escala (A).

Con el quemador funcionando en 1.^a llama, aumentar la presión de regulación girando lentamente (en sentido horario) el botón que se facilita a tal efecto, hasta que se bloquee el quemador.

Luego girar el pomo en sentido antihorario hasta un valor igual a aproximadamente el 20% del valor regulado y controlar a continuación el correcto arranque del quemador.

Si el quemador se bloquea de nuevo, girar el botón un poco más, en sentido contrario a las agujas del reloj.

Atención: por norma, el presostato de aire debe impedir que el CO en los humos sea superior al 1% (10.000 p.p.m.).

Para comprobarlo, introducir un analizador de CO en la chimenea, cerrar lentamente la boca de aspiración del ventilador (p.ej. con un cartón) y verificar que el quemador se bloquee antes de que el CO en los humos supere el 1%.

El presostato aire instalado puede funcionar de manera "diferencial" si se conecta con dos tubos. Si una fuerte depresión en la cámara de combustión, en la fase de preventilación, no permite que el presostato aire conmute, la conmutación se puede obtener aplicando un segundo tubo entre el presostato aire y la boca de aspiración del ventilador. De esta manera el presostato funcionará como presostato diferencial.

Atención: el uso del presostato de aire con funcionamiento diferencial sólo se permite en aplicaciones industriales y donde las normas permitan que el presostato de aire controle sólo el funcionamiento del ventilador, sin límite de referencia por lo que respecta al CO.

6 - PRESOSTATO GAS DE MÍNIMA (B)

Efectuar la regulación del presostato de gas de mínima después de haber efectuado todas las regulaciones del quemador, con el presostato ajustado al inicio de la escala (B).

Con el quemador funcionando en 2.^a llama, aumentar la presión de regulación girando lentamente (en sentido horario) el botón que se facilita a tal efecto, hasta que se pare el quemador.

A continuación, girar dicho botón (en sentido contrario a las agujas del reloj) 0,2 kPa (2 mbar) y repetir el arranque del quemador para verificar la regularidad de funcionamiento.

Si el quemador se para de nuevo, girar el botón (en sentido contrario a las agujas del reloj) 0,1 kPa (1 mbar).

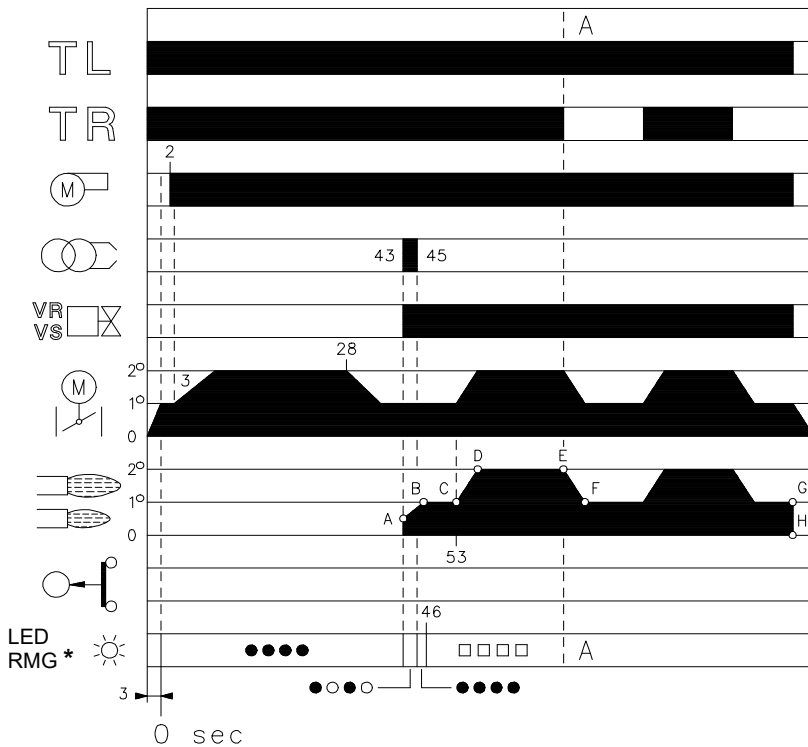


1 kPa = 10 mbar

CONTROL PRESENCIA LLAMA (C)

El quemador está dotado de un sistema de ionización para controlar la presencia de la llama. La corriente mínima para el funcionamiento de la caja de control es de 5 μ A. El quemador genera una corriente netamente superior, no precisando normalmente ningún control. Sin embargo, si se desea medir la corriente de ionización, es preciso desenchufar el conector 23)(A)p.3 del cable de la sonda de ionización y conectar un microamperímetro de corriente continua de una baja escala de 100 μ A. Atención a la polaridad.

ENCENDIDO REGULAR
(n° = segundos desde el instante 0)

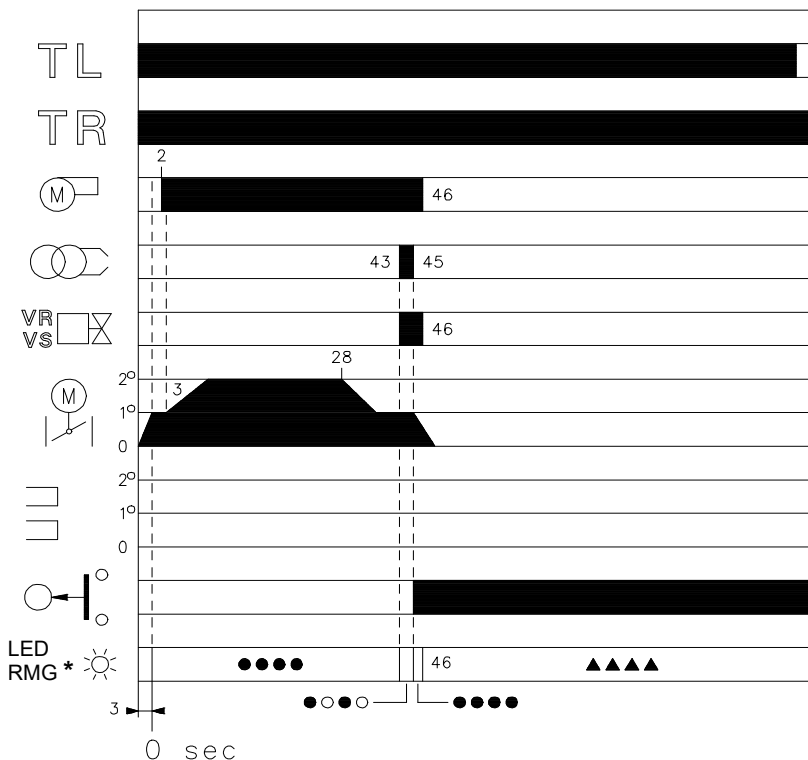


* ○ Apagado ● Amarillo □ Verde ▲ Rojo
Para mayores informaciones, véase la pág. 16.

(A)

D3028

FALTA DE ENCENDIDO



* ○ Apagado ● Amarillo ▲ Rojo
Para mayores informaciones, véase la pág. 16.

(B)

D3029

FUNCIONAMIENTO DEL QUEMADOR

PUESTA EN MARCHA DEL QUEMADOR (A)

- : Se cierra el termostato TL.
Se pone en marcha el servomotor: gira hacia la derecha hasta llegar al ángulo escogido con la leva St1. Después de alrededor de 3 s:
- 0 s : Inicia el programa la caja de control.
- 2 s : Se pone en marcha el motor ventilador.
- 3 s : Se pone en marcha el servomotor: gira hacia la derecha hasta llegar a la actuación de la leva St2. El registro del aire se sitúa en la posición de potencia de 2ª llama. Fase de prebarrido, con el caudal de aire de la potencia de 2ª llama. Duración: 25 segundos.
- 28 s : Se pone en marcha el servomotor: gira hacia la izquierda hasta llegar al ángulo escogido con la leva St1.
- 43 s : El registro del aire y la válvula de mariposa del gas se sitúan en la posición de potencia de 1.ª llama. Se genera chispa en el electrodo de encendido. Se abren las electroválvulas de seguridad VS y de regulación VR (apertura rápida). Se enciende la llama, con poca potencia, punto A. Sigue un progresivo aumento de la potencia, apertura lenta de la electroválvula VR, hasta llegar a la potencia de 1.ª llama, punto B.
- 45 s : Cesa la chispa.
- 53 s : Si el termostato TR está cerrado o sustituido por un puente, el servomotor gira hasta llegar a la actuación de la leva St2; colocando el registro del aire y el de mariposa del gas en posición de 2.ª llama, trazo C-D. Finaliza el ciclo de puesta en marcha de la caja de control.

FUNCIONAMIENTO EN RÉGIMEN (A)

Instalación provista de un telemando TR

Finalizado el ciclo de puesta en marcha, el mando del servomotor pasa al termostato TR, que controla la presión o la temperatura de la caldera, punto D.

(La caja de control sigue controlando la presencia de llama y la correcta posición del presostato del aire).

- Cuando la temperatura aumenta hasta la apertura del termostato TR, el servomotor cierra el registro mariposa del gas y el del aire pasando el quemador de 2.ª a 1.ª llama (trazo E-F).
- Cuando la temperatura disminuye hasta el cierre del termostato TR, el servomotor cierra el registro mariposa del gas y el del aire pasando el quemador de 1.ª a 2.ª llama. Y así sucesivamente.
- El paro del quemador se produce cuando la demanda de calor es inferior a la generada por el quemador en 1.ª llama (trazo G-H). El termostato TL se abre, el servomotor regresa al ángulo 0°, limitado por el contacto de la leva St0. El registro se cierra completamente para reducir las pérdidas de calor al mínimo.

Instalación sin termostato TR, sustituido por un puente

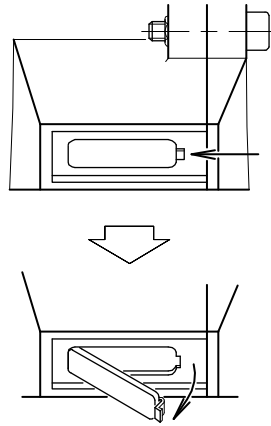
La puesta en marcha del quemador es del modo indicado con anterioridad. Sucesivamente, si la temperatura aumenta hasta la apertura del termostato TL, el quemador se apaga (trazo A-A del gráfico).

FALTA DE ENCENDIDO (B)

Si el quemador no se enciende, se produce el bloqueo del mismo a los 3 segundos de la apertura de la válvula de gas y a los 49 segundos del cierre del termostato TL. El LED rojo de la caja de control se enciende.

APAGADO DE LA LLAMA DURANTE EL FUNCIONAMIENTO

Si la llama se apaga accidentalmente durante el funcionamiento, el quemador se bloquea en 1 segundo.



(A)

D484

CONTROLES FINALES (con el quemador en funcionamiento)

- Desconecte un cable del presostato de gas de mínima.
- Abra el termostato/presostato TL.
- Abra el I termostato/presostato TS:

El quemador debe pararse

- Desconecte el tubo de aducción aire al presostato.
- Desconectar el hilo de la sonda de ionización: el quemador debe bloquearse.
- Comprobar que los bloqueos mecánicos de los dispositivos de regulación estén bien apretados.

MANTENIMIENTO

El quemador precisa un mantenimiento periódico que debe ser ejecutado por personal especializado **y de conformidad con las leyes y normativas locales.**

El mantenimiento periódico es fundamental para un buen funcionamiento del quemador; y evita asimismo los consumos de combustible excesivos y, por lo tanto, la emisión de agentes contaminantes.

Antes de realizar cualquier operación de limpieza o control, apague la alimentación eléctrica del quemador utilizando el interruptor principal del sistema.

Combustión

Efectuar el análisis de los gases de combustión que salen de la caldera. Las diferencias significativas respecto al último análisis indicarán los puntos donde deberán centrarse las operaciones de mantenimiento.

Fugas de gas

Comprobar que no haya fugas de gas en el conducto contador-quemador.

Filtro de gas

Sustituir el cartucho filtrante cuando esté sucio.

Visor llama

Limpiar el cristal del visor llama (A).

Cabezal de combustión

Abrir el quemador y verificar que todas las partes del cabezal de combustión estén intactas, no estén deformadas por las altas temperaturas, no tengan suciedad proveniente del ambiente y estén correctamente posicionadas. En caso de duda, desmonte el codo.

Servomotor

Desvincule la leva 4)(A)p.11 del servomotor, girando 90° la ranura 2)(A)p.11 y controle manualmente que su rotación, hacia adelante y hacia atrás, sea correcta y ágil. Bloquear de nuevo la leva 4)(A)p.11.

Quemador

Verificar que no haya un desgaste anormal o tornillos flojos en los mecanismos que controlan el registro del aire y la válvula de mariposa del gas. Así, también los tornillos que fijan los cables en la regleta de conexiones del quemador deben estar bloqueados.

Limpiar exteriormente el quemador, en particular las rótulas y la leva 4)(A)p.11.

Combustión

Regular el quemador si los valores de la combustión obtenidos al inicio de la intervención no cumplen las Normas en vigor o no corresponden a una buena combustión.

Anotar en una ficha de control los nuevos valores de la combustión; serán útiles para controles sucesivos.

COMPONENTE DE SEGURIDAD	CICLO DE VIDA
Control llama	10 años o 250.000 ciclos de funcionamiento
Sensor llama	10 años o 250.000 ciclos de funcionamiento
Válvulas gas (tipo solenoide)	10 años o 250.000 ciclos de funcionamiento
Presostatos	10 años o 250.000 ciclos de funcionamiento
Regulador de presión	15 años
Servomotor (leva electrónica) (se la hay)	10 años o 250.000 ciclos de funcionamiento
Válvula aceite (tipo solenoide) (si la hay)	10 años o 250.000 ciclos de funcionamiento
Regulador aceite (si lo hay)	10 años o 250.000 ciclos de funcionamiento
Tubos/ racores aceite (metálicos) (si los hay)	10 años
Tubos flexibles (si los hay)	5 años o 30.000 ciclos de presión
Turbina ventilador	10 años o 500.000 arranques

(A)

PRUEBA DE SEGURIDAD – CON ALIMENTACIÓN GAS CERRADA

Para la puesta en funcionamiento en condiciones de seguridad es muy importante comprobar la correcta ejecución de las conexiones eléctricas entre las válvulas del gas y el quemador.

Para ello, después de haber comprobado que las conexiones han sido realizadas en conformidad con los esquemas eléctricos del quemador, se debe realizar un ciclo de encendido con el grifo gas cerrado (dry test).

- 1 La válvula manual del gas debe estar cerrada con dispositivo de bloqueo/desbloqueo (Procedimiento "lock out/tag out").
- 2 Asegurar el cierre de los contactos eléctricos límite del quemador
- 3 Asegurar el cierre del contacto del presostato gas mínimo
- 4 Efectuar una tentativa de encendido del quemador

El ciclo de encendido se deberá realizar según las siguientes fases:

- Encendido del motor del ventilador para la pre-ventilación
- Ejecución del control de estanqueidad válvulas gas, si está previsto.
- Completamiento de la pre-ventilación
- Alcance del punto de encendido
- Alimentación del transformador de encendido
- Alimentación de las válvulas del gas.

Con el gas cerrado, el quemador no podrá encenderse y su caja de control se posicionará en condición de parada o bloqueo de seguridad.

La alimentación efectiva de las válvulas del gas se podrá comprobar con la introducción de un multímetro; algunas válvulas están dotadas de señales luminosas (o indicadores de posición cierre/apertura) que se activan en el momento de su alimentación eléctrica.

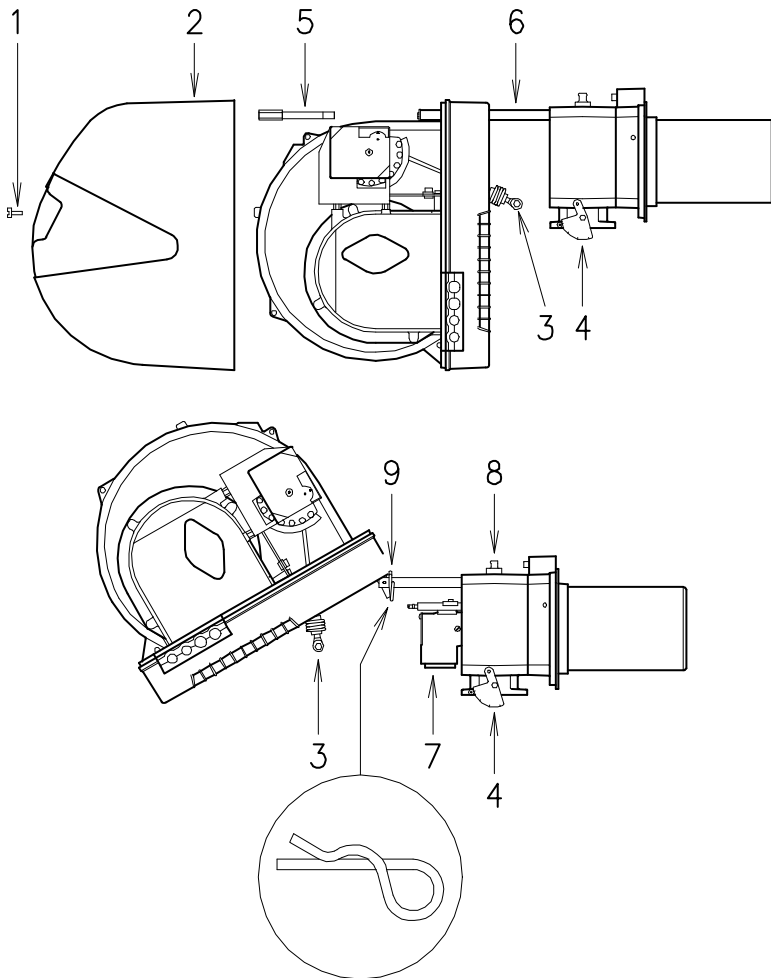
EN CASO DE QUE LA ALIMENTACIÓN ELÉCTRICA DE LAS VÁLVULAS DEL GAS SE PRODUZCA EN MOMENTOS NO PREVISTOS, NO ABRIR LA VÁLVULA MANUAL, INTERRUMPIR LA ALIMENTACIÓN ELÉCTRICA, COMPROBAR LOS CABLEADOS; CORREGIR LOS ERRORES Y REALIZAR NUEVAMENTE TODA LA PRUEBA.



PRECAUCIONES DE SEGURIDAD

Los componentes de seguridad se deben sustituir según la finalización del ciclo de vida indicado en la tabla (A). Los ciclos de vida especificados no se refieren a los términos de garantía indicados en las condiciones de entrega o de pago.

APERTURA DEL QUEMADOR



PARA ABRIR EL QUEMADOR (A):

- Cortar la tensión.
- Quitar el tornillo 1) y extraer la cubierta 2).
- Soltar la rótula 3) del sector graduado 4).
- Retire el tornillo 5) y el pasador 9) y retire hacia atrás el quemador sobre las guías 6) unos 100 mm. Desconecte los cables de sonda y electrodo y después eche hacia atrás todo el quemador.
- Girarlo como se aprecia en la figura e introducir en el orificio de una de las dos guías el pasador 9), de modo que el quemador permanezca en esta posición.

En este punto es posible extraer el distribuidor de gas 7), después de haber desenroscado el tornillo 8).

PARA CERRAR EL QUEMADOR (A):

- Quitar el pasador 9) y empujar el quemador hasta que esté a unos 100 mm del soporte quemador.
- Volver a conectar los cables y desplazar el quemador hasta que haga tope.
- Volver a colocar el tornillo 5) y el pasador 9) y, con cuidado, tirar de los cables de la sonda y del electrodo hacia afuera, hasta someterlos a una ligera tensión.
- Volver a enganchar la rótula 3) en el sector graduado 4).

(A)

D535

DIAGNOSIS PROGRAMA DE ARRANQUE

Durante el programa de puesta en marcha, en la siguiente tabla se indican las explicaciones:

TABLA CÓDIGO COLOR	
Secuencias	Código color
Preventilación	● ● ● ● ● ● ● ● ● ●
Fase de encendido	● ○ ● ○ ● ○ ● ○ ●
Funcionamiento con llama ok	□ □ □ □ □ □ □ □ □ □
Funcionamiento con señal de llama débil	□ ○ □ ○ □ ○ □ ○ □
Alimentación eléctrica inferior a ~ 170V	● ▲ ● ▲ ● ▲ ● ▲ ●
Bloqueo	▲ ▲ ▲ ▲ ▲ ▲ ▲ ▲ ▲
Luz extraña	▲ □ ▲ □ ▲ □ ▲ □ ▲
Legenda:	○ Apagado ● Amarillo □ Verde ▲ Rojo



ATENCIÓN

En caso de parada del quemador, para evitar daños en la instalación, no desbloquear el quemador más de dos veces seguidas. Si el quemador se bloquea por tercera vez, contactar con el servicio de asistencia.



PELIGRO

Si se produjeran otros bloqueos o anomalías en el quemador, las intervenciones deben ser realizadas únicamente por personal habilitado y autorizado, de acuerdo a lo indicado en este manual y en conformidad con las normas y disposiciones de ley vigentes.

DESBLOQUEO DE LA CAJA DE CONTROL Y USO DIAGNOSIS

La caja de control suministrada tiene una función de diagnóstico con la que es posible individualizar fácilmente las posibles causas de un problema de funcionamiento (señalización: **DIODO ELECTROLUMINISCENTE (LED) ROJO**).

Para utilizar tal función, hay que esperar por lo menos 10 segundos desde el instante de la puesta en seguridad (**bloqueo**) y apretar después el botón de desbloqueo.

La caja de control genera una secuencia de impulsos (cada 1 segundo) que se repite a intervalos constantes de 3 segundos.

Una vez visualizado el número de parpadeos e identificada la posible causa, hay que restablecer el sistema, manteniendo apretado el botón durante un tiempo comprendido entre 1 y 3 segundos.

Diodo Electroluminiscente (LED)

ROJO encendido

esperar por lo menos 10s

Bloqueo

Pulsar desbloqueo

durante > 3s

Impulsos

Intervalo

3s

Impulsos

			● ● ● ● ●		● ● ● ● ●
--	--	--	-----------	--	-----------

A continuación se mencionan los métodos posibles para desbloquear la caja de control y para usar el diagnóstico.

DESBLOQUEO DE LA CAJA DE CONTROL

Para desbloquear la caja de control proceder de la siguiente manera:

- Apretar el botón durante un tiempo comprendido entre 1 y 3 segundos.

El quemador arranca después de 2 segundos de haber soltado el botón.

Si el quemador no arranca, hay que controlar el cierre del termostato límite.

DIAGNÓSTICO VISUAL

Indica el tipo de desperfecto del quemador que produce el bloqueo.

Para visualizar la diagnosis, proceder de la siguiente manera:

- Mantener apretado el botón durante más de 3 segundos desde la condición de led rojo fijo (bloqueo quemador).

El final de la operación será indicado por un parpadeo amarillo.

Suelte el botón cuando se produzca dicho parpadeo. El número de destellos indica la causa del mal funcionamiento según la codificación indicada en la tabla de la pág. 18.

DIAGNÓSTICO SOFTWARE

Suministra el análisis de la vida del quemador mediante una conexión óptica al PC, indicando las horas de funcionamiento, número y tipos de bloqueos, número de serie de la caja de control, etc.

Para visualizar la diagnosis, proceder de la siguiente manera:

- Mantenga apretado el botón durante más de 3 segundos desde el momento en que el led rojo se encendió (bloqueo del quemador).

El final de la operación será indicado por un parpadeo amarillo.

Suelte el botón durante 1 segundo y luego oprímalo de nuevo durante más de 3 segundos hasta que se produzca otro parpadeo amarillo.

Al soltar el botón, el led rojo parpadeará intermitentemente con una frecuencia elevada: sólo en este momento se podrá conectar la conexión óptica.

Al concluir la operación hay que restablecer las condiciones iniciales de la caja de control, siguiendo los pasos de desbloqueo antedichos.

PRESIÓN DEL BOTÓN	ESTADO DE LA CAJA DE CONTROL
De 1 a 3 segundos	Desbloqueo de la caja de control sin visualización del diagnóstico visual.
Más de 3 segundos	Diagnóstico visual de la condición de bloqueo: (el led parpadea cada 1 segundo).
Más de 3 segundos desde la condición de diagnóstico visual	Diagnóstico software mediante la ayuda de la interfaz óptica y PC (posibilidad de visualizar las horas de funcionamiento, desperfectos, etc.)

La secuencia de los impulsos emitidos por la caja de control identifica las posibles tipologías de averías listadas en la tabla de la pág. 18.

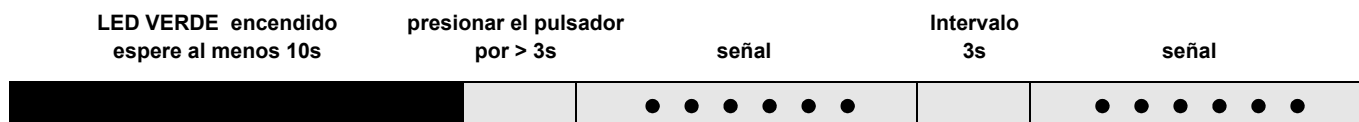
Señal	Anomalia	Causa probable	Solución
2 parpadeos ● ●	Superada la pre-ventilación y el tiempo de seguridad, el quemador se bloquea sin aparecer la llama	1 - La electroválvula de funcionamiento deja pasar poco gas 2 - Una de las dos electroválvulas no se abre. 3 - Presión gas demasiado baja 4 - Electrodo de encendido mal regulado 5 - Electrodo a masa para aislante roto 6 - Cable de alta tensión defectuoso. 7 - Cable de alta tensión deformado por la alta temperatura 8 - Transformador de encendido defectuoso 9 - Conexiones eléctricas válvulas o transformador de encendido incorrectas 10 - Caja de control defectuosa 11 - Una válvula antes de la rampa de gas, cerrada 12 - Aire en las tuberías 13 - Válvulas de gas no conectadas o con bobina interrumpida	Aumentarlo Sustituirlas Aumentarla en el regulador Regularlo; ver fig. (D) pág. 6 Sustituirlo Sustituirlo Sustituirlo y protegerlo Sustituirlo Comprobarlas Sustituirla Abrirla Purgarlo Verificar las conexiones o sustituir bobina
3 parpadeos ● ● ●	El quemador no arranca y aparece el bloqueo El quemador arranca y luego se bloquea Bloqueo durante la pre-ventilación	14 - Presostato aire en posición de funcionamiento - El presostato aire no conmuta por presión aire insuficiente: 15 - Presostato de aire mal regulado 16 - Tubo toma presión del presostato obstruido 17 - Cabezal mal regulado 18 - Alta depresión en el hogar 19 - Contactor mando motor defectuoso. (sólo versión trifásica) 20 - Motor eléctrico defectuoso. 21 - Bloqueo motor (sólo versión trifásica)	Regularlo o sustituirlo Regularlo o sustituirlo Limpiarlo Regularlo Conectar presostato aire a la aspiración ventilador Sustituirlo Sustituirlo Sustituirlo
4 parpadeos ● ● ● ●	El quemador arranca y luego se bloquea Bloqueo al pararse del quemador	22 - Simulación de llama. 23 - Hay llama en el cabezal de combustión o simulación de llama	Sustituir la caja de control Eliminar permanencia de llama o sustituir caja de control
6 parpadeos ● ● ● ● ● ●	El quemador arranca y luego se bloquea	24 - Servomotor defectuoso o mal regulado	Regularlo o sustituirlo
7 parpadeos ● ● ● ● ● ● ●	El quemador se bloquea al aparecer la llama Bloqueo del quemador con el paso de 1° a 2° llama o de 2° a 1° llama En funcionamiento, el quemador se bloquea	25 - La electroválvula de funcionamiento deja pasar poco gas 26 - Sonda de ionización mal regulada. 27 - Ionización insuficiente (inferior a 5 A) 28 - Sonda a masa 29 - Insuficiente puesta a tierra del quemador 30 - Fase y neutro invertidos. 31 - Avería del circuito de detección llama 32 - Demasiado aire o poco gas 33 - Sonda o cable ionización a masa	Aumentarlo Regularla, ver fig. (D) pág. 6 Controlar posición sonda Separarla o sustituir cable Revisar la puesta a tierra Invertir Sustituir la caja de control Regular el aire y el gas Sustituir la(s) pieza(s) deteriorada(s)
10 parpadeos ● ● ● ● ● ● ● ●	El quemador no arranca y aparece el bloqueo El quemador se bloquea	34 - Conexiones eléctricas incorrectas 35 - Caja de control defectuosa 36 - Presencia de perturbaciones electromagnéticas en las líneas de termostatos 37 - Presencia de perturbaciones electromagnéticas	Comprobarlas Sustituirla Filtrarlas o eliminarlas Utilizar el kit protección contra las interferencias radio
Ningún parpadeo	El quemador no arranca El quemador repite el ciclo de arranque sin bloquearse Encendidos con pulsaciones El quemador no pasa a la 2° llama El quemador se detiene con el registro de aire abierto	38 - Falta tensión eléctrica 39 - Un telemando de límite o de seguridad abierto 40 - Fusible de línea fundido. 41 - Caja de control defectuosa 42 - Falta de gas 43 - Presión gas en red insuficiente 44 - El presostato gas de mínima no cierra 45 - Servomotor no va a la posición de mín. encendido. 46 - La presión del gas en red es cercana al valor con el cual se ha regulado el presostato gas de mín. La disminución repentina de presión que sigue a la apertura de la válvula, provoca la apertura temporal de presostato, inmediatamente la válvula se cierra y se detiene el quemador. La presión vuelve a aumentar, el presostato se cierra y hace que se repita el ciclo de arranque. Y así sucesivamente. 47 - Cabezal mal regulado 48 - Electrodo de encendido mal regulado 49 - Registro ventilador mal regulado, demasiado aire. 50 - Potencia de encendido demasiado elevada 51 - Telemando TR no cierra. 52 - Caja de control defectuosa 53 - Servomotor defectuoso 54 - Servomotor defectuoso	Cerrar interruptores; comprobar conexiones Regularlo o sustituirlo Sustituirlo Sustituirla Abrir válvulas manuales entre contador y rampa Contacte con la COMPAÑÍA DE GAS Regularlo o sustituirlo Sustituirlo Reducir la presión de intervención del presostato gas de mínima. Sustituir el cartucho del filtro gas. Regular. Ver pág. 7 Regularlo; ver fig. (D) pág. 6 Regularlo Reducirla Regularlo o sustituirlo Sustituirla Sustituirlo Sustituirlo

FUNCIONAMIENTO NORMAL / TIEMPO DE DETECCIÓN LLAMA

La caja de control tiene una función ulterior mediante la que es posible asegurarse del correcto funcionamiento del quemador (señal: **LED VERDE** permanentemente encendido).

Para utilizar tal función, hay que esperar al menos 10 segundos desde el instante de encendido del quemador y presionar el pulsador de la caja de control durante un tiempo mínimo de 3 segundos.

Después de haber soltado el pulsador, el LED VERDE comenzará a parpadear, como ilustra la siguiente imagen.



Los parpadeos del LED aparecen con intervalos de aproximadamente 3 segundos.

El número de parpadeos determinará el TIEMPO DE DETECCIÓN de la sonda desde la apertura de las válvulas gas, según la siguiente tabla.

SEÑAL	TIEMPO DE DETECCIÓN LLAMA
1 parpadeo ●	0.4 s
2 parpadeos ● ●	0.8 s
6 parpadeos ● ● ● ● ● ●	2.8 s

A cada arranque del quemador, se actualiza este dato.

Una vez realizada la lectura, apretando brevemente el pulsador de la caja de control, el quemador repite el ciclo de arranque.

ATENCIÓN

Si resulta un tiempo > 2 s se tiene el encendido retrasado. Controle la regulación del freno hidráulico en la válvula gas y la regulación registro de aire y cabezal de combustión.

ACCESORIOS (bajo pedido):

• KIT PROTECCIÓN CONTRA LAS INTERFERENCIAS RADIO

En caso de instalar el quemador en ambientes especiales expuestos a interferencias radio (emisión de señales de más de 10 V/m) debido a la presencia de INVERTER o en aplicaciones donde las conexiones del termostato superan los 20 metros de longitud, se encuentra disponible un kit de protección como interfaz entre la caja de control y el quemador.

QUEMADOR	RS 64 MZ
	Código 3010386

• **KIT PARA FUNCIONAMIENTO CON GLP:** el kit permite que el quemador RS 64 MZ quemé GPL.

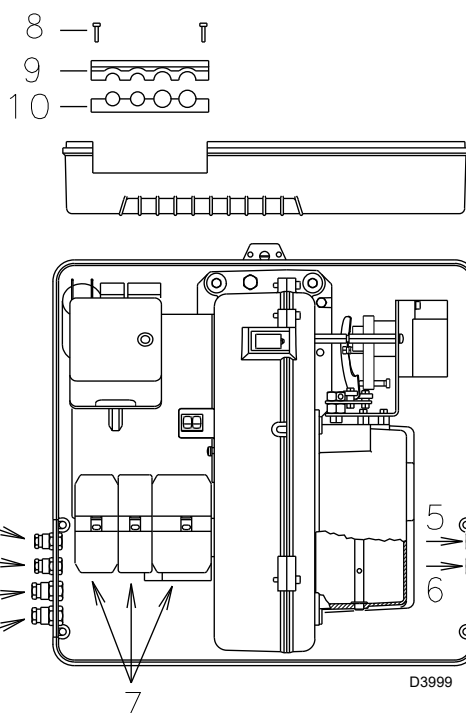
Potencia kW	400 - 920	
Longitud tubo llama mm	250	385
	Código 3010434	Código 3010435

• KIT CABEZAL LARGO	Código 3010427
• KIT CONTACTOS PULIDOS	Código 3010419
• INTERRUPTOR DIFERENCIAL	Código 3010321
• KIT INTERFACE ADAPTER RMG TO PC	Código 3002719

• **RAMPAS DE GAS QUE DEBEN COMBINARSE CON EL QUEMADOR SEGÚN LA NORMA EN 676 (con válvulas, regulador de presión y filtro):** ver en pág. 8.

NOTA: El instalador es responsable de la eventual incorporación de dispositivos de seguridad no previstos en este manual.

APÉNDICE



Conexiones eléctricas



NOTA

Las conexiones eléctricas se deben realizar según las normas vigentes en el país de destino y por parte de personal cualificado.

Riello S.p.A. declina toda responsabilidad por modificaciones o conexiones diferentes de aquellos representados en estos esquemas.

Utilizar cables flexibles según norma EN 60 335-1.

Todos los cables que se conecten al quemador deben pasar por los pasacables.

El uso de los pasacables se puede realizar de formas diferentes; a modo de ejemplo, indicamos la forma siguiente:

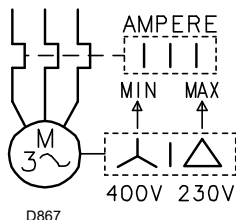
- 1- Pg 11 Alimentación trifásica
- 2- Pg 11 Alimentación monofásica
- 3- Pg 9 Termostato TL
- 4- Pg 9 Telemando TR o sonda (RWF40)
- 5- Pg 11 Válvulas de gas
- 6- Pg 11 Presostato gas o control estanqueidad válvulas

CALIBRACIÓN RELÉ TÉRMICO

Sirve para evitar que se queme el motor por un fuerte aumento del consumo debido a la ausencia de una fase.

- Si el motor es alimentado en estrella, **400 V**, el cursor debe situarse en "MIN".
- Si el motor es alimentado en triángulo, **230 V**, el cursor debe situarse en "MAX".

Si la escala del relé térmico no comprende el consumo nominal indicado del motor a 400 V, la protección está igualmente asegurada.



NOTAS

- El modelo RS 64 MZ trifásico sale de fábrica previsto para una alimentación eléctrica de **400V**. Si la alimentación es a **230 V**, cambiar el conexionado del motor (de estrella a triángulo) y la regulación del relé térmico.
- Los quemadores RS 64 MZ han sido homologados para un funcionamiento intermitente. Ello significa que deben pararse "por Norma" al menos una vez cada 24 horas para permitir que la caja de control efectúe una verificación de la eficacia al arranque. Normalmente la detención del quemador está asegurada por el termostato/presostato de la caldera. Si no fuese así, debería colocarse en serie con el interruptor IN, un interruptor horario que parase el quemador al menos una vez cada 24 horas.
- Los quemadores RS 64 MZ salen de fábrica preparados para un funcionamiento dos llamas y por tanto debe conectarse el termostato/presostato TR. Si en cambio se desea que el quemador tenga un funcionamiento de una sola llama, introduzca, sustituyendo el termostato/presostato TR, un puente entre los bornes T6 - T8 del conector macho X4.



ATENCIÓN:

- No invertir el neutro con la fase en la línea de alimentación eléctrica. la inversión provocaría un bloqueo por fallo en el encendido.
- Sustituir los componentes sólo con recambios originales.

Declaração de Conformidade A.R. 8/1/2004 & 17/7/2009 – Bélgica

Produtor: RIELLO S.p.A.
37045 Legnago (VR) Italy
Tel. ++39.0442630111
www.riello.com

Colocação em circulação por: RIELLO NV
VAN MARCKE HQ
LAR Blok Z 5,
B-8511 Kortrijk (Aalbeke) BE
Tel. +32 56 23 7511
e-mail: riello@vanmarcke.be
URL. www.vanmarcke.com

Certifica-se com o presente documento que a série de aparelhos especificada a seguir está conforme ao modelo do tipo descrito na declaração de conformidade CE, e é produzida e colocada em circulação em conformidade aos pedidos definidos no Decreto-lei de 8 de Janeiro de 2004 e 17 Julho 2009.

Tipo de produto: Queimador a gás com ar insuflado
Modelo: RS 64 MZ
Norma aplicada: EN 267 e A.R. de 8 Janeiro 2004 - 17 Julho 2009
Organismo de controlo: TÜV Industrie Service GmbH
TÜV SÜD Gruppe
Ridlerstrase, 65
80339 München DEUTSCHLAND

Valores medidos: CO max: 1 mg/kWh
NOx max: 96,153 mg/kWh

Declaração do fabricante

RIELLO S.p.A. declara que os seguintes produtos respeita os valores limite dos NOx impostos pela normativa alemã "**1. BImSchV versão 26.01.2010**".

Produto	Tipo	Modelo	Potência
Queimador a gás com ar insuflado	885T	RS 64 MZ	150 - 850 kW

Legnago, 03.05.2021

Director de Pesquisa e Desenvolvimento
RIELLO S.p.A. - Direcção Queimadores

Eng. F. Maltempì



- ▶ O queimador **é munido de marcação CE** e conforme aos requisitos essenciais das seguintes Directivas:
 - CE Reg. N.: **0085BR0558** segundo 2016/426/UE (Regulamento Aparelhos a Gás);
 - Directiva Compatibilidade Electromagnética 2014/30/UE;
 - Directiva Baixa Tensão 2014/35/UE;
 - Directiva Máquinas 2006/42/CE;
- ▶ O queimador responde a grau de protecção IP 40 segundo EN 60529.

IDENTIFICAÇÃO

A Chapa de identificação do produto contém o número de matrícula, o modelo e os principais dados técnicos e de rendimentos. A alteração, remoção, a falta da Chapa de identificação não consente a identificação segura do produto e torna dificultosa e/ou perigosa qualquer operação de instalação e de manutenção.

ADVERTÊNCIAS GERAIS

Para garantir uma combustão com uma taxa mínima de emissões poluidoras, as dimensões e o tipo de câmara de combustão do gerador de calor, devem corresponder a valores bem definidos.

Portanto, antes de escolher este tipo de queimador para associá-lo com uma caldeira é aconselhável consultar o Serviço Técnico de Assistência.

O pessoal habilitado é aquele que possui os requisitos técnicos e profissionais indicados pela lei de 5 de Março de 1990 n° 46. A organização comercial dispõe de uma rede capilar de agências e serviços técnicos cujo pessoal participa periodicamente a cursos de Instrução e actualização no Centro de Formação empresarial.

Este queimador deve ser destinado somente ao uso para o qual foi expressamente realizado.

É excluída qualquer responsabilidade contratual e extra-contratual do fabricante pelos danos causados a pessoas, animais e coisas por erros na instalação e calibragem do queimador, por uso impróprio, erróneo e irracional, por não observância do manual de instruções entregue com o próprio queimador e pela intervenção de pessoal não habilitado.

INFORMAÇÕES PARA O UTILIZADOR


No caso se verificasse anomalias no acendimento ou no funcionamento, o queimador efectuará uma “paragem de segurança”, identificado com a sinalização vermelha de bloqueio do queimador. Para restabelecer as condições de arranque premer o botão de desbloqueio. No momento em que o queimador começa funcionar de novo, a luz vermelha desliga-se.

A dita operação pode ser repetida ao máximo por 3 vezes. No caso de repetidas “paragens de segurança” impõe a intervenção do Serviço Técnico de Assistência.

REGRAS FUNDAMENTAIS DE SEGURANÇA

- ▶ É proibido o uso do aparelho por parte de crianças ou pessoas inexperientes.
- ▶ É rigorosamente proibido tapar as grelhas de aspiração ou de dissipação e a abertura de ventilação do local onde está instalado o aparelho com farrapos, papéis ou outro tipo de material.
- ▶ O pessoal não autorizado está proibido de efectuar qualquer tipo de reparação do aparelho.
- ▶ É perigoso puxar ou torcer os cabos eléctricos.
- ▶ É proibido efectuar qualquer operação de limpeza antes de ter desligado o aparelho da rede de alimentação eléctrica.
- ▶ Não efectuar limpezas do queimador nem nas suas peças com substâncias facilmente inflamáveis (ex. gasolina, álcool, etc.).
A limpeza da capa deve ser efectuada somente com água ensaboada.
- ▶ Não apoiar objectos sobre o queimador.
- ▶ Não deixar contentores e substâncias inflamáveis no local onde está instalado o aparelho.

Em algumas partes do manual são utilizados os símbolos:

 **ATENÇÃO** = para acções que requerem um cuidado especial e uma preparação adequada.

 **PROIBIDO** = para acções que **NÃO DEVEM** absolutamente ser efectuadas.

P ÍNDICE

DADOS TÉCNICOS	página 2
Dados eléctricos	2
Descrição do queimador	3
Embalagem - Peso	3
Dimensões máximas	3
Forma de fornecimento	3
Campo de trabalho	4
Caldeira de ensaio	4
Caldeiras comerciais	4
Pressão do gás	5
INSTALAÇÃO	5
Placa da caldeira	6
Comprimento do tubo de fogo	6
Fixação do queimador à caldeira	6
Regulação do cabeçal de combustão	7
Linha de alimentação gás	8
Regulação antes do primeiro acendimento	9
Servomotor	9
Arranque do queimador	9
Acendimento do queimador	9
Regulação do queimador:	10
1 - Potência de acendimento	10
2 - Potência na 2ª chama	10
3 - Potência na 1ª chama	11
4 - Potências intermédias	11
5 - Pressostato de ar	12
6 - Pressostato gás de mínima	12
Controlo de presença de chama	12
Funcionamento do queimador	13
Controlo final	14
Manutenção	14
Teste de segurança - com fornecimento de gás fechado	15
Componentes de segurança	15
Diagnóstico programa de arranque	17
Desbloqueio do equipamento e utilização do diagnóstico	17
Anomalia - Causa Provável - Solução	18
Funcionamento normal / tempo de observação da chama	19
Acessórios	19
APÊNDICE	20
Esquema quadro eléctrico	21

Nota

As figuras mencionadas no texto identificam-se da seguinte forma:

1)(A) = Pormenor 1 da figura A, na mesma página que o texto;

1)(A)p.8 = Pormenor 1 da figura A, na página 8.

DADOS TÉCNICOS

P

MODELO			RS 64 MZ	
TIPO			885 T	
POTÊNCIA (1)	MÁX.	kW Mcal/h	400 - 850 345 - 730	
	MÍN.	kW Mcal/h	150 130	
COMBUSTÍVEL			GÁS NATURAL: G20 - G21 - G22 - G23 - G25	
			G20	G25
- Poder Calorífico Inferior	kWh/Sm ³		9,45	8,13
	Mcal/Sm ³		8,2	7,0
- Densidade absoluta	kg/Sm ³		0,71	0,78
- Caudal máximo	Sm ³ /h		90	104,5
- Pressão a máximo caudal (2)	mbar		10,7	16,1
FUNCIONAMENTO			<ul style="list-style-type: none"> Intermitente (mín. 1 paragem em 24 horas). Bifásico (chama alta e baixa) e monofásico (tudo - nada). 	
UTILIZAÇÃO			Caldeiras: de água, a vapor e óleo diatérmico	
TEMPERATURA AMBIENTE		°C	0 - 40	
TEMPERATURA AR COMBURENTE		°C máx	60	
NÍVEL SONORO (3)	Pressão Sonora	dBA	76	
	Potência Sonora		87	

(1) Condições de referência: Temperatura ambiente 20°C - Temperatura gás 15°C - Pressão barométrica 1013 mbar - Altitude acima do nível do mar 0 metros.

(2) Pressão na tomada 7(A)p.3 com pressão zero em câmara de combustão, e à potência máxima do queimador.

(3) Pressão acústica medida no laboratório de combustão do fabricante, com o queimador funcionando em caldeira de ensaio à máxima potência. A potência acústica é medida com o método "Free Field", previsto pela Norma EN 15036, e segundo uma precisão de medida "Accuracy: Category 3", como descrito pela Norma EN ISO 3746.

DADOS ELÉTRICOS

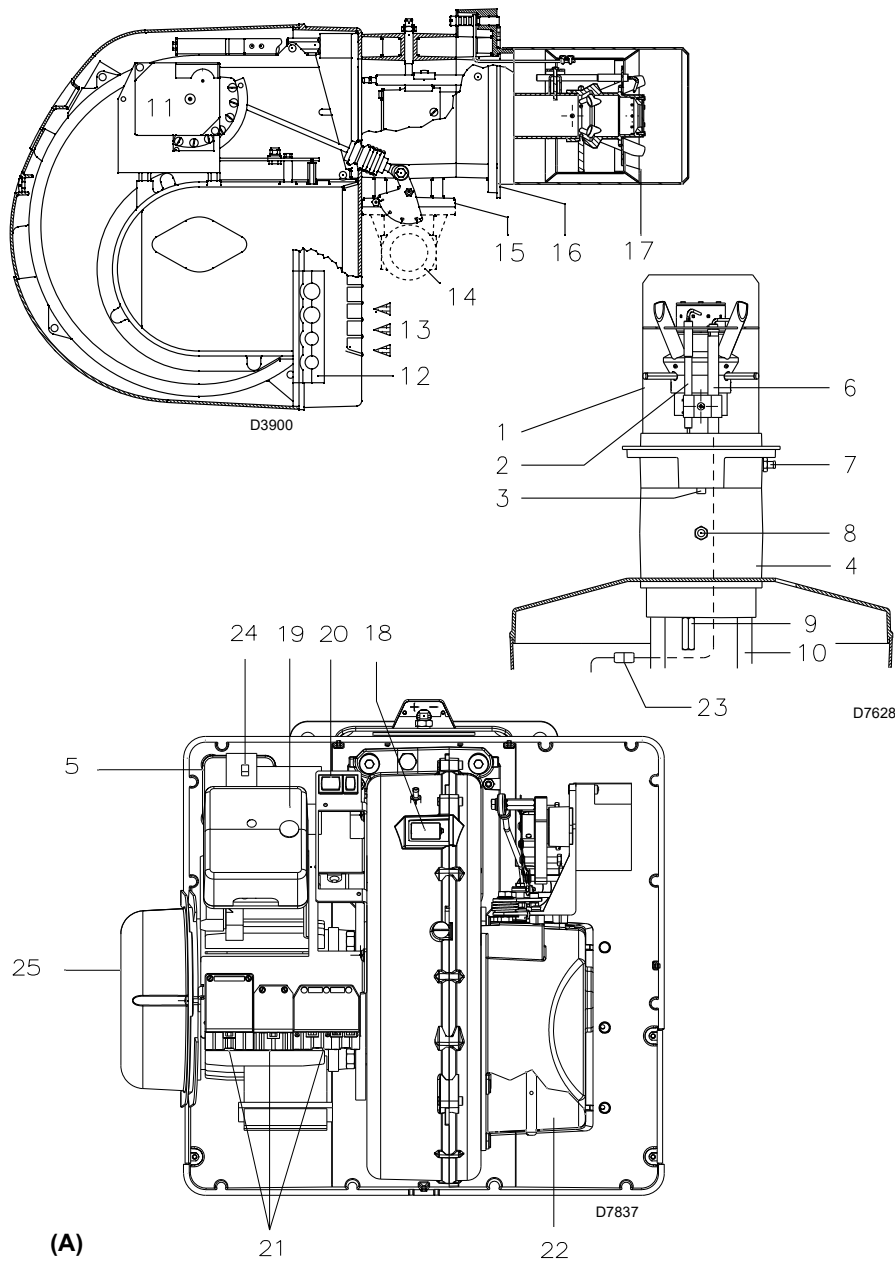
MODELO		RS 64 MZ	
ALIMENTAÇÃO ELÉCTRICA	V Hz	230 - 400 com neutro ~ +/- -10% 50 - trifásica	
MOTOR ELÉCTRICO IE3	rpm	2880	
	W	1100	
	V	220-240 / 380-415	
	A	4,3 - 2,5	
TRANSFORMADOR DE ACENDIMENTO	V1 - V2 I1 - I2	230 V - 1x15 kV 1 A - 25 mA	
POTÊNCIA ELÉCTRICA ABSORVIDA	W máx	1500	
GRAU DE PROTECÇÃO		IP 40	

VERSÕES CONSTRUTIVAS

Comprimento do tubo de fogo mm	250 - 385
--------------------------------	-----------

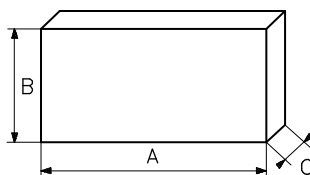
CATEGORIE GAS

PAÍS	CATEGORIA
IT - AT - GR - DK - FI - SE	I ₂ H3B / P
ES - GB - IE - PT	I ₂ H3P
NL	I _{2L} - I _{2E} - I ₂ (43.46 ÷ 45.3 MJ/m ³ (0°C))
FR	I _{2E} r3P
DE	I ₂ ELL3B /P
BE	I _{2E} (R)B, I ₃ P
LU - PL	I _{2E} 3B/P



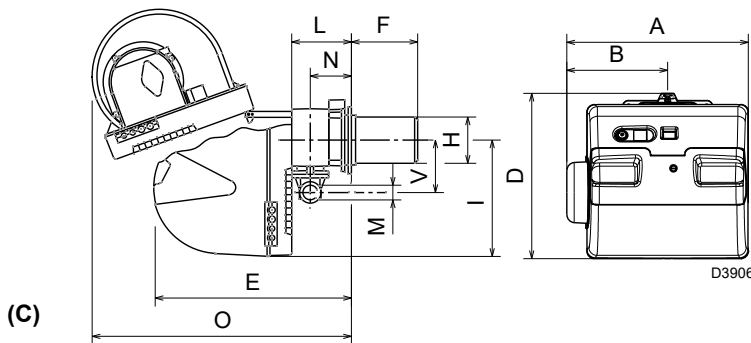
(A)

mm	A	B	C	kg
RS 64 MZ	1200	520	580	42



(B)

D88



(C)

D3906

mm	A	B	D	E	F (1)	H	I	L	O	N	V	M
RS 64 MZ	533	300	490	640	250 - 385	179	352	222	870	134	221	2"

(1) Tubo de fogo: curto-longo

DESCRIÇÃO DO QUEIMADOR (A)

- 1 Cabeçal de combustão
- 2 Electrodo de acendimento
- 3 Parafuso de regulação do cabeçal de combustão
- 4 Manguito
- 5 Pressostato de ar de mínima (tipo diferencial)
- 6 Sonda para o controlo de presença chama
- 7 Tomada de pressão do ar
- 8 Tomada de pressão do gás e parafuso de fixação do cabeçal
- 9 Parafuso de fixação do ventilador à mangueira
- 10 Guias para abertura do queimador e inspecção do cabeçal de combustão
- 11 Servomotor, para o controlo da válvula borboleta do gás e, através de uma came de perfil variável, a comporta do ar. Quando o queimador está parado, o registo do ar está completamente fechado para reduzir ao mínimo a dispersão térmica da caldeira devido à tiragem que toma ar da boca de aspiração do ventilador.
- 12 Placa com 4 orifícios sugeridos, para a passagem dos cabos eléctricos
- 13 Entrada de ar do ventilador
- 14 Condução de entrada de gás
- 15 Válvula borboleta gás
- 16 Flange para fixação à caldeira
- 17 Disco estabilizador da chama
- 18 Visor da chama
- 19 Caixa de controlo com piloto luminoso de bloqueio e botão de desbloqueio
- 20 Um interruptor para: o funcionamento automático - manual - paragem
Um botão para: aumento - diminuição da potência
- 21 Fichas para a ligação eléctrica
- 22 Comporta de ar
- 23 Ficha-tomada do cabo da sonda de ionização
- 24 Contactor motor e relé térmico com botão de desbloqueio
- 25 Protecção motor

Existem duas possibilidades de bloqueio do queimador:

• BLOQUEIO DA CAIXA DE CONTROLO:

ao ficar aceso o botão da caixa 19)(A) indica que o queimador está bloqueado.

Para desbloquear, premir o botão.

• BLOQUEIO MOTOR:

alimentação eléctrica de três fases, para desbloquear premir o botão do relé térmico 24)(A).

EMBALAGEM - PESO (B) - medidas aproximadas

Os queimadores são fornecidos em embalagem de cartão, cujas dimensões são especificadas na tabela (B).

O peso do queimador completo com a embalagem é indicado na tabela (B).

DIMENSÕES MÁXIMAS (C) - medidas aproximadas

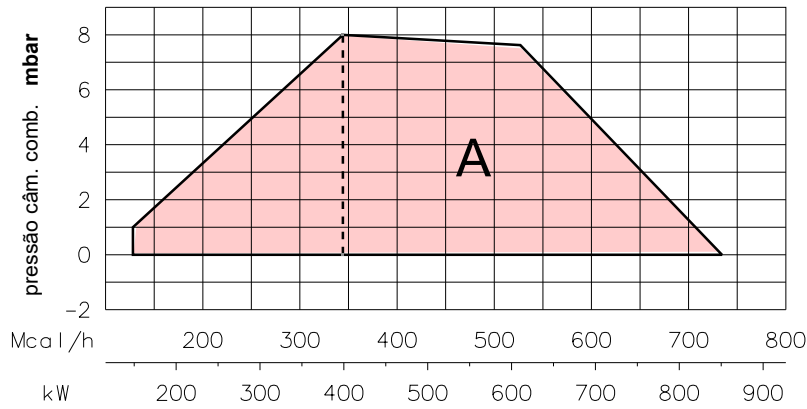
As dimensões máximas do queimador são indicadas na Fig. (C).

Ter em conta que para inspecionar o cabeçal de combustão, o queimador deve ser deslocado para trás e ser rodado para cima.

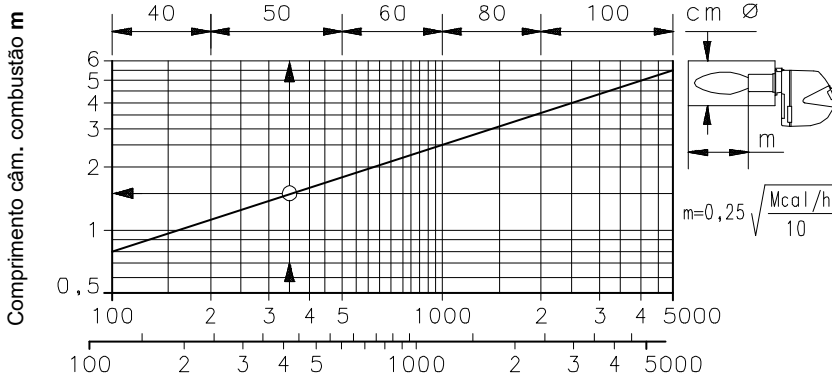
O comprimento máximo do queimador aberto, sem envolvente, está indicado pela cota H.

FORMA DE FORNECIMENTO

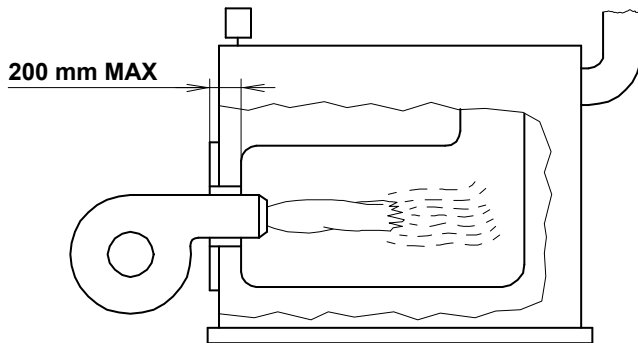
- 1 - Flange de ligação à linha de gás
- 1 - Junta da flange
- 4 - Parafusos M 10 x 35 de fixação da flange
- 1 - Junta isolante
- 4 - Parafusos para fixar a flange do queimador à caldeira M 12 x 35
- 5 - Passacabos para a conexão eléctrica
- 1 - Protecção motor (com parafuso de fixação)
- 1 - Grupo pinos
- 1 - Instruções
- 1 - Lista de peças de substituição



(A) D3903



(B) D497



(C) D1079

CAMPO DE TRABALHO

Durante o funcionamento, a potência do queimador varia entre:

- uma **POTÊNCIA MÁXIMA**, escolhida dentro da área A.
- e uma **POTÊNCIA MÍNIMA**, que não deve ser inferior ao limite mínimo do diagrama.



Atenção:

O CAMPO DE TRABALHO foi obtido à temperatura ambiente de 20°C, à pressão barométrica de 1013 mbar (acerca de 0 m acima do nível do mar) e com o cabeçal de combustão regulado conforme indicado na página 7.

CALDEIRA DE ENSAIO (B)

Os gráficos foram obtidos com caldeiras de ensaio especiais, conforme a norma EN 676.

Na figura (B) é indicado o diâmetro e o comprimento da câmara de combustão da caldeira de ensaio.

Exemplo

Potência 350 Mcal/h:

diâmetro = 50 cm, comprimento = 1,5 m.

CALDEIRAS COMERCIAIS (C)

Não existe problema algum no acoplamento queimador-caldeira se esta tiver homologação CE e se as dimensões da câmara de combustão se aproximam das indicadas no gráfico (B).

Se, pelo contrário, o queimador for instalado numa caldeira comercial não homologada CE ou com as dimensões da câmara de combustão muito mais pequenas que as indicadas no gráfico (B), deve-se consultar o fabricante.

Além disso, para caldeiras de inversão, aconselha-se de controlar o comprimento do cabeçal de combustão segundo quanto prescrito pelo construtor da caldeira.

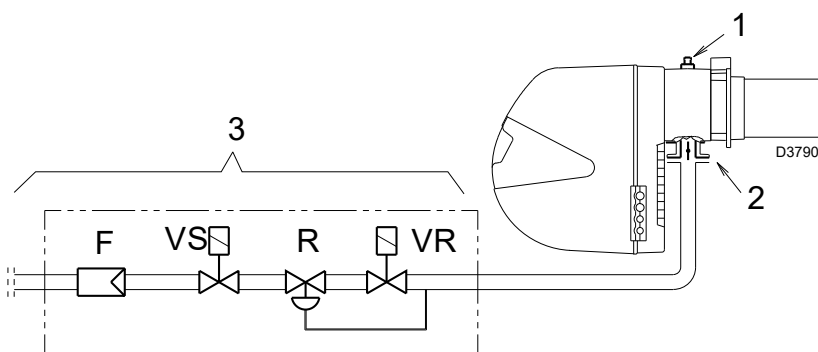
A espessura máxima da portinhola anterior da caldeira não deve ser superior a 200 mm (ver fig. C).

RS 64 MZ

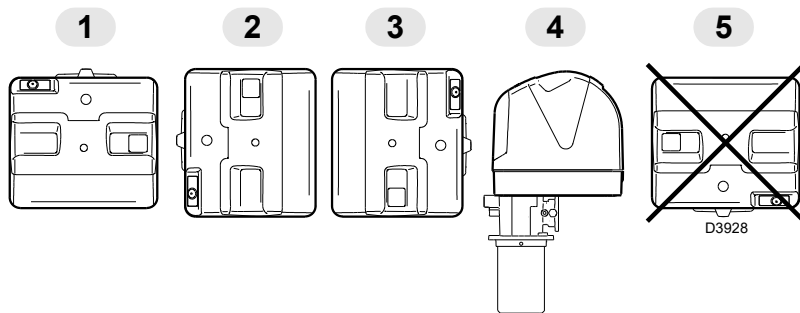
Δp (mbar)

kW	1	2	3			
			3970144 3970197	3970180 3970198	3970181 3970182	3970221 3970225
400	2.0	0.3	14.1	7.4	5.2	3.8
450	2.8	0.4	17.0	8.8	6.1	4.0
475	3.3	0.5	18.4	9.4	6.6	4.1
500	3.7	0.5	19.9	10.1	7.0	4.2
550	4.5	0.6	23.2	11.6	8.2	4.4
600	5.4	0.7	26.7	13.2	9.5	4.6
625	5.8	0.8	28.5	13.9	10.1	4.7
650	6.3	0.9	30.3	14.7	10.8	4.9
700	7.4	1.0	34.0	16.4	12.1	5.1
750	8.5	1.2	37.7	18.0	13.4	5.4
800	9.6	1.3	41.5	19.9	14.8	5.8
850	10.7	1.5	45.3	21.8	16.3	6.2

(A)



(B)



(C)

PRESSÃO DO GÁS

As tabelas existentes na margem indicam as perdas de carga mínimas da linha de alimentação de gás em função da potência máxima do queimador.

Coluna 1

Perda de carga cabeçal de combustão.

Pressão do gás medida à tomada 1)(B), com câmara de combustão a 0 mbar.

Coluna 2

Perda de carga registo borboleta gás 2)(B) com abertura máxima: 90°.

Coluna 3

Perda de carga rampa de gás 3)(B) compreende: válvula de regulação VR, válvula de segurança VS (ambas com a máxima abertura), regulador de pressão R, filtro F.

Os valores indicados nas tabelas referem-se a: gás natural G 20 PCI 9,45 kWh/Sm³ (8,2 Mcal/Sm³)

Com:

gás natural G 25 PCI 8,13 kWh/Sm³ (7,0 Mcal/Sm³)

multiplicar os valores das tabelas:

- coluna 1-2: para 1,5;

- coluna 3: para 1,35.

Para conhecer a potência MÁX aproximada à que está a funcionar o queimador:

- Subtrair à pressão do gás na toma 1)(B) a sobrepressão da câmara de combustão.

- Encontrar na tabela relativa ao queimador coluna 1, o valor de pressão mais próximo ao resultado da subtração.

- Ler à esquerda a potência correspondente.

Exemplo

• Funcionamento à MÁX potência

• Gás natural G 20 PCI 9,45 kWh/Sm³

• Pressão do gás na tomada 1)(B) = 6,7 mbar

• Pressão na câmara de combustão = 3 mbar
6,7 - 3 = 3,7 mbar

À pressão 3,7 mbar, coluna 1, corresponde na tabela RS 64 MZ a uma potência de 500 kW.

Este valor serve como primeira aproximação; o real determinar-se-á através do contador.

Pelo contrário, para conhecer a pressão do gás necessária na toma 1)(B), uma vez fixada a potência MÁX à qual se deseja que o queimador funcione:

- Procurar a potência mais próxima ao valor desejado, na tabela relativa ao queimador que se considere.

- Ler à direita, coluna 1, a pressão na tomada 1)(B).

- Somar a este valor a sobrepressão estimada na câmara de combustão.

Exemplo

• Potência MÁX desejada: 500 kW

• Gás natural G 20 PCI 9,45 kWh/Sm³

• Pressão do gás à potência de 500 kW, tabela RS 64 MZ, coluna 1 = 3,7 mbar

• Pressão na câmara de combustão = 3 mbar
3,7 + 3 = 6,7 mbar

pressão necessária na tomada 1)(B).



Os dados de saída térmica e a pressão de gás superior estão relacionados com a operação a válvula borboleta completamente aberta (90°).

INSTALAÇÃO

A INSTALAÇÃO DO QUEIMADOR DEVE SER REALIZADA EM CONFORMIDADE COM AS LEIS E NORMAS LOCAIS.

POSIÇÃO DE FUNCIONAMENTO (C)

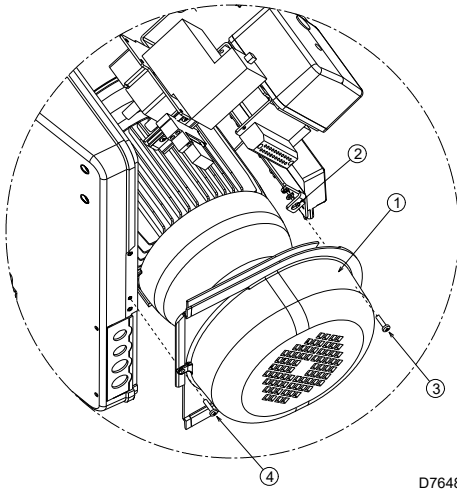
O queimador está predisposto exclusivamente para o funcionamento nas posições 1, 2, 3 e 4.

A instalação 1 é preferível pois é a única que permite a manutenção como descrita a seguir neste manual. As instalações 2, 3 e 4 permitem o funcionamento mas tornam menos acessíveis as operações de manutenção e de inspeção do cabeçal de combustão pág. 14. Qualquer outro posicionamento pode comprometer o bom funcionamento do aparelho.

A instalação 5 é proibida por motivos de segurança.



ANTES DE MONTAR A CAIXA É NECESSÁRIO FIXAR A PROTECÇÃO DO MOTOR, FORNECIDA JUNTO (1)(A), NA HASTE (2)(A), UTILIZANDO OS APROPRIADOS PARAFUSOS (3)(A) COM PORCA E ANILHA. FIXAR A HASTE AO ESCUDO ANTERIOR DO QUEIMADOR MEDIANTE O PARAFUSO (4)(A).



(A)

D7648

PLACA DA CALDEIRA (B)

Furar a placa de fecho da câmara de combustão, tal como está indicado em (B). A posição dos orifícios roscados pode ser marcada utilizando a junta isolante que é fornecida com o queimador.

COMPRIMENTO DO TUBO DE FOGO (C)

O comprimento do tubo de fogo deve ser maior da espessura da porta da caldeira, completa com refractário.

Os comprimentos, L (mm), disponíveis são:

Tubo de fogo 10)

- curto 250
- comprido 385

Para as caldeiras com passagens de fumos dianteiras 15) ou com câmara de inversão da chama, colocar uma protecção de material refractário 11) entre o refractário da caldeira 12) e o tubo de fogo 10).

Esta protecção deve permitir que o tubo de fogo se desloque.

Para as caldeiras com frontal refrigerado por água, não é necessário o revestimento refractário 11)-12), salvo se este for indicado pelo fabricante da caldeira.

FIXAÇÃO DO QUEIMADOR À CALDEIRA (D)

Antes de fixar o queimador à caldeira, verificar (através da abertura do tubo de fogo) se a sonda e o eléctrodo de acendimento estão correctamente posicionados como indica a figura (D).

Separar portanto o cabeçal de combustão do resto do queimador, fig. (C).

- Aliviar o parafuso 13) e extrair a cobertura 14).
- Soltar a rótula 4) do sector graduado 5).
- Tirar os parafusos 2) das duas guias 3).
- Desenroscar os parafusos 1) e deslocar o queimador pelas guias 3) cerca de 100 mm;
- Desligar os cabos da sonda e do eléctrodo e seguidamente retirar por completo o queimador das guias, depois de ter tirado o passador da guia 3).

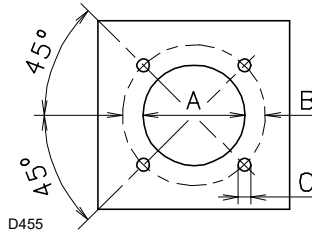
Fixar a flange 9)(C) à chapa da caldeira, interpondo a protecção isolante 6)(C) fornecida junto. Utilizar os 4 parafusos fornecidos, depois de ter protegido a rosca com um produto anti-bloqueio.

O acoplamento do queimador à caldeira deve ser hermético.

Se na verificação anterior, a posição da sonda ou do eléctrodo não era correcta, desenroscar o parafuso 1)(E), retirar a parte interior 2)(E) do cabeçal e proceder à sua calibragem.

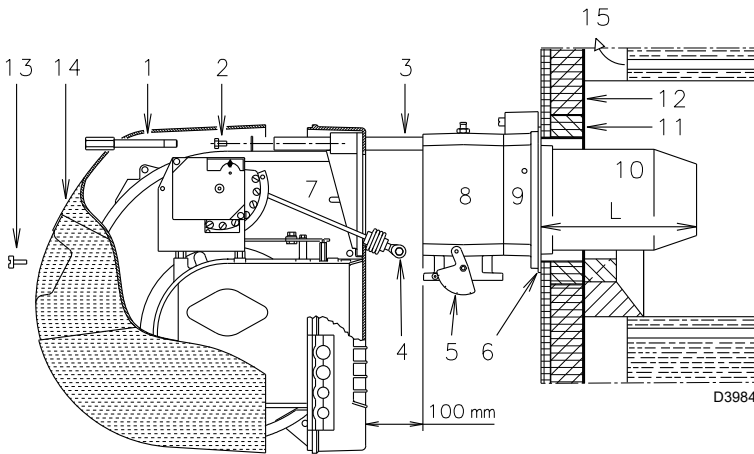
Não rodar a sonda, mas sim, deixá-la conforme o indicado em (D), já que se esta se aproximar demasiado do eléctrodo de acendimento poderá danificar o amplificador da caixa de controlo.

mm	A	B	C
RS 64 MZ	185	275 - 325	M 12



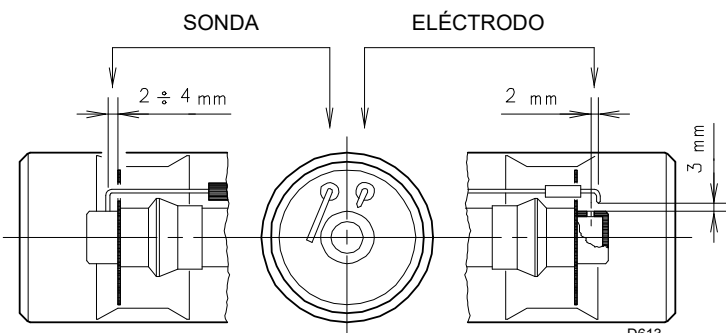
(B)

D455



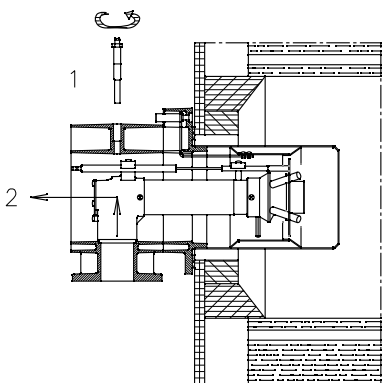
(C)

D3984



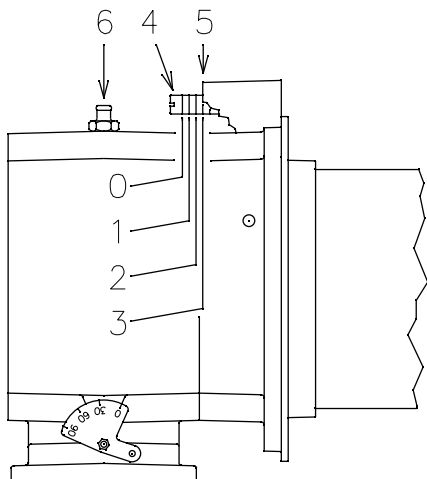
(D)

D613



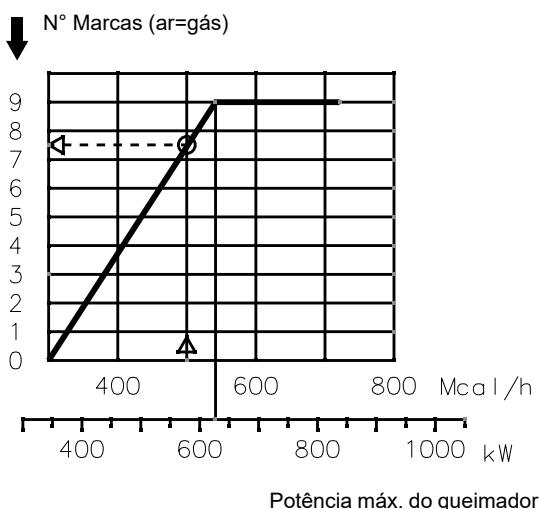
(E)

D3904



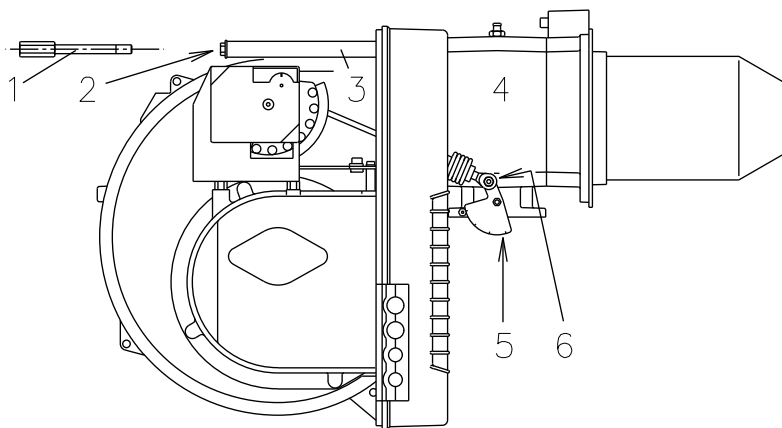
(A)

D3905



(B)

D3909



(C)

D3985

REGULAÇÃO CABEÇAL DE COMBUSTÃO

Neste ponto da instalação, o tubo de fogo e o suporte queimador fixam-se à caldeira como é indicado na fig. (A). Assim, resulta particularmente fácil fazer a regulação do cabeçal de combustão; regulação que depende unicamente da potência máxima do queimador.

Portanto, antes de regular o cabeçal de combustão, é preciso fixar este valor.

É prevista a regulação do cabeçal lado ar.

Encontrar no diagrama (B) a marca à qual regular o ar e, portanto:

Regulação do ar (A)

Rodar o parafuso 4)(A) até que coincida o número de posição calculada com o plano anterior 5)(A) da flange.

Exemplo

Potência MÁX. do queimador = 500 Mcal/h.

Através do diagrama (B) resulta que, com essa potência, a regulação do ar deve ser efectuada na marca 7.5, como indicado na fig. (A).

Terminada a regulação do cabeçal, remontar o queimador nos guias 3)(C) a uma distância de aprox. 100 mm da mangueira 4)(C) - queimador na posição indicada na fig. (C)p.6 - inserir o cabo da sonda e o cabo do eléctrodo. Em seguida, fazer deslizar o queimador até a mangueira, queimador na posição indicada na fig. (C).

Voltar a colocar os parafusos 2) nas guias 3).

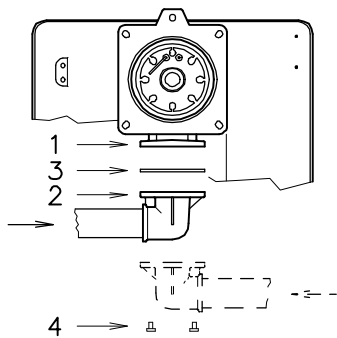
Fixar o queimador à mangueira com o parafuso 1).

Voltar a enganchar a rótula 6) no sector graduado 5).



Atenção

No momento de fechar o queimador nas guias, é conveniente puxar suavemente para fora o cabo de alta tensão e da sonda de revelação da chama até que estejam ligeiramente esticados.



(A)

D505

LINHA DE ALIMENTAÇÃO GÁS

- A linha de gás deve ser ligada ao engate do gás 1)(A), mediante a flange 2), a junta 3) e os parafusos 4) fornecidos junto com o próprio queimador.
- A linha pode chegar pela direita ou pela esquerda, conforme convenha, ver fig. (A).
- As electroválvulas do gás devem estar o mais perto possível ao queimador, de modo de garantir a chegada do gás ao cabeçal de combustão no tempo de segurança de 3s.
- Certificar-se de que o campo de calibragem do regulador de pressão (cor da mola) abarca a pressão de gás de que necessita o queimador.

LINHA DE GÁS (B)

Está homologada conforme a norma EN 676 e é fornecida em separado, com o número de referência que é indicado na tabela (C).

LEGENDA (B)

- 1 - Condução de chegada do gás
- 2 - Válvula manual
- 3 - Junta antivibração
- 4 - Manómetro com válvula de botão
- 5 - Multibloc que inclui:
 - filtro (substituível)
 - válvula de funcionamento
 - regulação de pressão
- 6 - Pressostato gás de mínima
- 7 - Dispositivo de controlo estanquidade válvulas.
Conforme a norma EN 676, o controlo de estanquidade é obrigatório para queimadores com potência máxima superior a 1200 kW.
- 8 - Junta
- 9 - Registo borboleta de gás
- 10 - Pressostato gás de máxima (acessório)
- 11 - Adaptador linha de gás-queimador

P1 - Pressão no cabeçal de combustão
P2 - Pressão montante válvulas/regulador

L - Linha de gás fornecida em separado, com o N° de Ref. que é indicado na tabela (C)
L1 - A cargo do instalador

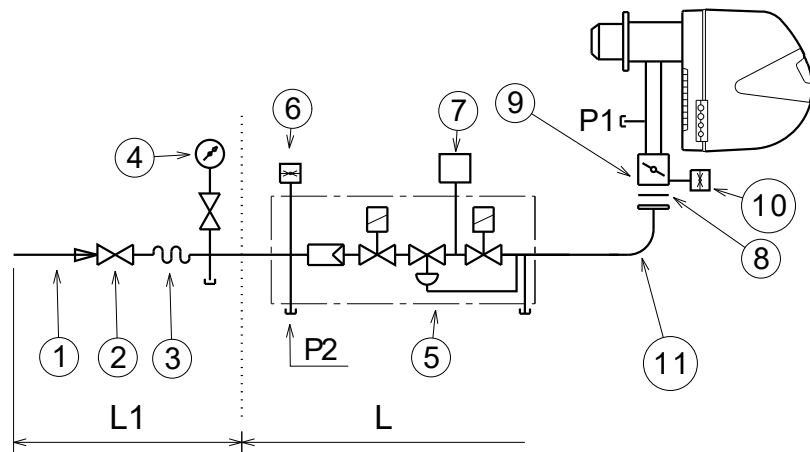
LEGENDA TABELA (C)

C.T.= Dispositivo controlo estanquidade válvulas gás:

- = Linha de gás sem dispositivo para o controlo de estanquidade dispositivo que pode ser encomendado à parte, ver coluna 7, e montado sucessivamente.
 - ◆ = Linha de gás com o dispositivo para o controlo de estanquidade VPS montado.
- 7 = Dispositivo de controlo estanquidade válvulas VPS.
É fornecido à parte da linha de gás, por encomenda.
- 11 = Adaptador linha de gás-queimador.
É fornecido à parte da linha de gás, por encomenda.

Nota

Para a regulação da linha de gás, ver as instruções que acompanham a mesma.



(B)

D3791

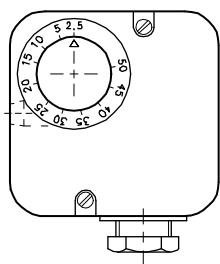
QUEIMADORES E LINHAS DE GÁS HOMOLOGADAS CONFORME NORMA EN 676

LINHAS DE GÁS L				7	11
Código	Modelo	Ø	C.T.	Código	Código
3970144	MB-DLE 412	1"1/4"	-	3010123	3000843
3970197	MB-DLE 412 CT	1"1/4"	◆	3010123	3000843
3970180	MB-DLE 415	1"1/2"	-	3010123	3000843
3970198	MB-DLE 415 CT	1"1/2"	◆	3010123	3000843
3970181	MB-DLE 420	2"	-	3010123	-
3970182	MB-DLE 420 CT	2"	◆	-	-
3970221	MBC-1200-SE-50	2"	-	3010123	-
3970225	MBC-1200-SE-50 CT	2"	◆	-	-

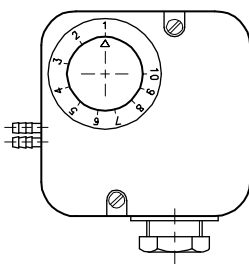
(C)

PRESSOSTATO GÁS DE MÍN.

PRESSOSTATO AR

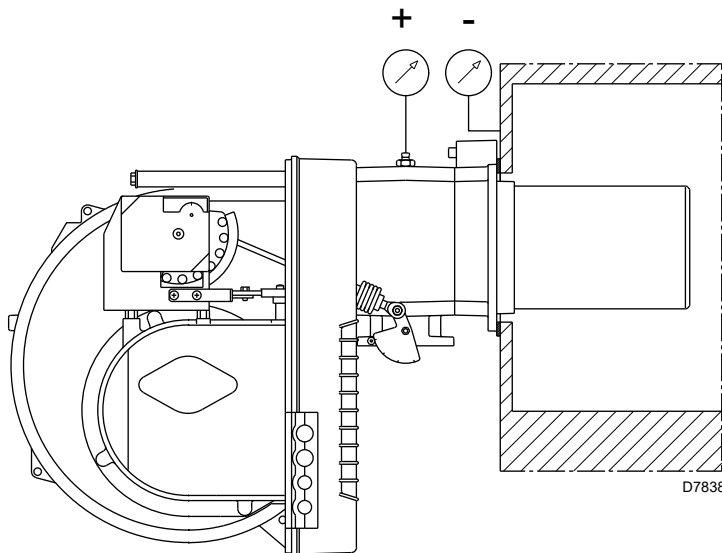


(A)



(B)

D897



D7838

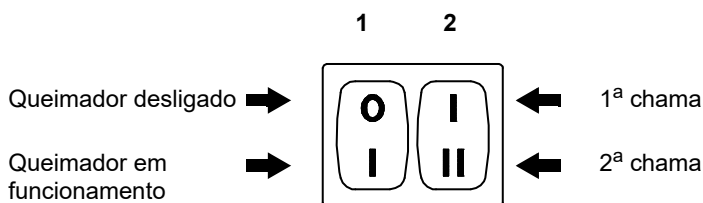
(C)

SERVOMOTOR



(D)

D517



(E)

D469

REGULAÇÃO ANTES DO PRIMEIRO ACENDIMENTO

ATENÇÃO

O PRIMEIRO ACENDIMENTO DEVE SER EXECUTADO POR PESSOAL QUALIFICADO E DOTADO DE INSTRUMENTAÇÃO ADEQUADA.

A regulação do cabeçal de combustão, ar e gás, já foi descrita na pág. 7.

Efectuar, ainda, as seguintes regulações:

- Abrir as válvulas manuais localizadas antes da linha de gás.
- Regular o pressostato gás de mínima ao início da escala (A).
- Regular o pressostato ar ao início da escala (B).
- Purgar o ar da tubagem de gás.

É aconselhável evacuar o ar purgado ao exterior do edifício (através de um tubo de plástico) até notar o odor característico do gás.

- Instalar um manómetro (C) na tomada de pressão do suporte queimador.

Serve para calcular, aproximadamente, a potência do queimador em 2ª chama através das tabelas da pág. 5.

- Ligar em paralelo às duas electroválvulas de gás VR e VS, duas lâmpadas ou um tester para controlar o momento da chegada de corrente.

Esta operação não é necessária se cada uma das electroválvulas estiver equipada com uma luz piloto que assinala a presença de corrente eléctrica.

Antes de colocar em funcionamento o queimador, é conveniente regular a linha de gás de forma que o acendimento se faça em condições de máxima segurança, isto é, com um pequeno caudal de gás.

SERVOMOTOR (D)

O servomotor regula em simultâneo o registo do ar pela came de perfil variável e a válvula borboleta do gás.

O ângulo de rotação do servomotor é igual ao ângulo do sector graduado da válvula borboleta do gás. O servomotor roda 90° em 12 segundos. Não modificar a regulação feita de fábrica das 4 cames com que está dotado; verificar simplesmente que as cames estão reguladas da seguinte forma:

Came St2 : 90°

Limita a rotação máxima. Com o queimador funcionando em 2ª chama, a válvula de borboleta do gás deve estar completamente aberta: 90°.

Came St0 : 0°

Limita a rotação próximo ao mínimo. Com o queimador desligado, o registo de ar e a válvula borboleta do gás devem estar fechados: 0°.

Came St1 : 15°

Regula a posição de acendimento e da potência em 1ª chama.

Came MV : não utilizada

ARRANQUE DO QUEIMADOR

Fechar os termóstatos e premir:

- o interruptor 1)(E) para a posição "Queimador em funcionamento";

- o interruptor 2)(E) para a posição "1ª chama". Assim que o queimador entre em funcionamento, controlar o sentido de giro da turbina do ventilador através do visor de chama 18)(A)p.3.

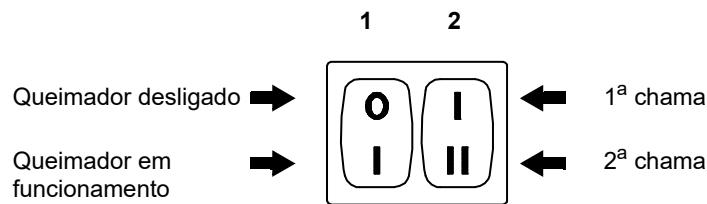
Verificar que as lâmpadas ou o tester ligados às electroválvulas, ou as luzes piloto das próprias electroválvulas, indicam ausência de corrente. Se assinalam que existe corrente, parar imediatamente o queimador e verificar a ligação eléctrica.

ACENDIMENTO DO QUEIMADOR

Depois de ter efectuado as operações descritas no parágrafo anterior, o queimador deve acender-se. Se o motor arranca mas não aparece chama e a caixa de controlo se bloqueia, rearmar esta e fazer uma nova tentativa de arranque.

Se o acendimento continua sem efeito, pode ser devido a que o gás não chega ao cabeçal de combustão no tempo de segurança de 3 segundos. Em tal caso, aumentar o caudal de gás no acendimento.

A chegada de gás à mangueria pode observar-se no manómetro (C). Uma vez efectuado o acendimento, proceder-se-á à regulação completa do queimador.



(A)

D469

REGULAÇÃO DO QUEIMADOR

Para conseguir uma óptima regulação do queimador, é necessário fazer uma análise dos gases de combustão na base da caldeira.

Terá que se regular consecutivamente:

- 1 - Potência de acendimento
- 2 - Potência do queimador na 2ª chama
- 3 - Potência do queimador na 1ª chama
- 4 - Potência intermédia
- 5 - Pressostato ar
- 6 - Pressostato gás de mínima



Antes de iniciar o queimador, consulte o parágrafo "Teste de segurança com fornecimento de gás fechado" na pág. 15.

1 - POTÊNCIA DE ACENDIMENTO

Conforme a norma EN 676.

Queimadores com potência MÁX até 120 kW

O acendimento pode ser feito à máxima potência de funcionamento. Exemplo:

- Potência máxima de funcionamento: 120 kW
- Potência máxima de acendimento: 120 kW

Queimadores com potência MÁX superior a 120 kW

O acendimento deve ser feito a uma potência reduzida em relação à potência máxima de funcionamento.

Se a potência de acendimento não ultrapassa os 120 kW, não é necessário fazer cálculo algum. Pelo contrário, se a potência supera os 120 kW, a norma estabelece que o seu valor seja definido em função do tempo de segurança "ts" da caixa de controlo:

- Para "ts" = 2s. A potência de acendimento deve ser igual ou inferior a 1/2 da potência máxima de funcionamento;
- para "ts" = 3s. A potência de acendimento deve ser igual ou inferior a 1/3 da potência máxima de funcionamento.

Exemplo: potência MÁX de funcionamento 600 kW. A potência de acendimento deve ser igual ou inferior a:

- 300 kW com ts = 2 s
- 200 kW com ts = 3 s

Para medir a potência de acendimento:

- desconectar a ficha-tomada 23)(A)p.3 do cabo da sonda de ionização (o queimador acende-se e bloqueia-se passado o tempo de segurança).
- Efectuar 10 acendimentos com bloqueios consecutivos.
- Ler no contador o gás consumido. Essa quantidade deve ser igual ou inferior à dada pela fórmula, por ts = 3s

$$Vg = \frac{Qa \text{ (caudal max. queimador)} \times n \times ts}{3600}$$

3600

Vg: volume fornecido nos acendimentos executados (Sm³)

Qa: caudal de acendimento (Sm³/h)

n: número de acendimentos (10)

ts: tempo de segurança (seg)

Exemplo para gás G 20 (9,45 kWh/Sm³):

potência de acendimento 400 kW

correspondentes a 47,6 Nm³/h.

Depois de 10 acendimentos com bloqueio, o caudal de gás medido no contador deve ser igual ou inferior a:

$$Vg = \frac{47,6 \times 10 \times 3}{3600} = 0,397 \text{ Sm}^3$$

3600

2 - POTÊNCIA NA 2ª CHAMA

A potência na 2ª chama é escolhida dentro do campo de trabalho indicado na pág. 4.

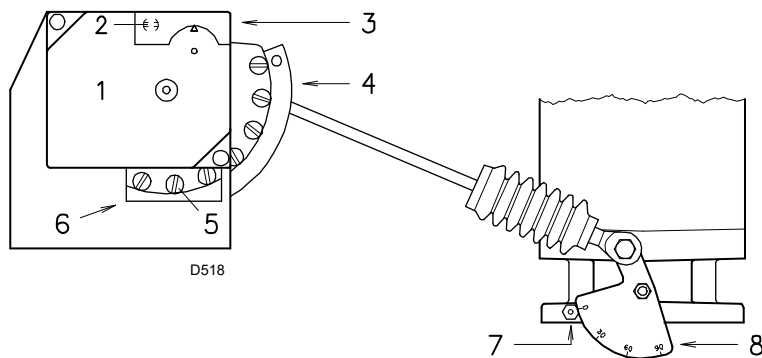
Na descrição anterior, o queimador estava em funcionamento na 1ª chama. Situar agora o interruptor 2)(A) na posição "2ª chama": o servomotor abrirá o registó de ar e ao mesmo tempo a válvula borboleta do gás a 90°.

Regulação do gás

Medir o caudal de gás no contador.

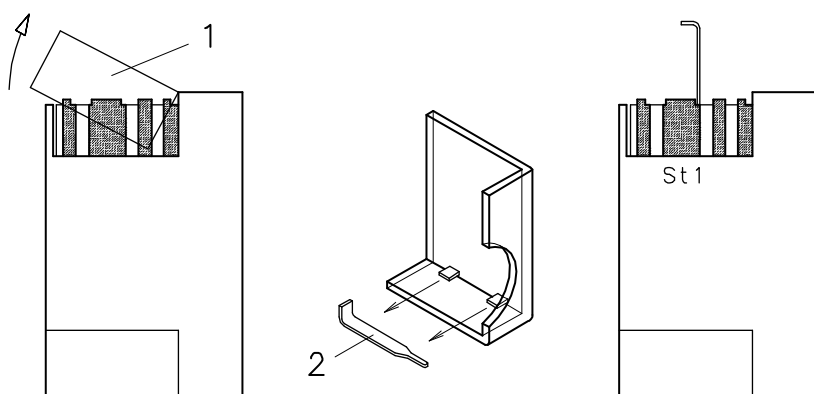
A título indicativo, pode ser obtido através da tabela de pág. 5; é suficiente ler a pressão no manómetro, ver fig. (C) na pág. 9, e seguir as indicações dadas na pág. 5.

- Se for necessário reduzi-lo, diminuir a pressão do gás à saída e, se já está no mínimo, fechar um pouco a válvula de regulação VR.
- Se for necessário aumentá-la, aumentar a pressão de gás à saída do regulador.



- 1 Servomotor
- 2 ☐ Bloqueio / ☐ Desbloqueio came 4
- 3 Tampa cames
- 4 Came de perfil variável
- 5 Parafusos regulação perfil variável
- 6 Abertura acesso parafusos 5
- 7 Índice do sector graduado 8
- 8 Sector graduado válvula borboleta de gás

(A)



(B)

D520

Regulação do ar

Variar progressivamente o perfil final da came 4)(A), actuando sobre os parafusos da came que aparecem no interior da abertura 6)(A).

- Para aumentar o caudal de ar, roscar os parafusos.
- Para diminuir o caudal de ar, desenroscar os parafusos.

3 - POTÊNCIA NA 1ª CHAMA

A potência na 1ª chama é escolhida dentro do campo de trabalho indicado na pág. 4.

Pressionar o interruptor 2)(A)p.10 para posição "1ª chama": o servomotor 1)(A)fechará o registo de ar, e ao mesmo tempo, o da válvula borboleta do gás situando-o a 15°, que é a regulação efectuada em fábrica.

Regulação do gás

Medir o caudal de gás no contador.

- Se deseja diminuí-lo, reduzir um pouco o ângulo da came St1 (B) através de curtos e sucessivos deslocamentos, isto é, passando do ângulo de 15° a 13° - 11°....
- Se deseja aumentá-lo, passar à 2ª chama pressionando o interruptor 2)(A)p.10 e aumentar um pouco o ângulo da came St1 através de curtos e sucessivos deslocamentos, isto é, passando do ângulo de 15° a 17° - 19°....

Seguidamente retornar à 1ª chama e medir o caudal de gás.

NOTA

O servomotor segue a regulação da came St1 só quando se reduz o ângulo da mesma. Se se tem que aumentar o ângulo, é necessário passar à 2ª chama, aumentar o ângulo e retornar à 1ª chama para verificar o efeito da regulação.

Se o ângulo de St1 se aumenta em 1ª chama produz-se a paragem do queimador.

Para a eventual regulação da came St1, retirar a tampa 1), colocada à pressão, como o indicado na fig. (B), tirar a cavilha 2) localizada no interior e introduzi-la no encaixe da came St1.

Regulação do ar

Variar progressivamente o perfil inicial da came 4)(A), actuando sobre os parafusos da came que aparecem no interior da abertura 6)(A). Se possível, não rodar o primeiro parafuso, dado que é o utilizado para fechar a comporta do ar completamente.

4 - POTÊNCIAS INTERMÉDIAS

Regulação do gás

Não é necessário regulação alguma.

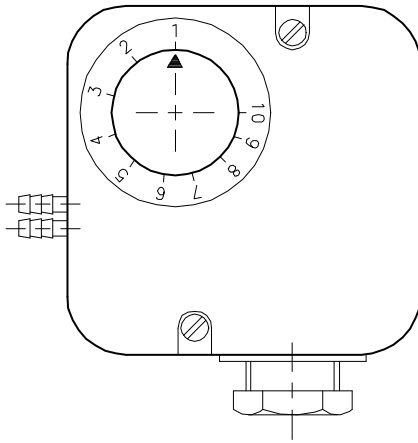
Regulação do ar

Desligar o queimador com auxílio do interruptor 1)(A)p.10, desbloquear a came de perfil variável, colocando o entalhe do servomotor 2) (A) em posição vertical e actuar sobre os parafusos intermédios da guia de maneira que a inclinação seja progressiva. Provar várias vezes rodando a came, com a mão, para diante e para trás: o movimento deve ser suave e sem brusquidão.

Não actuar os parafusos das extremidades que já foram utilizados para regular o registo do ar na 1ª e 2ª chamas.

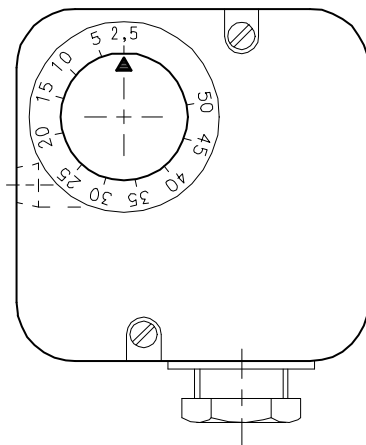
NOTA

Uma vez terminada a regulação das potências 2ª chama - 1ª chama - INTERMÉDIAS, voltar a verificar o acendimento: deve produzir-se um ruído parecido ao do funcionamento sucessivo. Se forem observadas pulsações, reduzir o caudal do acendimento.



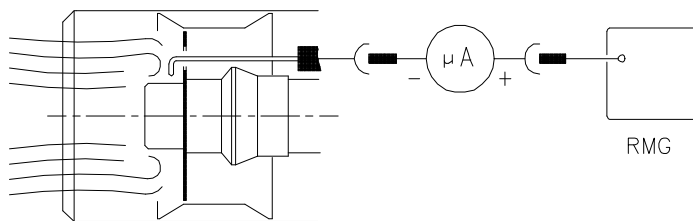
(A)

D521



(B)

D896



(C)

D3023

5 - PRESSOSTATO DE AR (A)

Efectuar a regulação do pressostato de ar, depois de ter feito todas as restantes regulações do queimador, com o pressostato de ar ajustado ao início da escala (A).

Com o queimador a funcionar na 1ª chama, aumentar a pressão de regulação rodando lentamente (no sentido horário) o botão fornecido para tal efeito, até que o queimador se bloqueie. Seguidamente rodar o referido botão no sentido contrário ao dos ponteiros do relógio, cerca de 20% do valor regulado e verificar de seguida o correcto funcionamento do queimador.

Se o queimador se bloqueia de novo, rodar o botão um pouco mais, no sentido contrário ao dos ponteiros do relógio.

Atenção: normalmente, o pressostato de ar deve impedir que o CO nos fumos seja superior a 1% (10.000 p.p.m.).

Para o comprovar, introduzir um analisador de CO na chaminé, fechar lentamente a boca de aspiração do ventilador (p.ex. com um cartão) e verificar que o queimador se bloqueia antes que o CO nos fumos ultrapasse 1%.

O pressostato de ar instalado pode funcionar de maneira “diferencial”, se for ligado a dois tubos. Se existe uma grande depressão na câmara de combustão na fase de pré-ventilação pode ocorrer que o pressostato não feche o seu contacto, neste caso, colocar um tubinho entre o pressostato e a boca de aspiração do ventilador. Deste modo o pressostato funcionará como pressostato diferencial.

Atenção: o uso do pressostato de ar com funcionamento diferencial só é permitido em aplicações industriais e onde as normas permitam que o pressostato de ar controle só o funcionamento do ventilador, sem limite de referência no que respeita ao CO.

6 - PRESSOSTATO GÁS DE MÍNIMA (B)

O objetivo do pressostato de pressão mínima de gás é evitar que o queimador funcione inadequadamente devido a uma pressão de gás muito baixa.

Regular o pressostato de pressão mínima de gás (B) após ajustar o queimador, as válvulas de gás e o estabilizador da linha.

Com o queimador funcionando à potência máxima:

- instalar um manómetro a jusante do estabilizador da linha (por exemplo, na tomada de pressão do gás na cabeça de combustão do queimador);
- fechar lentamente a válvula manual de gás até o manómetro ler uma diminuição de pressão de cerca de 0,1 kPa (1 mbar). Nesta fase, monitorizar o valor de CO, que deve ser sempre inferior a 100 mg/kWh (93 ppm).
- Aumentar o ajuste do pressostato até ser acionado, gerando com isso o desligamento do queimador;
- retirar o manómetro e fechar a válvula da tomada de pressão utilizada para a medição;
- abrir completamente a válvula manual de gás.



1 kPa = 10 mbar

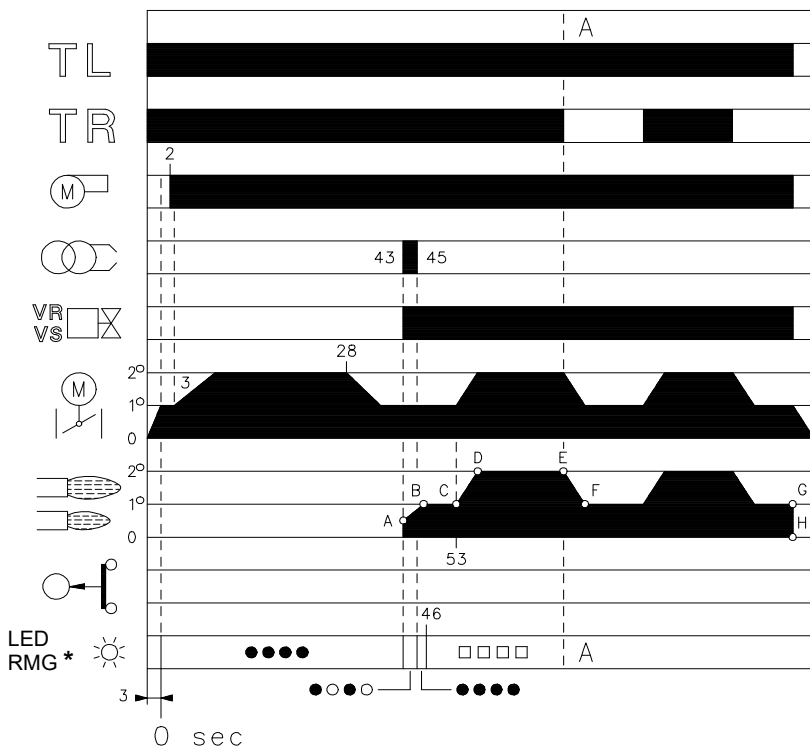
ATENÇÃO

CONTROLO DE PRESENÇA DE CHAMA (C)

O queimador está dotado de um sistema de ionização para controlar a presença da chama. A corrente mínima para o funcionamento da caixa de controlo é de 5 µA. O queimador gera uma corrente imediatamente superior, não precisando normalmente de nenhum controlo. No entanto, se desejar medir a corrente de ionização, é necessário desligar a ficha-tomada 23)(A)p.3 do cabo da sonda de ionização e ligar um microamperímetro de corrente contínua de escala baixa de 100 µA.

Atenção à polaridade.

ACENDIMENTO NORMAL (n° = segundos a partir do instante 0)

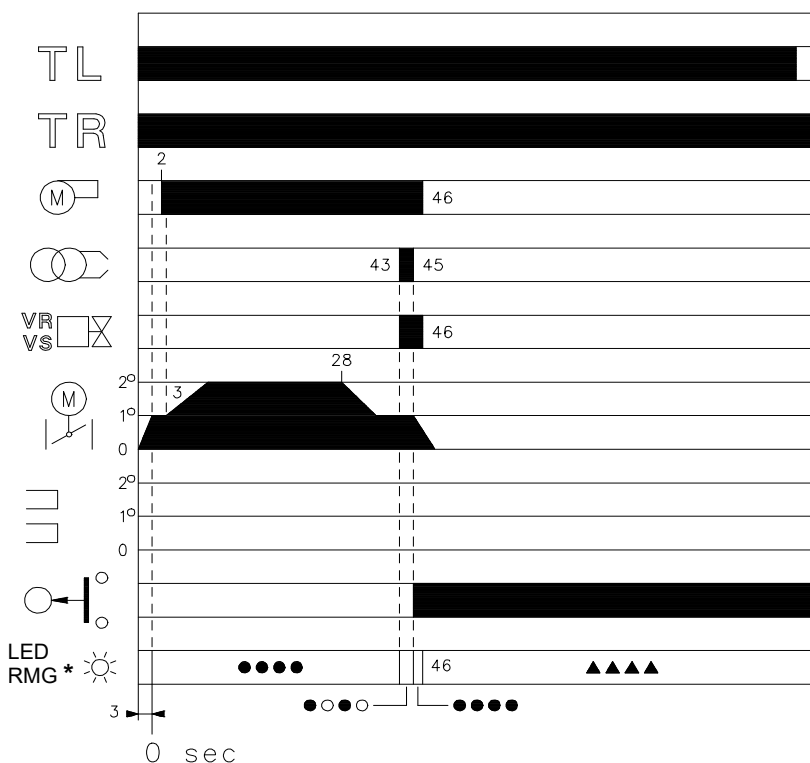


* ○ Apagado ● Amarelo □ Verde ▲ Vermelho
Para ulteriores informações ver pág. 16.

(A)

D3028

FALTA DE ACENDIMENTO



* ○ Apagado ● Amarelo ▲ Vermelho
Para ulteriores informações ver pág. 16.

(B)

D3029

FUNCIONAMENTO DO QUEIMADOR

ARRANQUE DO QUEIMADOR (A)

- : Fecha-se o TL.
Entra em funcionamento o servomotor: roda em abertura até atingir o ângulo escolhido com a came St1.
Passados cerca de 3s:
- 0 s : Inicia o programa da caixa de controle.
- 2 s : Entra em funcionamento o motor ventilador.
- 3 s : Entra em funcionamento o servomotor: roda em abertura até atingir a actuação de came St2.
A comporta de ar coloca-se na posição de potência 2ª chama.
Fase de pré-ventilação, com o caudal de ar da potência da 2ª chama.
Duração: 25 segundos.
- 28 s : Entra em funcionamento o servomotor: roda em fechamento até atingir o ângulo escolhido pela came St1.
- 43 s : A comporta de ar e a válvula de borboleta do gás estão na posição de potência de 1ª chama.
Gera-se faísca no eléctrodo de acendimento.
Abrem-se as electroválvulas de segurança VR e de regulação VS (abertura rápida). Acende-se a chama, com pouca potência, ponto A. Continua um progressivo aumento da potência, abertura lenta da electroválvula VR, até chegar à potência da 1ª chama, ponto B.
- 45 s : A faísca apaga-se.
- 53 s : Se o termostato TR está fechado ou substituído por um shunt, o servomotor roda até atingir a actuação da came St2 colocando a comporta de ar o de borboleta de gás na posição de 2ª chama, intervalo C-D.
Finaliza o ciclo de arranque da caixa de controle.

FUNCIONAMENTO A REGIME (A)

Finalizado o ciclo de arranque, o comando do servomotor passa ao termostato TR, que controla a pressão ou a temperatura da caldeira, ponto D.

(A caixa de controlo continua a controlar a presença de chama e a correcta posição do pressostato de ar).

- Quando a temperatura ou a pressão aumenta até à abertura do termostato TR, o servomotor fecha o registo de ar e de borboleta do gás passando o queimador da 2ª à 1ª chama, intervalo E-F).
- Quando a temperatura ou a pressão diminui até ao fecho do termostato TR, o servomotor abre o registo de ar e o de borboleta do gás passando o queimador da 1ª à 2ª chama. E assim sucessivamente.
- A paragem do queimador faz-se quando a procura de calor é inferior à gerada pelo queimador na 1ª chama (intervalo G-H). O termostato TL abre-se, o servomotor regressa ao ângulo 0º, limitado pelo contacto da came St0. A comporta fecha-se completamente para reduzir as perdas de calor ao mínimo.

Instalação sem termostato TR, substituído por uma ponte

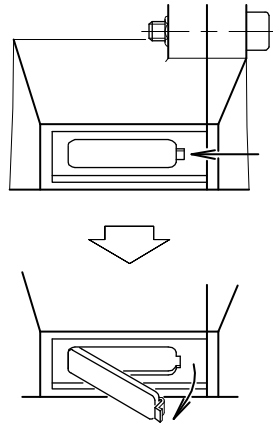
A entrada em funcionamento do queimador é da forma indicada anteriormente. Sucessivamente se a temperatura ou a pressão aumenta até à abertura do termostato TL, o queimador apaga-se (intervalo A-A do gráfico).

FALTA DE ACENDIMENTO (B)

Se o queimador não se acende, produz-se o bloqueio do mesmo ao fim de 3 segundos da abertura da válvula de gás e aos 49 segundos do fecho do termostato TL. Acende-se o led vermelho da caixa de controle.

APAGAR DA CHAMA DURANTE O FUNCIONAMENTO

Se a chama se apagar durante o funcionamento, o queimador bloqueia-se em 1 segundo.



(A)

D484

CONTROLO FINAL (com o queimador em funcionamento)

- Desligar um cabo do pressostato gás de mínima.
- Abrir o termóstato/pressostato TL.
- Abrir o termóstato/pressostato TS:

O queimador deve parar

- Desligar o tubo de adução ar ao pressostato.
- Desligar o fio da sonda de ionização:

o queimador deve bloquear-se

- Comprovar que os bloqueios mecânicos dos dispositivos de regulação estão bem apertados.

MANUTENÇÃO

O queimador requer uma manutenção periódica, que deve ser realizada por pessoal habilitado e em conformidade com as leis e normas locais.

A manutenção periódica é essencial para o bom funcionamento do queimador; essa reduz os consumos inúteis de combustível e reduz as emissões de poluentes no ambiente.

Antes de realizar qualquer operação de limpeza ou controlo, remover a alimentação eléctrica do queimador, actuando sobre o interruptor geral da instalação.

Combustão

Efectuar a análise dos gases de combustão que saem da caldeira. As diferenças significativas em relação à última análise indicarão os pontos onde deverão centrar-se as operações de manutenção.

Fugas de gás

Comprovar que não existem fugas de gás na conduta contador-queimador.

Filtro de gás

Substituir o cartucho filtrante quando estiver sujo.

Visor chama

Limpar o vidro do visor chama (A).

Cabeçal de combustão

Abrir o queimador e verificar que todas as partes do cabeçal de combustão estão intactas e não deformadas pelas altas temperaturas, não têm sujidade proveniente do ambiente e que estão correctamente posicionadas. Em caso de dúvidas, desmontar o cotovelo.

Servomotor

Libertar a came 4)(A)p.11 do servomotor, rodando de 90° o entalhe 2)(A)p.11 e controlar manualmente que sua rotação, para frente e para trás, seja deslizante.

Bloquear de novo a came 4)(A)p.11.

Queimador

Verificar que não há um desgaste anormal ou parafusos frouxos nos mecanismos que controlam a comporta do ar e a válvula de borboleta do gás. De igual modo, os parafusos que fixam os cabos na régua de terminais do queimador devem estar bem apertados.

Limpar exteriormente o queimador, em particular as rótulas e a came 4)(A)p.11.

Combustão

Regular o queimador se os valores da combustão obtidos no início da intervenção não cumprem as normas em vigor ou não correspondem a uma boa combustão.

Anotar numa ficha de controlo os novos valores da combustão; serão úteis para controlos sucessivos.

COMPONENTE DE SEGURANÇA	CICLO DE VIDA
Controlo de chama	10 anos ou 250.000 ciclos de funcionamento
Sensor de chama	10 anos ou 250.000 ciclos de funcionamento
Válvula de gás (tipo solenoide)	10 anos ou 250.000 ciclos de funcionamento
Pressostato	10 anos ou 250.000 ciclos de funcionamento
Regulador de pressão	15 anos
Servomotor (came eletrónico) (se estiver presente)	10 anos ou 250.000 ciclos de funcionamento
Válvula de óleo (tipo solenoide) (se presente)	10 anos ou 250.000 ciclos de funcionamento
Regulador de óleo (se presente)	10 anos ou 250.000 ciclos de funcionamento
Tubos de óleo / acessórios (metal) (se houver)	10 anos
Mangueiras flexíveis (se houver)	5 anos ou 30.000 ciclo em pressão
Impulsor do ventilador	10 anos ou 500.000 ignições

(A)

TESTE DE SEGURANÇA - COM FORNECIMENTO DE GÁS FECHADO

Para realizar o comissionamento com segurança, é muito importante verificar a correta execução das conexões elétricas entre as válvulas de gás e o queimador.

Para este fim, depois de verificar se as conexões foram realizadas de acordo com os diagramas elétricos do queimador, deve ser realizado um ciclo de inicialização com uma torneira de gás fechada (teste seco).

- 1 A válvula de gás manual deve ser fechada com um dispositivo de bloqueio / desbloqueio (procedimento "lock-out / tag out").
- 2 Certifique-se de fechar os contatos elétricos do limite do queimador
- 3 Certifique-se de que o contato do interruptor mínimo de pressão do gás esteja fechado
- 4 Prossiga com uma tentativa de iniciar o queimador.

O ciclo de inicialização deve ocorrer de acordo com as seguintes fases:

- Iniciar o motor do ventilador para pré-ventilação
- Execução da verificação da válvula de gás, se necessário.
- Conclusão da pré-ventilação
- Atingir o ponto de ignição
- Alimentação do transformador de ignição
- Alimentação das válvulas de gás.

Depois de fechado o gás, o queimador não poderá inflamar e seu equipamento de controle e entrará em uma condição de bloqueio de segurança ou paragem.

A alimentação efetiva das válvulas de gás pode ser verificada com um verificador; algumas válvulas estão equipadas com sinais de luz (ou indicadores de posição de fecho / abertura) que são ativados quando são alimentados.

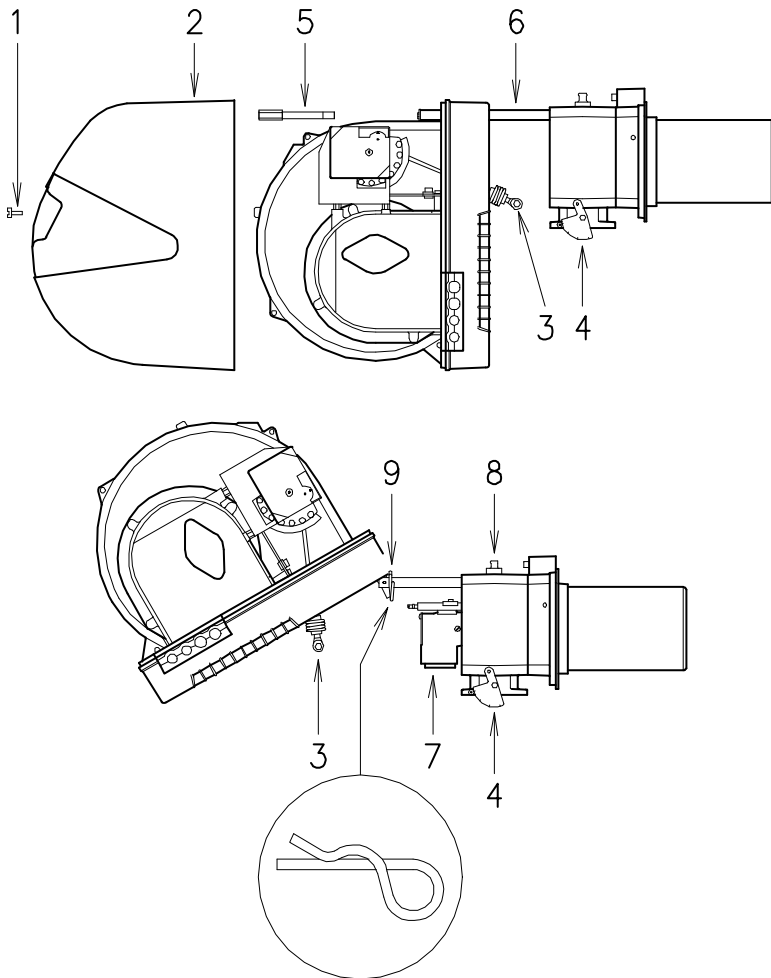
SE A ALIMENTAÇÃO ELÉTRICA DAS VÁLVULAS DE GÁS TEM MOMENTOS SEM EXPLORAÇÃO, NÃO ABRA A VÁLVULA MANUAL, RETIRE A ALIMENTAÇÃO, VERIFIQUE O FECHO; CORRIJA OS ERROS E EXECUTE NOVO TESTE.



COMPONENTES DE SEGURANÇA

Os componentes de segurança devem ser substituídos de acordo com o fim do ciclo de vida indicado em tab. (A). Os ciclos de vida especificados, não estão relacionados com o limite de garantia especificado nos termos de entrega ou pagamento.

ABERTURA DO QUEIMADOR



PARA ABRIR O QUEIMADOR (A):

- Cortar a corrente eléctrica.
- Aliviar o parafuso 1) e extrair a cobertura 2).
- Soltar a rótula 3) do sector graduado 4).
- Aliviar o parafuso 5) e a cavilha 9) e deslocar para trás o queimador nas guias 6) por aprox. 100 mm. Desinsérer os cabos de sonda e eléctrodo e portanto deslocar completamente para trás o queimador.
- Rodá-lo como se pode ver na figura e introduzir no orifício duma das duas guias o passador 9), de modo a que o queimador permaneça nesta posição.

Neste ponto é possível extrair o distribuidor de gás 7), depois de se ter desenroscado o parafuso 8).

PARA FECHAR O QUEIMADOR (A):

- Tirar o passador 9) e empurrar o queimador até que esteja a uns 100 mm do suporte do queimador.
- Voltar a ligar os cabos e deslocar o queimador até ao fim.
- Voltar a colocar o parafuso 5) e o passador 9) e, com cuidado, puxar os dois cabos da sonda e do eléctrodo para fora, até que fiquem sujeitos a uma ligeira tensão.
- Voltar a engancha a rótula 3) no sector graduado 4).

(A)

D535

DIAGNÓSTICO DO PROGRAMA DE ARRANQUE

As indicações que aparecem durante o programa de arranque, estão explicadas na seguinte tabela:

TABELA CÓDIGO COR	
Sequências	Código cor
Pré-ventilação	● ● ● ● ● ● ● ● ● ●
Fase de acendimento	● ○ ● ○ ● ○ ● ○ ●
Funcionamento com chama ok	□ □ □ □ □ □ □ □ □ □
Funcionamento com sinal de chama fraca	□ ○ □ ○ □ ○ □ ○ □
Alimentação eléctrica inferior a ~ 170V	● ▲ ● ▲ ● ▲ ● ▲ ●
Bloqueio	▲ ▲ ▲ ▲ ▲ ▲ ▲ ▲ ▲
Luz estranha	▲ □ ▲ □ ▲ □ ▲ □ ▲
Legenda:	○ Apagado ● Amarelo □ Verde ▲ Vermelho



ATENÇÃO

Em caso de paragem do queimador, para evitar danos à instalação, não desbloqueie o queimador mais que duas vezes em seguida. Se o queimador se bloquear pela terceira vez, entre em contacto com o serviço de assistência.



PERIGO

Se ocorrerem outros bloqueios ou anomalias do queimador, as intervenções devem ser realizadas exclusivamente por pessoal habilitado autorizado, de acordo com o relatado neste manual e em conformidade com as normas e disposições de lei vigentes.

DESBLOQUEIO DO EQUIPAMENTO E UTILIZAÇÃO DO DIAGNÓSTICO

O equipamento fornecido de série possui uma sua função de diagnóstico, por meio da qual é possível localizar facilmente as eventuais causas de mau funcionamento (sinalização: **LED VERMELHO**).

Para utilizar tal função, é necessário aguardar pelo menos 10 segundos após a colocação da segurança (**bloqueio**) e, em seguida, pressionar o botão de desbloqueio.

O equipamento cria uma sequência de impulsos (à distância de 1 segundo) que se repete a intervalos constantes de 3 segundos.

Visualizado o número de sinais intermitentes e identificada a provável causa, é necessário reiniciar o sistema, mantendo o botão pressionado por um período de tempo compreendido entre 1 e 3 segundos.

LED VERMELHO aceso aguardar pelo menos 10s	Premir desbloqueio por > 3s	Intervalo 3s	Impulsos	Impulsos
			● ● ● ● ● ● ● ● ● ●	● ● ● ● ● ● ● ● ● ●

A seguir, estão ilustrados os métodos possíveis para efectuar o desbloqueio do equipamento e para a utilização do diagnóstico.

DESBLOQUEIO DO EQUIPAMENTO

Para efectuar o desbloqueio do equipamento, agir como segue:

- Premir o botão por um período de tempo compreendido entre 1 e 3 segundos.
O queimador arranca após uma pausa de 2 segundos depois de se ter largado o botão.
- No caso em que o queimador não arranque é necessário verificar o fechamento do termóstato limite.

DIAGNÓSTICO VISUAL

Indica o tipo de defeito do queimador que determina o bloqueio do mesmo.

Para visualizar o diagnóstico, agir como segue:

- Com o led vermelho fixo (bloqueio do queimador), manter premido o botão por mais de 3 segundos.
O fim da operação será indicado pelo acender de um led amarelo intermitente.
Soltar o botão após o piscar do led. O número de sinais intermitentes evidencia a causa do mau funcionamento de acordo com a codificação indicada na tabela de pág. 18.

DIAGNÓSTICO SOFTWARE

Fornece a análise da vida do queimador por meio da conexão óptica ao PC, indicado as relativas horas de funcionamento, número e tipos de bloqueios, número de série do equipamento etc...

Para visualizar o diagnóstico, agir como segue:

- Com o led vermelho fixo (bloqueio do queimador), manter premido o botão por mais de 3 segundos.
O fim da operação será indicado pelo acender de um led amarelo intermitente.
Soltar o botão por 1 segundo e em seguida, voltar a premi-lo por mais de 3 segundos até à visualização de um ulterior piscar amarelo.
Quando se solta o botão, o led vermelho irá piscar em modo intermitente com frequência elevada: só nessa altura será possível inserir a conexão óptica.

Uma vez executadas as operações, é necessário restabelecer o estado inicial do equipamento por meio do procedimento de desbloqueio acima descrito.

PRESSÃO NO BOTÃO	ESTADO DO EQUIPAMENTO
De 1 a 3 segundos	Desbloqueio do equipamento sem visualização do diagnóstico visual.
Mais de 3 segundos	Diagnóstico visual da condição de bloqueio: (piscar do led com intermitência de 1 segundo).
Mais de 3 segundos a partir da condição de diagnóstico visual	Diagnóstico software com auxílio de interface óptica e PC (possibilidade de visualização das horas de funcionamento, das anomalias, etc.)

A sequência dos impulsos emitidos pelo equipamento identifica os possíveis tipos de avaria que são ilustrados na tabela de pág. 18.

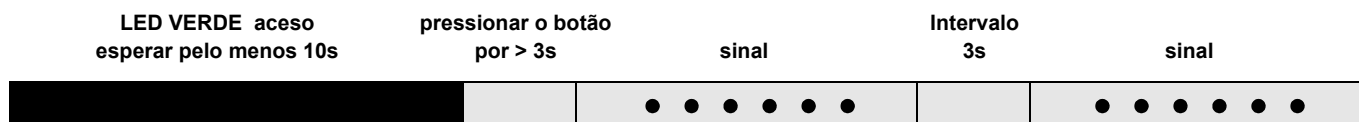
Sinal	Anomalia	Causa provável	Solução
2 sinais intermitentes ● ●	Superada a pré-ventilação e o tempo de segurança, o queimador bloqueia-se sem que apareça a chama.	1 - A electroválvula de funcionamento faz passar pouco gás. 2 - Uma das electroválvulas não se abre. 3 - Pressão de gás demasiado baixa 4 - Eléctrodo de acendimento mal regulado 5 - Eléctrodo à massa por rotura do isolamento 6 - Cabo de alta tensão defeituoso 7 - Cabo de alta tensão deformado pela alta temperatura 8 - Transformador de acendimento defeituoso 9 - Ligações eléctricas válvulas ou transformador incorrectos 10 - Caixa de controlo defeituosa 11 - Uma válvula antes da linha de gás, fechada 12 - Ar nas tubagens 13 - Válvulas gás não ligadas ou bobina interrompida	Aumentá-lo Substituir Aumentá-la no regulador Regulá-lo, ver Fig. (D) pág. 6 Substituí-lo Substituí-lo Substituí-lo e protegê-lo Substituí-lo Comprová-los Substituí-la Abri-la Purgá-lo Verificar ligações ou substituir bobina
3 sinais intermitentes ● ● ●	O queimador não arranca e acontece o bloqueio O queimador arranca mas bloqueia-se de imediato Bloqueio durante o pré-ventilação	14 - O pressóstato de ar em posição de funcionamento - O pressóstato de ar não comuta por pressão de ar insuficiente: 15 - Pressóstato de ar mal regulado 16 - Tubo tomada pressão ar do pressóstato obstruído 17 - Cabeçal mal regulado 18 - Alta pressão na câmara de combustão 19 - Contador do comando motor defeituoso (somente versão trifásica) 20 - Motor eléctrico defeituoso 21 - Bloqueio do motor (somente versão trifásica)	Regulá-lo ou substituí-lo Regulá-lo ou substituí-lo Limpá-lo Regulá-lo Ligar pressóstato de ar à aspiração do ventilador Substituí-lo Substituí-lo Substituí-lo
4 sinais intermitentes ● ● ● ●	O queimador arranca mas bloqueia-se de imediato Bloqueio ao parar o queimador	22 - Simulação de chama 23 - Há chama no cabeçal de combustão ou simulação de chama	Substituir a caixa de controlo Eliminar a chama ou substituir a caixa de controlo
6 sinais intermitentes ● ● ● ● ● ●	O queimador arranca mas bloqueia-se de imediato	24 - Servomotor defeituoso ou mal regulado	Regulá-lo ou substituí-lo
7 sinais intermitentes ● ● ● ● ● ● ●	O queimador bloqueia-se logo depois que aparece a chama Bloqueio do queimador na passagem entre 1a e 2a chama ou entre 2a e 1a chama Em funcionamento, o queimador bloqueia-se	25 - A electroválvula de funcionamento faz passar pouco gás 26 - Sonda de ionização mau regulada 27 - Ionização insuficiente (inferior a 5 A) 28 - Sonda à massa 29 - Terra defeituosa 30 - Fase e neutro invertidos 31 - Avaria do circuito de observação da chama 32 - Demasiado ar ou pouco gás 33 - Sonda ou cabo de ionização à massa	Aumentá-lo Regulá-lo, ver Fig. (D) pág. 6 Verificar a posição da sonda Separá-la ou substituir o cabo Rever tomada de terra Inverter Substituir a caixa de controlo Regular ar o gás Substituir a(s) peça(s) deteriorada(s)
10 sinais intermitentes ● ● ● ● ● ● ● ● ● ●	O queimador não arranca e acontece o bloqueio O queimador bloqueia-se	34 - Ligações eléctricas incorrectas 35 - Caixa de controlo defeituosa 36 - Presença de distúrbios electromagnéticos sobre as linhas dos termóstatos 37 - Presença de distúrbios electromagnéticos	Comprová-los Substituí-la Filtrá-los ou eliminá-los Utilizar o kit protecção contra as rádio-interferências
Nenhum sinal intermitente	O queimador não arranca O queimador continua a repetir o ciclo de arranque sem se bloquear Acendimento com pulsações O queimador não funciona em 2a chama O queimador fica com o registo de ar aberto	38 - Falta corrente eléctrica 39 - Um termóstato de regulação ou de segurança aberto 40 - Fusível de linha de controlo fundido 41 - Caixa de controlo defeituosa 42 - Falta de gás 43 - Pressão de gás na rede insuficiente 44 - O pressóstato de gás de mínima não fecha 45 - Servomotor não vai à posição de mín. acendimento 46 - A pressão do gás na rede está próxima do valor ao qual está regulado o pressóstato gás de mínima. A queda repentina de pressão que se tem quando se abre a válvula provoca a abertura do próprio pressóstato, razão pela qual a válvula se fecha imediatamente e o motor pára. A pressão volta a aumentar, o pressóstato fecha e faz com que o ciclo de arranque se repita. E assim sucessivamente. 47 - Cabeçal mal regulado 48 - Eléctrodo de acendimento mal regulado 49 - Registo ventilador mal regulado; demasiado ar 50 - Potência de acendimento demasiado elevada 51 - Controlo remoto TR não fecha 52 - Caixa de controlo defeituosa 53 - Servomotor defeituoso 54 - Servomotor defeituoso	Fechar interruptores Controlar ligações eléctricas Regulá-lo ou substituí-lo Substituí-lo Substituí-la Abrir válvulas manuais entre o contador e a linha Contacte a COMPANHIA DO GÁS Regulá-lo ou substituí-lo Substituí-lo Reduzir a pressão de intervenção do pressóstato de gás de mínima. Substituir a cartucho do filtro de gás. Regular. Ver página 7. Regulá-lo, ver Fig. (D) pág. 6 Regulá-lo Reduzi-la Regulá-lo ou substituí-lo Substituí-la Substituí-lo Substituí-lo

FUNCIONAMENTO NORMAL / TEMPO DE OBSERVAÇÃO DA CHAMA

A caixa de controlo possui uma ulterior função, através da qual é possível verificar o correcto funcionamento do queimador (sinalização: **LED VERDE** permanentemente aceso).

Para utilizar tal função é necessário esperar pelo menos dez segundos desde o acendimento do queimador e pressionar o botão da caixa de controlo por um tempo mínimo de três segundos.

Logo o botão, o LED VERDE começará a piscar, como ilustrado na figura abaixo.



As pulsações do LED constituem sinais com intervalos de cerca de 3 segundos.

O número de pulsações indicará o TEMPO DE OBSERVAÇÃO da sonda desde a abertura das válvulas de gás, segundo a tabela seguinte.

SINAL	TEMPO DE OBSERVAÇÃO DA CHAMA
1 sinal intermitente ●	0.4 s
2 sinais intermitentes ● ●	0.8 s
6 sinais intermitentes ● ● ● ● ● ●	2.8 s

A cada arranque do queimador, este dado é actualizado. Realizada a leitura, pressionando brevemente o botão da caixa de controlo, o queimador repete o ciclo de arranque.

ATENÇÃO

Se se obtém um tempo > 2 s tem-se o acendimento atrasado.

Verificar a regulação do travão hidráulico na válvula de gás e regular o registo de ar e o cabeçal de combustão.

ACESSÓRIOS (por encomenda):

• KIT PROTECÇÃO CONTRA AS RÁDIO-INTERFERÊNCIAS

No caso de instalação do queimador em ambientes especiais sujeitos a rádio-interferências (emissão de sinais superiores a 10 V/m) devido a presença de INVERTER ou em aplicações onde os comprimentos das conexões do termóstato superem os 20 metros, está disponível um kit de protecção como interface entre a aparelhagem e o queimador.

QUEIMADOR	RS 64 MZ
	Cód. 3010386

• **KIT PARA FUNCIONAMENTO COM GPL:** o kit permite que os queimadores RS 64 MZ funcionem com GPL.

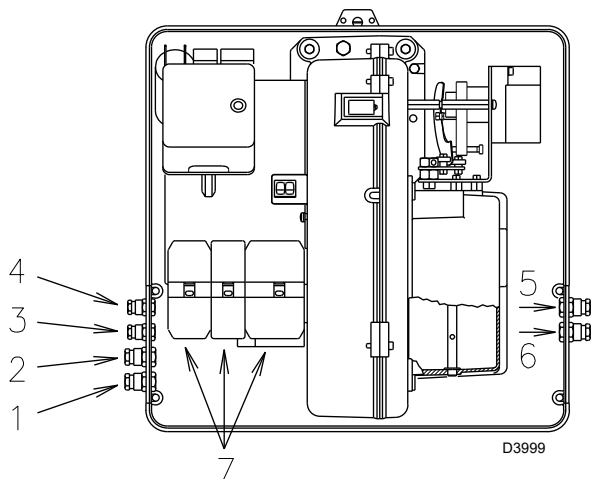
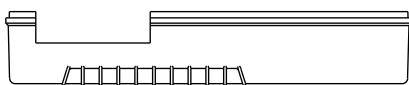
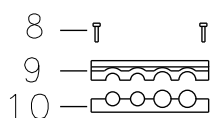
Potência kW	400 - 920	
Comprimento do tubo de fogo mm	250	385
	Cód. 3010434	Cód. 3010435

• KIT CABEÇA COMPRIDA	Cód. 3010427
• KIT CONTACTOS LIMPOS	Cód. 3010419
• INTERRUPTOR DIFERENCIAL	Cód. 3010321
• KIT INTERFACE ADAPTER RMG TO PC	Cód. 3002719

• **LINHAS DE GÁS A EMPARELHAR AO QUEIMADOR, EM CONFORMIDADE COM A NORMA 676 (completa, com válvulas, regulação da pressão e filtro):** ver na página 8.

NOTA: O instalador é responsável pela eventual incorporação de dispositivos de segurança não previstos neste manual.

APÊNDICE



Ligações eléctricas



NOTAS

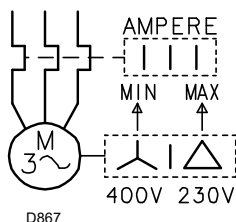
As ligações eléctricas devem ser realizadas por pessoal qualificado e em conformidade com as normas em vigor no país de destino e por pessoal qualificado. Riello S.p.A. declina toda a responsabilidade que derive de modificações ou ligações diferentes das representadas nestes esquemas.

Usar cabos flexíveis conforme a norma EN 60 335-1:

Todos os cabos a ligar ao queimador devem ser feitos passar pelos passacabos.

Os passacabos podem ser utilizados de várias formas; como exemplo, indicamos a seguinte forma:

- | | |
|---------|---|
| 1-Pg 11 | Alimentação trifásica |
| 2-Pg 11 | Alimentação monofásica |
| 3-Pg 9 | TL |
| 4-Pg 9 | Controlo remoto TR ou sonda (RWF40) |
| 5-Pg 11 | Válvulas de gás |
| 6-Pg 11 | Pressostato gás ou controlo estanquidade válvulas |



CALIBRAGEM RELÉ TÉRMICO

Serve para evitar que o motor se queime por um forte aumento do consumo devido à ausência de uma fase.

- Se o motor é alimentado em estrela, **400 V**, o cursor deve ser colocado em "MIN".
- Se o motor é alimentado em triângulo, **230 V**, o cursor deve ser colocado em "MAX".

Se a escala do relé térmico não compreende o consumo nominal do motor a 400 V, a protecção está igualmente assegurada.

NOTA

- O modelo RL 64 MZ trifásico deixa a fábrica previsto para alimentação eléctrica **400V**. Se a alimentação for de **230 V**, alterar a ligação do motor (de estrela a triângulo) e a regulação do relé térmico.
- Os queimadores RS 64 MZ foram homologados para funcionar de modo intermitente. Isto significa que devem parar "por Norma" pelo menos uma vez cada 24 horas para permitir que a caixa de controlo faça uma verificação da eficácia ao arranque. Normalmente a paragem do queimador é garantida pelo termóstato/pressostato da caldeira. Se assim não for, deverá colocar em série com o interruptor IN, um interruptor horário que pare o queimador pelo menos uma vez cada 24 horas.
- Os queimadores RS 64 MZ deixam a fábrica predispostos para funcionamento a duas chamas e, portanto, deve ser ligado o termóstato/pressostato TR. Se desejar, em vez, que o queimador tenha um funcionamento a uma chama, inserir, em substituição do termóstato/pressostato TR, uma ponte entre os terminais T6 - T8 da ficha X4.



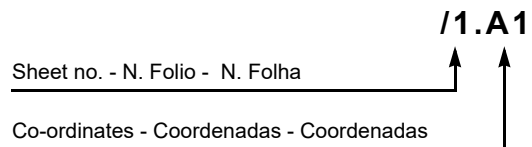
ATENÇÃO:

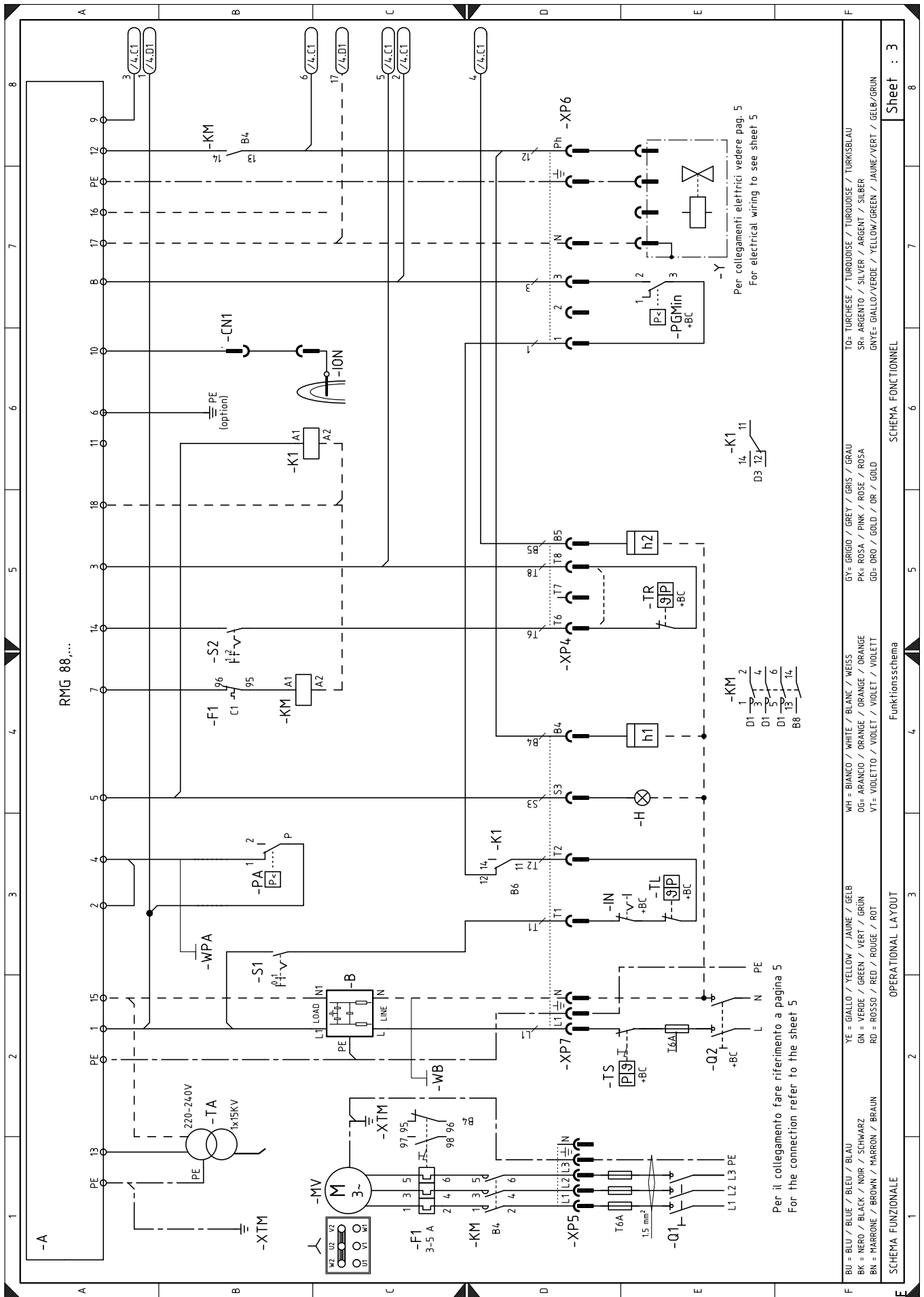
- Não inverter o neutro com a fase na linha de alimentação eléctrica. A eventual inversão poderia determinar uma paragem em bloqueio por falta de acendimento.
- Substituir os componentes unicamente com peças sobresselentes originais.

Electrical panel layout - Esquema cuadro eléctrico
Esquema quadro eléctrico

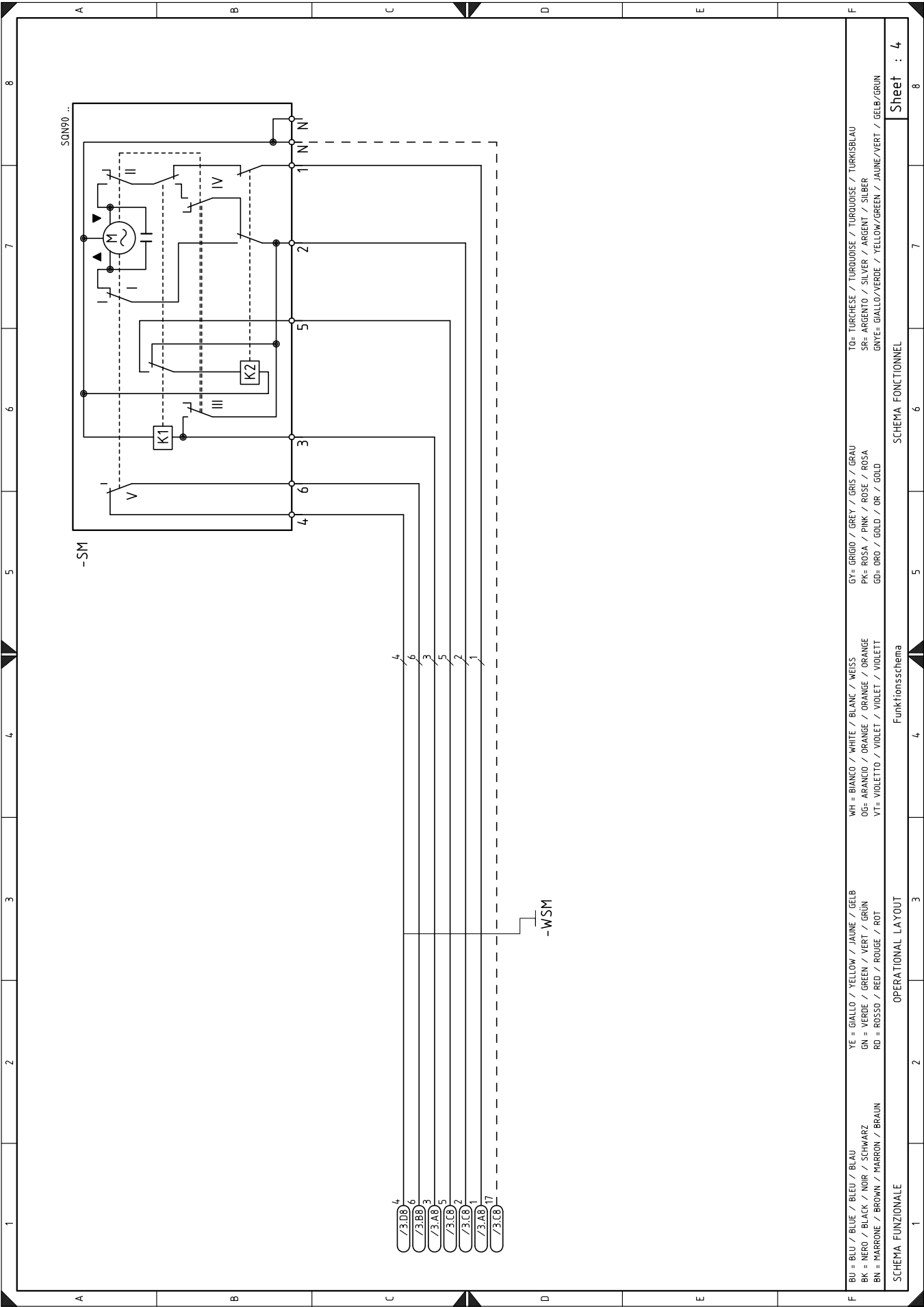
1	INDEX - ÍNDICE - ÍNDICE
2	Indication of references - Indicación referencias Indicação das referências
3	Functional layout - Esquema funcional Esquema funcional
4	Functional layout - Esquema funcional Esquema funcional
5	Electrical wiring is the responsibility of the installation engineer - Conexiones eléctricas a cargo del instalador - Ligações eléctricas pelo instalador

2 **Indication of references - Indicación referencias - Indicação das referências**

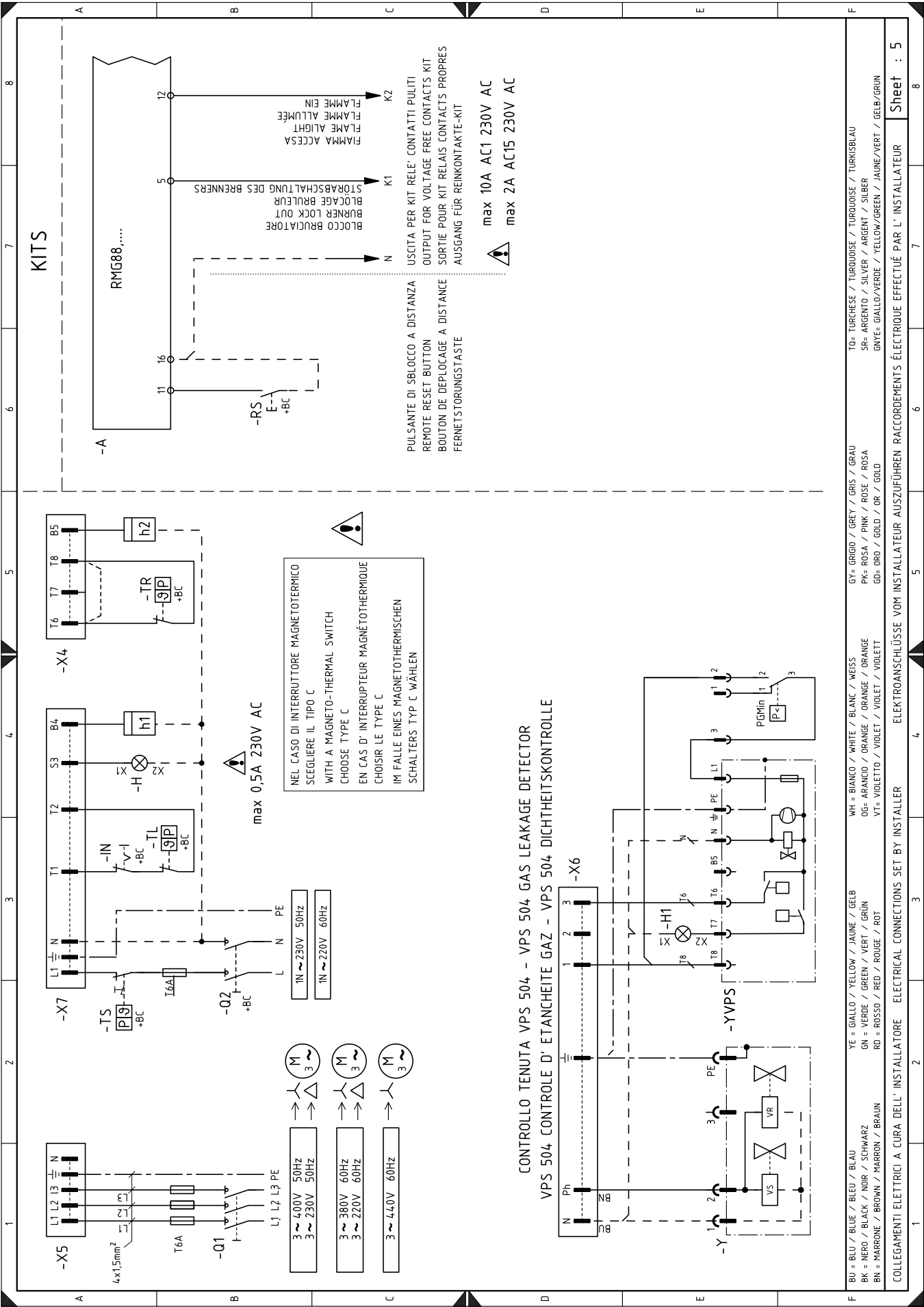




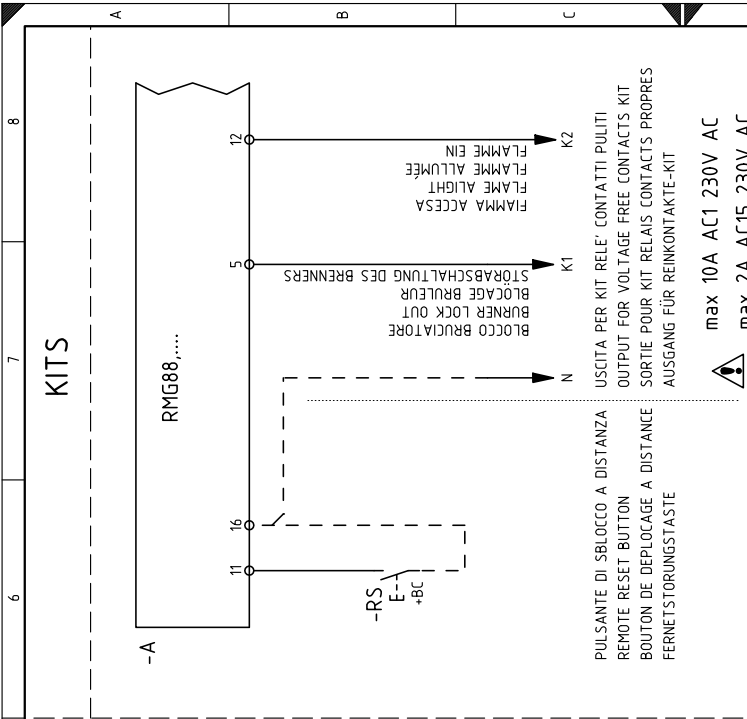
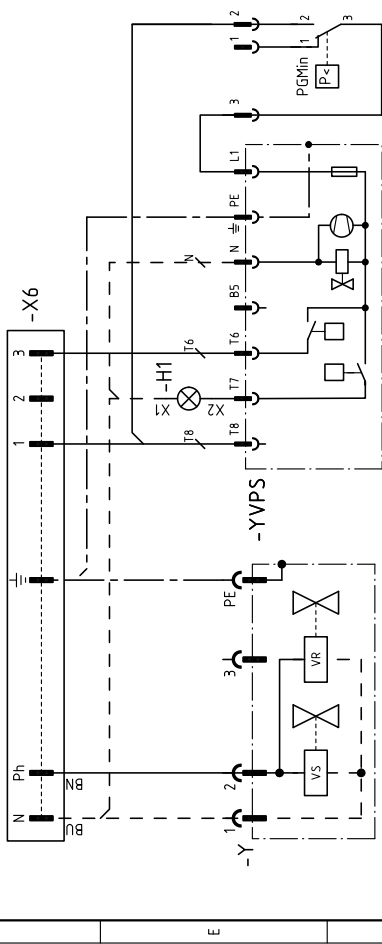
SCHEMA FUNZIONALE		OPERATIONAL LAYOUT		Funktionschema		SCHEMA FONCTIONNEL	
BU = BLU / BLUE / BLEU / BLEU	YE = GIALLO / YELLOW / JAUNE / GELB	WH = BIANCO / WHITE / BLANC / WEISS	GR = GRIGIO / GREY / GRIS / GRAU	TY = TURCOISE / TURQUOISE / TURQUOISE	TURKISBLAU	SR = ARGENTO / SILVER / ARGENT / SILBER	GNY = GIALLO/VERDE / YELLOW/GREEN / JAUNE/VERT / GELB/GRÜN
BK = NERO / BLACK / NOIR / SCHWARZ	GN = VERDE / GREEN / VERT / GRÜN	OG = ARANCIO / ORANGE / ORANGE / ORANGE	PK = ROSA / PINK / ROSE / ROSA	SR = ARGENTO / SILVER / ARGENT / SILBER	TURKISBLAU	GNY = GIALLO/VERDE / YELLOW/GREEN / JAUNE/VERT / GELB/GRÜN	
BN = MARRONE / BROWN / MARRON / BRAUN	RD = ROSSO / RED / ROUGE / ROT	VI = VIOLETTA / VIOLET / VIOLET / VIOLETT	GD = ORO / GOLD / OR / GOLD	GR = GRIGIO / GREY / GRIS / GRAU	GRIS / GRAU		



BU = BLU / BLUE / BLEU / BLAU	YE = GIALLO / YELLOW / JAUNE / GELB	WH = BIANCO / WHITE / BLANC / WEISS	GY = GRIGIO / GREY / GRIS / GRAU	TO = TURCHESE / TURQUOISE / TURQUOISE / TURKISBLAU
BK = NERO / BLACK / NOIR / SCHWARZ	GN = VERDE / GREEN / VERT / GRÜN	OG = ARANCIO / ORANGE / ORANGE / ORANGE	PK = ROSA / PINK / ROSE / ROSA	SR = ARGENTO / SILVER / ARGENT / SILBER
BN = MARRONE / BROWN / MARRON / BRAUN	RD = ROSSO / RED / ROUGE / ROT	VI = VIOLETTA / VIOLET / VIOLET / VIOLETT	GD = ORO / GOLD / OR / GOLD	GNV = GIALLO/VERDE / YELLOW/GREEN / JAUNE/VERT / GELB/GRÜN
SCHEMA FUNZIONALE				
OPERATIONAL LAYOUT				
Funktionschema				
SCHEMA FONCTIONNEL				
				Sheet : 4



CONTROLLO TENUTA VPS 504 - VPS 504 GAS LEAKAGE DETECTOR
VPS 504 CONTROLLE D' ETANCHEITE GAZ - VPS 504 DICHTHEITSKONTROLLE



BU = BLU / BLUE / BLEU / BLAU	WH = BIANCO / WHITE / BLANC / WEISS	GY = GRIGIO / GREY / GRIS / GRAU	TO = TURCHESE / TURQUOISE / TURKOISE / TURKISBLAU
BK = NERO / BLACK / NOIR / SCHWARZ	OG = ARANCIO / ORANGE / ORANGE / ORANGE	PK = ROSA / PINK / ROSE / ROSA	SR = ARGENTO / SILVER / ARGENT / SILBER
BN = MARRONE / BROWN / MARRON / BRAUN	VI = VIOLETTA / VIOLET / VIOLET / VIOLETT	GD = ORO / GOLD / OR / GOLD	GN = GIALLO/VERDE / YELLOW/GREEN / JAUNE/VERT / GELB/GRÜN
YE = GIALLO / YELLOW / JAUNE / GELB	WH = BIANCO / WHITE / BLANC / WEISS		
GN = VERDE / GREEN / VERT / GRÜN			
RD = ROSSO / RED / ROUGE / ROT			

COLLEGAMENTI ELETTRICI A CURA DELL' INSTALLATORE ELECTRICAL CONNECTIONS SET BY INSTALLER ELEKTROANSCHLÜSSE VOM INSTALLATEUR RACCORDERENTS ÉLECTRIQUE EFFECTUÉE PAR L' INSTALLATEUR

Sheet : 5

KEY TO ELECTRICAL LAYOUT

A	- Electrical control box
B	- Radio noise filter
+BB	- Components on burners
+BC	- Components on boiler
CN1	- Ionisation probe connector
F1	- Fan motor thermal relay
H	- Remote lockout signalling
H1	- Lockout YVPS
IN	- Manual burner stop switch
ION	- Ionisation probe
h1	- Hour counter
h2	- Second stage hour counter
K1	- Relay
KM	- Motor contact maker
MV	- Fan motor
PA	- Air pressure switch
PGMin	- Low gas pressure switch
Q1	- Three phase knife switch
Q2	- Single-phase knife switch
RS	- Remote reset button
SM	- Servomotor
S1	- Switch: burner off - on
S2	- Switch: 1st - 2nd stage operation
TA	- Ignition transformer
TL	- Limit thermostat/pressure switch
TR	- Adjustment thermostat/pressure switch
TS	- Safety thermostat/pressure switch
Y	- Gas regulation valve + gas safety valve
YVPS	- Gas valve leak detection control device
XP4	- 4-pole socket
XP5	- 5-pole socket
XP6	- 6-pole socket
XP7	- 7-pole socket
XTM	- Shelf earth
X4	- 4-pin plug
X5	- 5-pin plug
X6	- 6-pin plug
X7	- 7-pin plug

LEYENDA ESQUEMAS ELÉCTRICOS

A	- Caja de control eléctrica
B	- Filtro antiinterferencias radio
+BB	- Componentes a bordo de los quemadores
+BC	- Componentes a bordo de la caldera
CN1	- Conector para sonda de ionización
F1	- Relé térmico motor ventilador
H	- Señalización de bloqueo a distancia
H1	- Bloqueo YVPS
IN	- Interruptor parada manual del quemador
ION	- Sonda de ionización
h1	- Cuentahoras
h2	- Cuentahoras 2 Llamas
K1	- Relé
KM	- Contador motor
MV	- Motor ventilador
PA	- Presostato aire
PGMin	- Presostato gas de mínima
Q1	- Interruptor seccionador trifásico
Q2	- Interruptor seccionador monofásico
RS	- Botón de desbloqueo quemador a distancia
SM	- Servomotor
S1	- Selector apagado / encendido
S2	- Selector 1 - 2 Llamas
TA	- Transformador de encendido
TL	- Termostato/presostato de límite
TR	- Termostato/presostato de regulación
TS	- Termostato/presostato de seguridad
Y	- Válvula de regulación gas + válvula de seguridad gas
YVPS	- Dispositivo de control de estanqueidad válvula gas
XP4	- Conector hembra de 4 contactos
XP5	- Conector hembra de 5 contactos
XP6	- Conector hembra de 6 contactos
XP7	- Conector hembra de 7 contactos
XTM	- Tierra ménsula
X4	- Conector macho de 4 contactos
X5	- Conector macho de 5 contactos
X6	- Conector macho de 6 contactos
X7	- Conector macho de 7 contactos

LEGENDA ESQUEMAS ELÉCTRICOS

A	- Caja de controlo eléctrica
B	- Filtro contra radio-interferências
+BB	- Componentes bordo queimadores
+BC	- Componentes bordo caldera
CN1	- Conector sonda de ionização
F1	- Relé térmico motor ventilador
H	- Sinalização de bloqueio remoto
H1	- Bloqueio YVPS
IN	- Interruptor paragem manual queimador
ION	- Sonda de ionização
h1	- Conta-horas
h2	- Conta-horas 2ª chama
K1	- Relé
KM	- Contactador motor
MV	- Motor ventilador
PA	- Pressostato de ar
PGMin	- Pressostato gás de mínima
Q1	- Interruptor seccionador trifásico
Q2	- Interruptor seccionador monofásico
RS	- Botão de desbloqueio queimador a distância
SM	- Servomotor
S1	- Selector desligado / apagado
S2	- Selector 1ª- 2ª chama
TA	- Transformador de acendimento
TL	- Termóstato/pressostato de limite
TR	- Termóstato/pressostato de regulação
TS	- Termóstato/pressostato de segurança
Y	- Válvula de regulação gás + válvula de segurança gás
YVPS	- Dispositivo de controlo de estanquidade das válvulas gás
XP4	- Tomada de 4 pólos
XP5	- Tomada de 5 pólos
XP6	- Tomada de 6 pólos
XP7	- Tomada de 7 pólos
XTM	- Terra consola
X4	- Ficha de 4 pólos
X5	- Ficha de 5 pólos
X6	- Ficha de 6 pólos
X7	- Ficha de 7 pólos

RIELLO

RIELLO S.p.A.
I-37045 Legnago (VR)
Tel.: +39.0442.630111
[http:// www.riello.it](http://www.riello.it)
[http:// www.riello.com](http://www.riello.com)